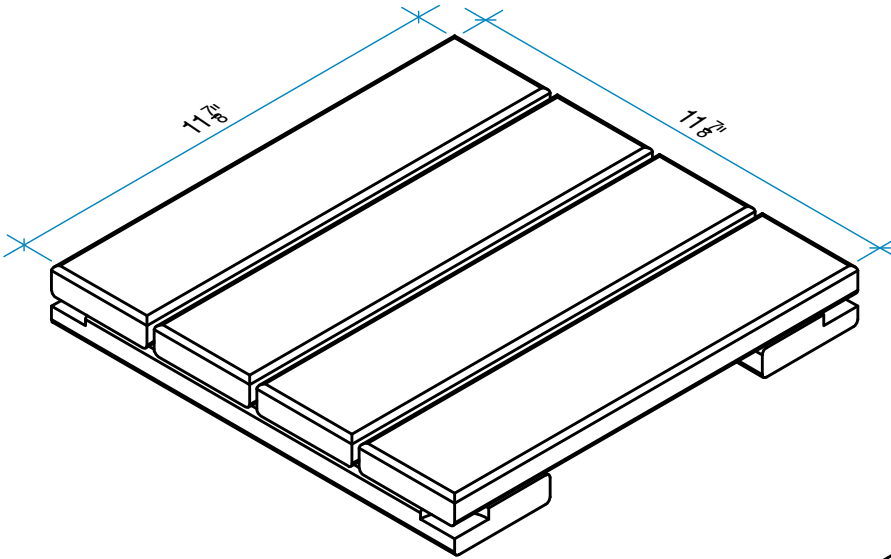
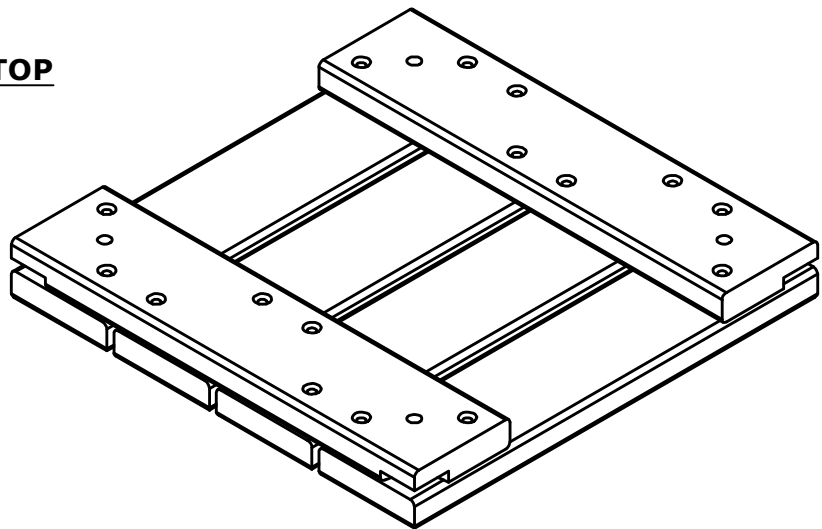


# TROPICAL



**ISOMETRIC: TOP**



**ISOMETRIC: BOTTOM**

- 1) REGARDLESS OF WOOD SPECIES, ALL WOOD MATERIALS USED IN THE PRODUCTION OF TILES MUST BE PREMIUM SELECT ARCHITECTURAL GRADE AS PER TFP GRADING RULES INCLUDING ALLOWABLE SLOPE OF GRAIN.
- 2) ALL SLATS USED IN THE PRODUCTION OF *Tropical Forest Products* DECK TILES MUST BE FREE FROM REVERSE GRAIN.
- 3) ALL WOOD MATERIALS USED IN THE PRODUCTION OF *Tropical Forest Products* DECK TILES MUST BE KILN DRIED TO A MOISTURE CONTENT BETWEEN 12 AND 14%.
- 4) ALL SCREWS USED IN THE PRODUCTION OF WOOD DECK TILES MUST BE STAINLESS STEEL 305 OR 316 GRADE.
- 5) ALL BUTT ENDS OF DECK SLATS MUST HAVE A RADIUS AS PER PRODUCTION DRAWINGS.
- 6) ALL BUTT ENDS OF DECK SLATS MUST BE END SEALED WITH A WAX SOLUTION. THERE MUST BE NO END WAX ON THE FACE OF DECK SLATS.
- 7) ALL DECK TILES MUST BE PACKAGED AS PER TROPICAL FOREST PACKAGING SPECIFICATIONS
- 8) ALL DECK TILES MUST BE MARKED BY INK STAMP OR STICKER 'KILN DRIED / PRODUCT OF BRAZIL'

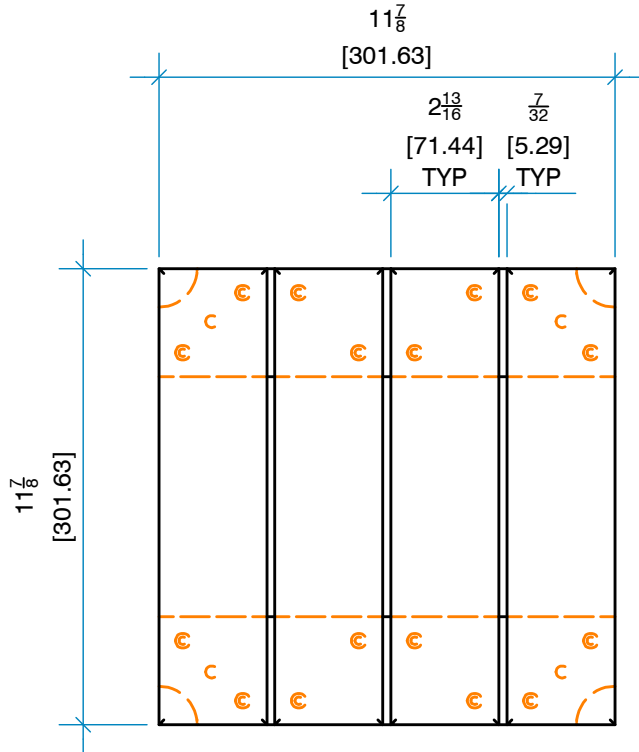
DT1212

Deck Tile 1.5 Thick 12 Wide x 12 Long (net 11 7/8 x 11 7/8)

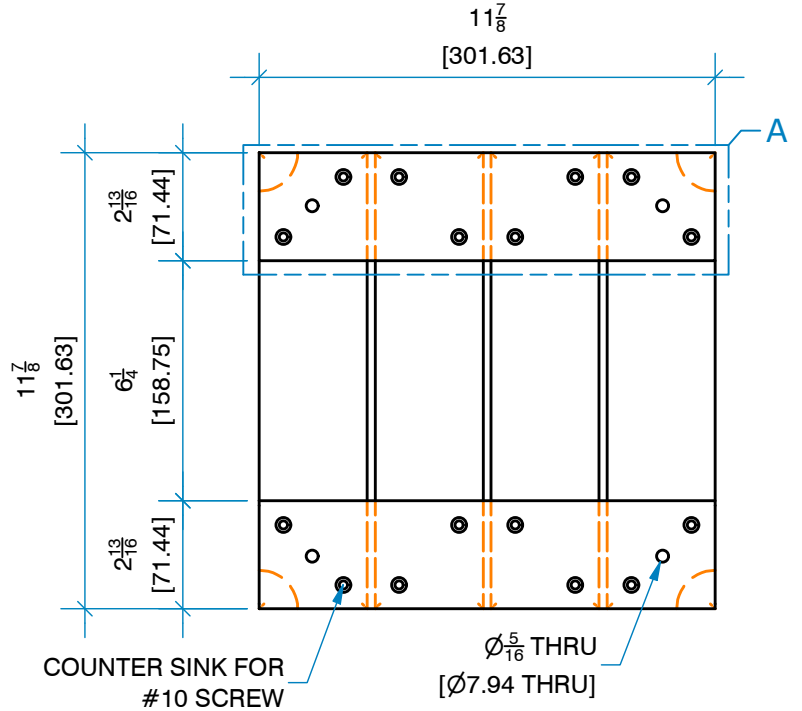
Sheet#: 1  
REV# 1  
ISSUE DATE: 11/13/2021  
TFP3261001.idw



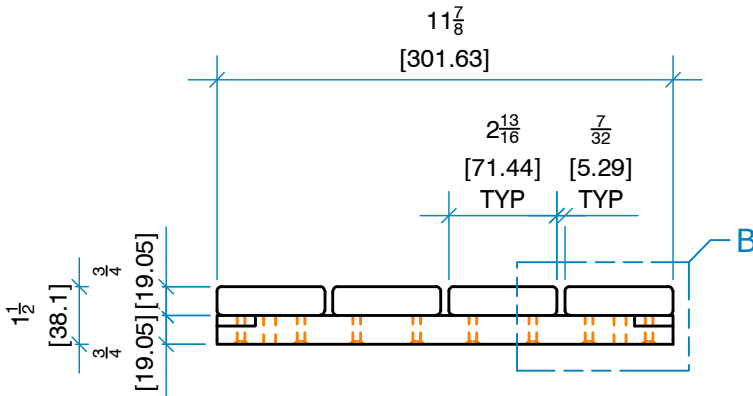
# TROPICAL



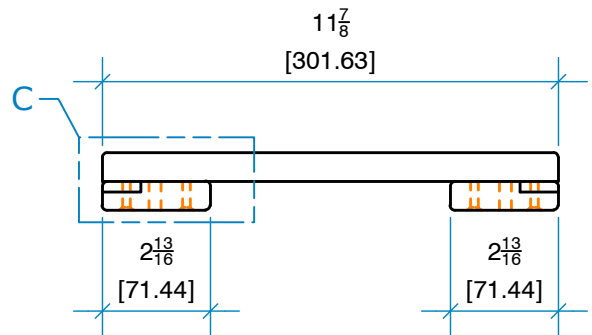
**TOP VIEW**



**BOTTOM VIEW**



**FRONT VIEW**



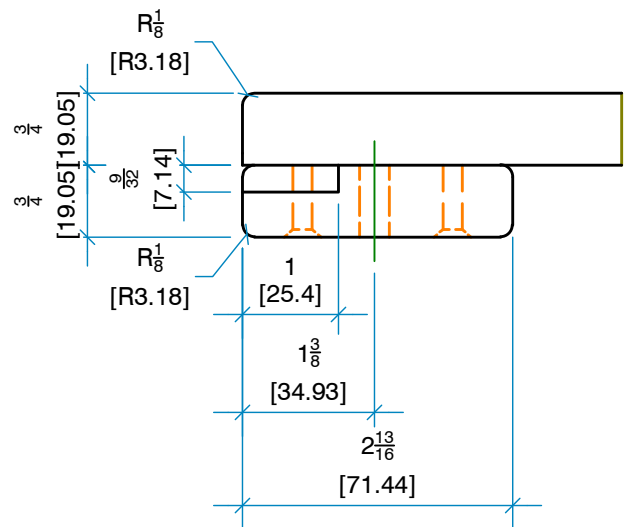
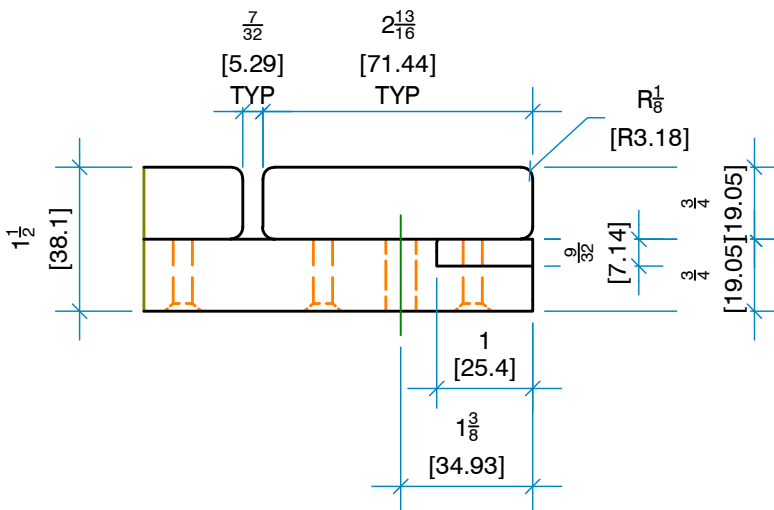
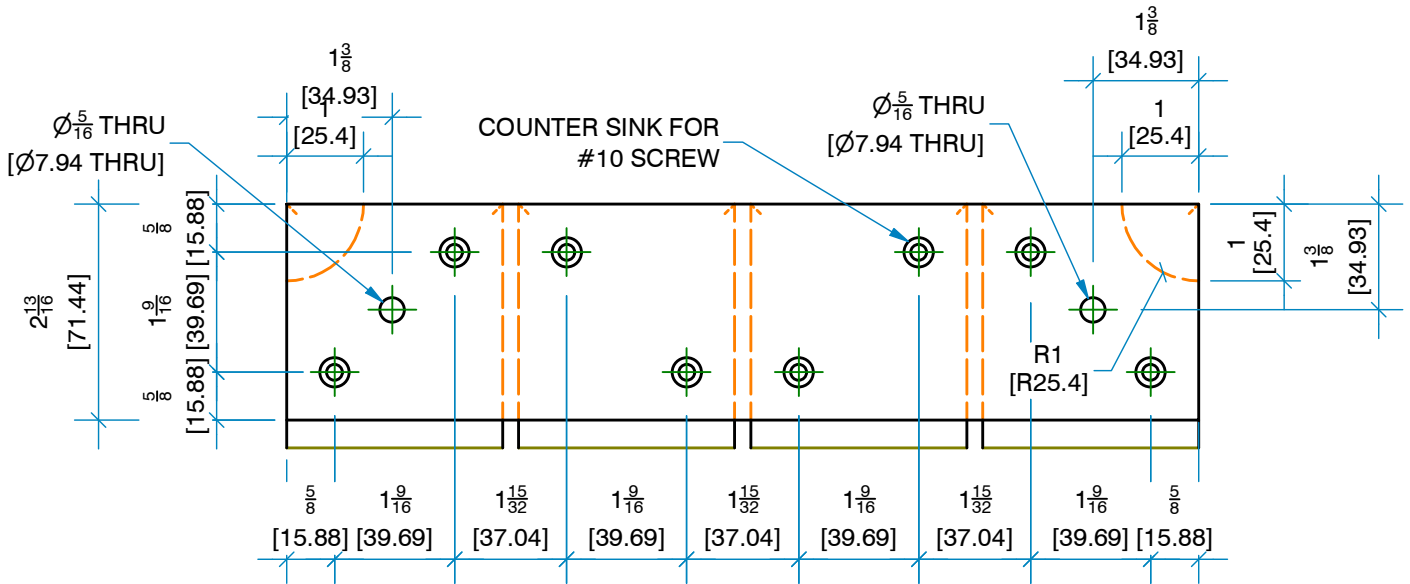
**SIDE VIEW**

DT1212  
Deck Tile 1.5 Thick 12 Wide x 12 Long (net 11 7/8 x 11 7/8)

Sheet#: 2  
REV# 1  
ISSUE DATE: 11/13/2021  
TFP3261001.idw



# TROPICAL



DT1212  
Deck Tile 1.5 Thick 12 Wide x 12 Long (net 11 7/8 x 11 7/8)

Sheet#: 3  
REV# 1  
ISSUE DATE: 11/13/2021  
TFP3261001.idw

