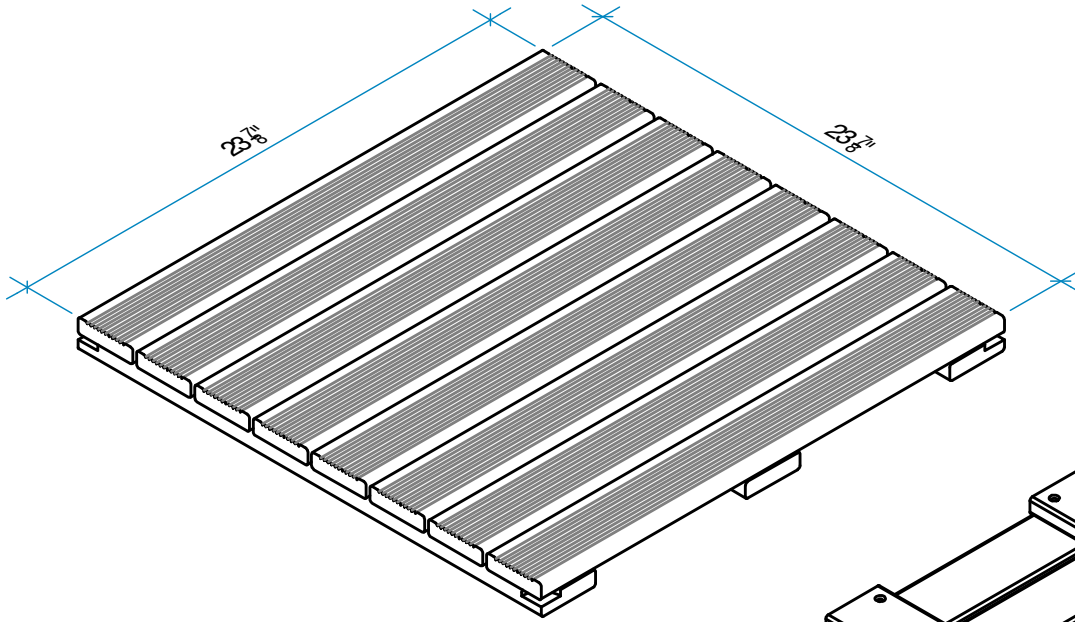
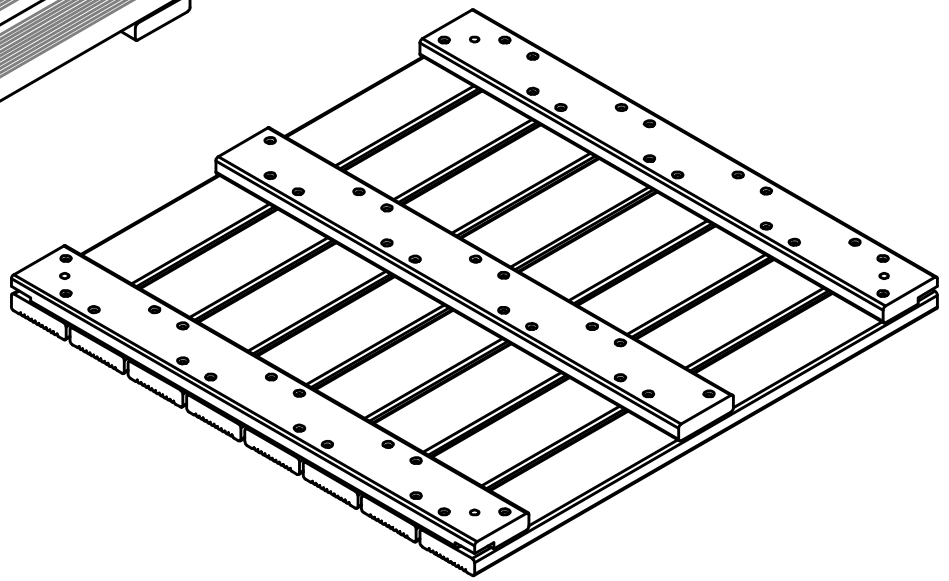


TROPICAL



ISOMETRIC: TOP



ISOMETRIC: BOTTOM

- 1) REGARDLESS OF WOOD SPECIES, ALL WOOD MATERIALS USED IN THE PRODUCTION OF TILES MUST BE PREMIUM SELECT ARCHITECTURAL GRADE AS PER TFP GRADING RULES INCLUDING ALLOWABLE SLOPE OF GRAIN.
- 2) ALL SLATS USED IN THE PRODUCTION OF *Tropical Forest Products* DECK TILES MUST BE FREE FROM REVERSE GRAIN.
- 3) ALL WOOD MATERIALS USED IN THE PRODUCTION OF *Tropical Forest Products* DECK TILES MUST BE KILN DRIED TO A MOISTURE CONTENT BETWEEN 12 AND 14%.
- 4) ALL SCREWS USED IN THE PRODUCTION OF WOOD DECK TILES MUST BE STAINLESS STEEL 305 OR 316 GRADE.
- 5) ALL BUTT ENDS OF DECK SLATS MUST HAVE A RADIUS AS PER PRODUCTION DRAWINGS.
- 6) ALL BUTT ENDS OF DECK SLATS MUST BE END SEALED WITH A WAX SOLUTION. THERE MUST BE NO END WAX ON THE FACE OF DECK SLATS.
- 7) ALL DECK TILES MUST BE PACKAGED AS PER TROPICAL FOREST PACKAGING SPECIFICATIONS
- 8) ALL DECK TILES MUST BE MARKED BY INK STAMP OR STICKER 'KILN DRIED / PRODUCT OF BRAZIL'

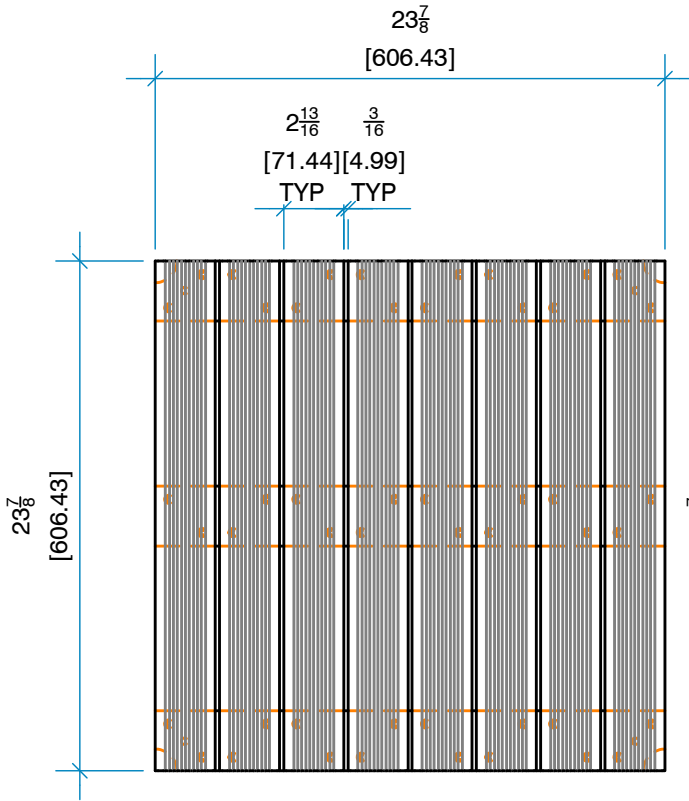
DTIG2424

Deck Tile Grooved 1.5 Thick 24 Wide x 24 Long (net 23 7/8 x 23 7/8)

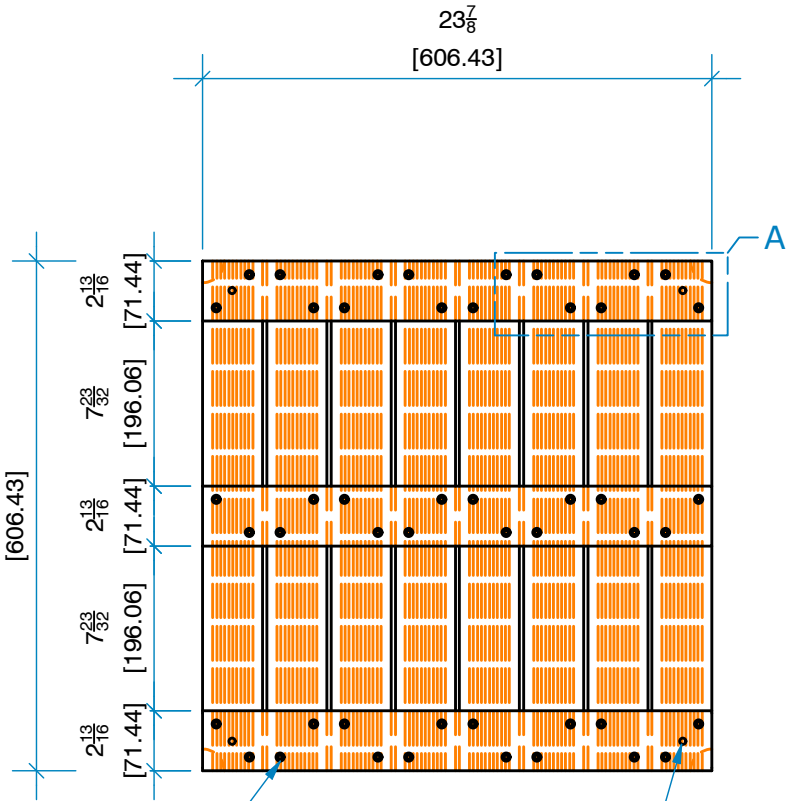
Sheet#: 1
REV# 1
ISSUE DATE: 11/13/2021
TFP3261006.idw



TROPICAL



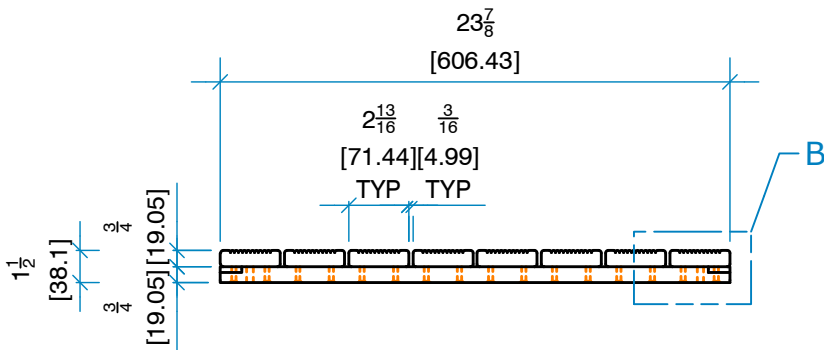
TOP VIEW



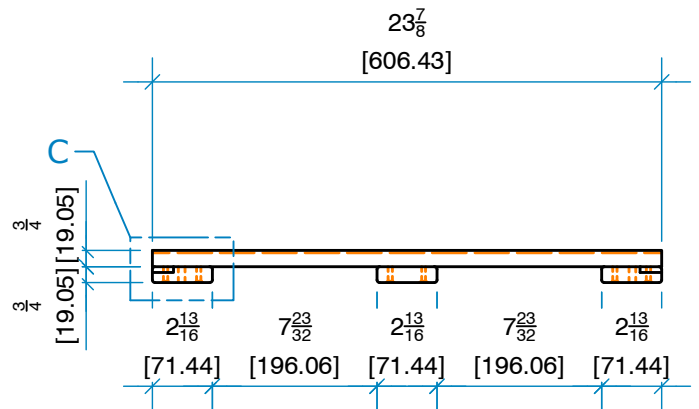
COUNTER SINK FOR
#10 SCREW

Ø⁵/₁₆ THRU
[Ø7.94 THRU]

BOTTOM VIEW



FRONT VIEW



SIDE VIEW

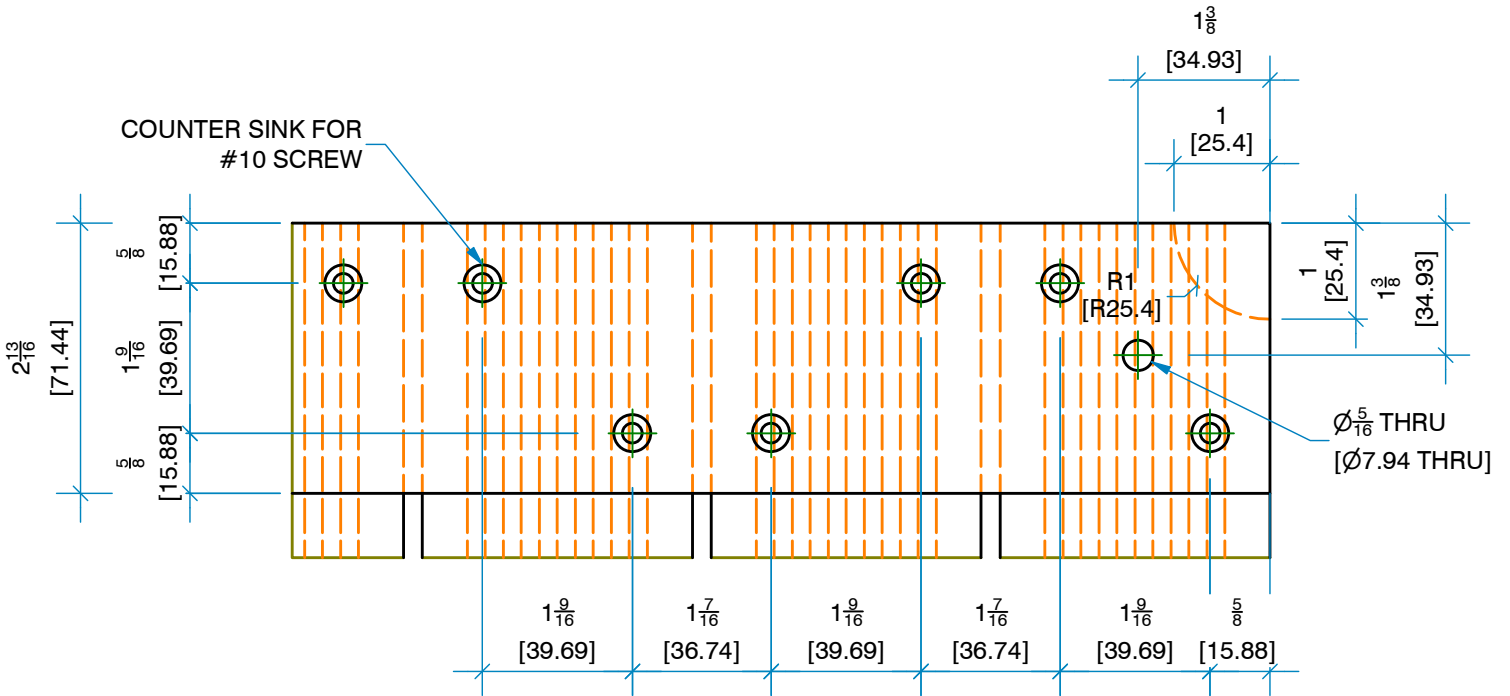
DTIG2424

Deck Tile Grooved 1.5 Thick 24 Wide x 24 Long (net 23 7/8 x 23 7/8)

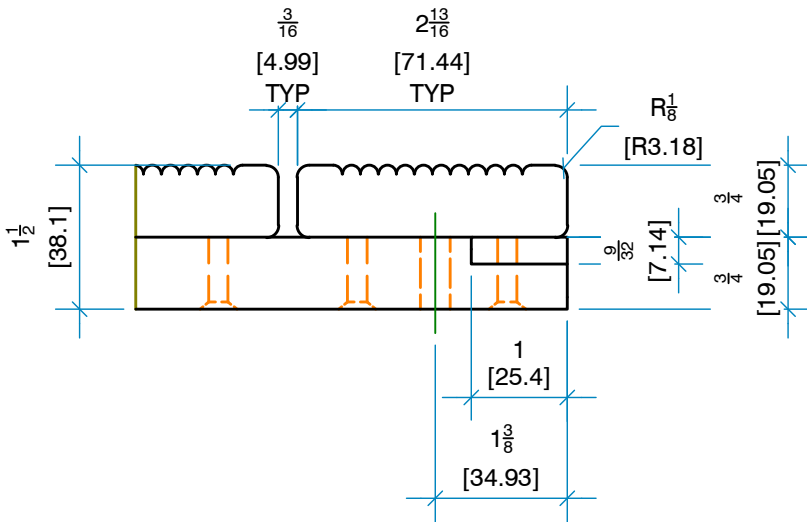
Sheet#: 2
REV# 1
ISSUE DATE: 11/13/2021
TFP3261006.idw



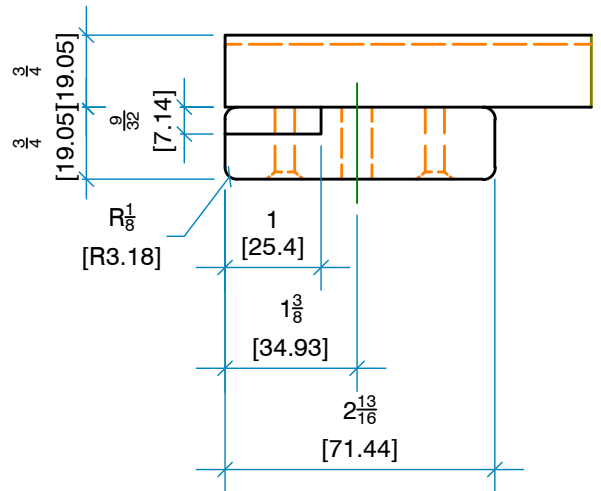
TROPICAL



DETAIL A



DETAIL B



DETAIL C

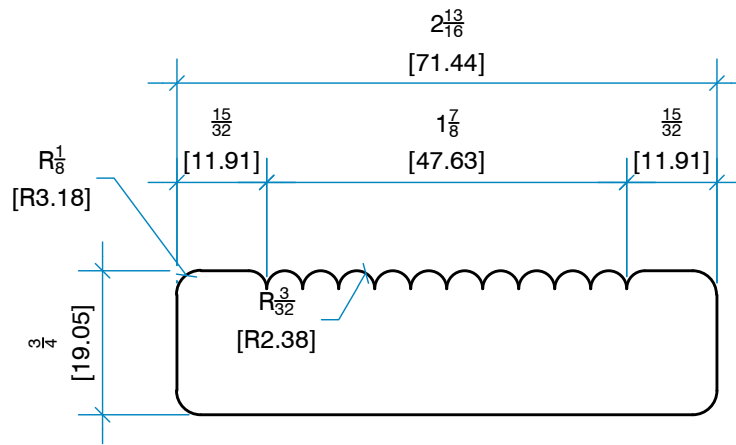
DTIG2424

Deck Tile Grooved 1.5 Thick 24 Wide x 24 Long (net 23 7/8 x 23 7/8)

Sheet#: 3
 REV# 1
 ISSUE DATE: 11/13/2021
 TFP3261006.idw



TROPICAL



PROFILE

DTIG2424

Deck Tile Grooved 1.5 Thick 24 Wide x 24 Long (net $23\frac{7}{8}$ x $23\frac{7}{8}$)

Sheet#: 4
REV# 1
ISSUE DATE: 11/13/2021
TFP3261006.idw

