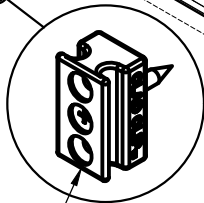
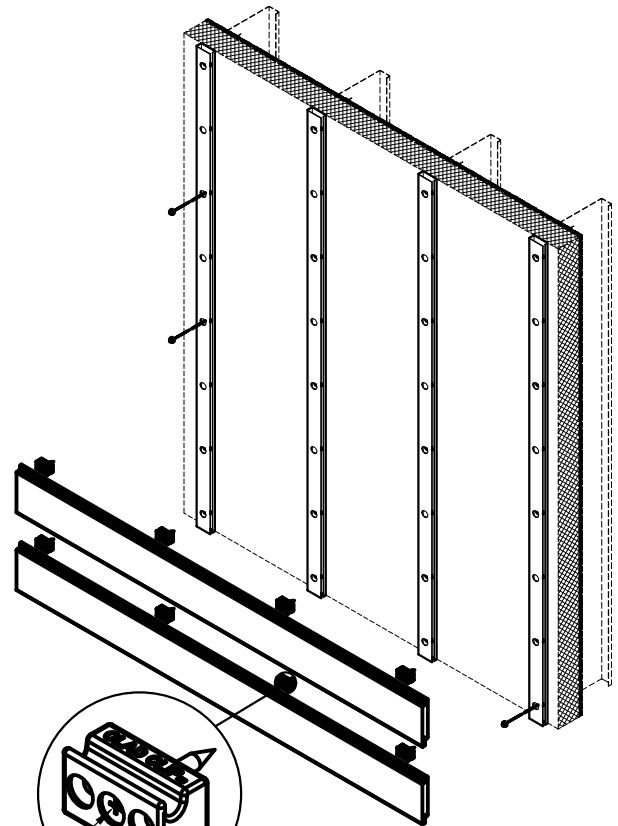
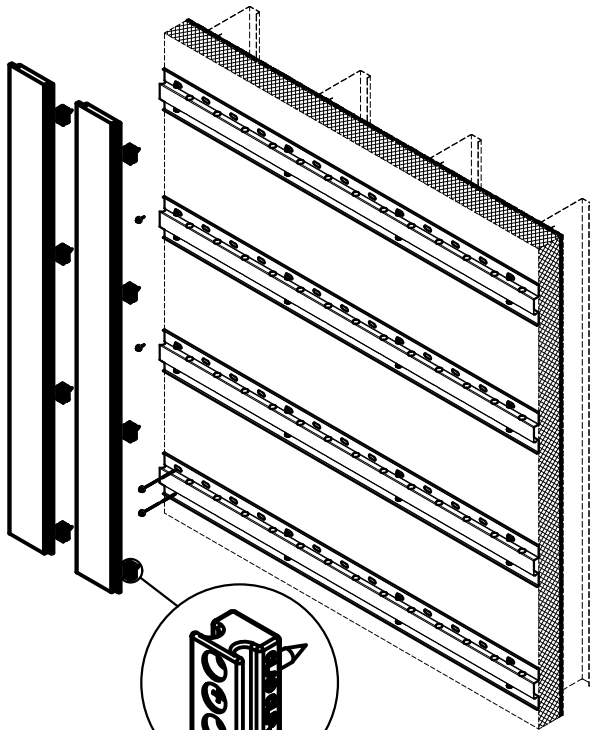


TROPICAL

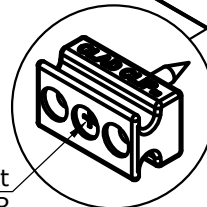
Tropical Forest Products CLAD CLIP™ AND RAIN SCREEN SYSTEM GUIDE: GALVANIZED BATTEN OVER DENSGLOSS SHEATHING HORIZONTAL & VERTICAL APPLICATIONS

VERTICAL APPLICATION

HORIZONTAL APPLICATION



Tropical Forest Products CLAD CLIP MAXI™



Tropical Forest Products CLAD CLIP MAXI™

SEE DETAILS FOR GIRT ORIENTATION

SYSTEM DEPTH W/ Tropical Forest Products RAINSCREEN™ & Tropical Forest Products CLAD CLIP™:

$$1" \text{ RAINSCREEN } / \text{ W/ } \frac{3}{4}" \text{ GIRT } = 1 \frac{7}{8}"$$

5/4" RAINSCREEN W/ 3/4" GIRT = 2"

(FACE OF DENSGLOSS SHEATHING TO FACE OF RAINSCREEN)

THESE GUIDE DETAILS ARE PROVIDED FOR INFORMATION ONLY AND OUTLINE GENERAL/TYPICAL REQUIREMENTS FOR THE ATTACHMENT SYSTEM. PROJECT SPECIFIC ENGINEERING WILL ADDRESS STRUCTURAL ATTACHMENT (I.E. FASTENING PATTERN, ETC.). CONTACT KWS FOR FURTHER DETAILS. ALL IMPLIED WARRANTIES INCLUDING MERCHANTABILITY & FITNESS FOR A PARTICULAR PURPOSE ARE EXPRESSLY EXCLUDED.

TROPICAL

Tropical Forest Products RAINSCREEN GENERAL NOTES:

- TROPICAL FOREST PRODUCTS IS NOT RESPONSIBLE FOR INFORMATION SHOWN ON ALL DETAILS BEYOND SPECIFIC SCOPE OF WORK (INDICATED AS TFP RAIN SCREEN OR Tropical Forest Products CLAD CLIPS).
- CONSULT TFP MASTER PLAN SHEET FOR ENGINEER SEALED SYSTEM DETAILS
- DETAILS ARE ONLY TO COMMUNICATE HOW TFP RAIN SCREEN CAN BE USED WITH KNIGHT WALL SYSTEMS.
- DETAILS OF ADJACENT WORK ARE SHOWN FOR COMPLETENESS, CLARITY AND CONVENIENCE AS AN EXAMPLE BUILT ENVIRONMENT ONLY.
- THE STRUCTURAL SUPPORT, BACK-UP WALL AND SUPER STRUCTURE DESIGN IS WITH OTHER PARTIES NOT LIMITED TO, STEEL STUD WALL, etc.). THE RESPONSIBILITY FOR THESE OTHER ASSEMBLIES TO ACCOMMODATE ALL LOADS IMPOSED UPON THEM BY TFP RAIN SCREEN, SHOULD BE CONSIDERED.
- SOFT JOINTS, SEALANT AND FLASHING SPECIFICATIONS, DESIGN AND INSTALLATION ARE WITH OTHER PARTIES
- WEATHER RESISTANT/AIR BARRIER AND INSULATION SPECIFICATIONS, DETAILING AND INSTALLATION, PENETRATIONS, ARE WITH OTHER PARTIES.
- TROPICAL FOREST PRODUCTS HAS SELECTED FASTENER AND CLIP METAL GRADES DESIGNED TO REDUCE GALVANIC REACTION. POTENTIAL GALVANIC REACTION ALWAYS EXISTS AT SOME LEVEL WHEN DISSIMILAR METALS ARE IN CONTACT. POTENTIAL GALVANIC REACTION MUST ALSO BE CONSIDERED WHEN METALS ARE IN CONTACT WITH CHEMICALLY TREATED LUMBER
- USE FINISH WOOD BLADES FOR CUTTING WOOD RAIN SCREEN COMPONENTS.
- APPLY ANCHORSEAL TO ALL FRESHLY CUT ENDS OF RAIN SCREEN BOARDS.
- USE OF IMPACT DRIVERS IS NOT RECOMMENDED WHEN DRIVING ANY FASTENER FOR THE SYSTEM.
- THE DETAILS WITHIN THIS DRAWING PACKAGE ARE NOT INTENDED TO REPLACE PROJECT SPECIFIC ENGINEERING CALCULATIONS OR THE DESIGN SERVICES OF A REGISTERED PROFESSIONAL DESIGNER AND ARE SUBJECT CHANGE AT ANY TIME. PROJECT SPECIFIC ENGINEERING PROVIDED BY OTHERS.
- NO FREEDOM FROM ANY PATENT OWNED BY TROPICAL FOREST PRODUCTS OR OTHERS IS TO BE INFERRED. BECAUSE USE CONDITIONS AND APPLICABLE DIFFER FROM ONE LOCATION TO ANOTHER AND MAY CHANGE WITH TIME, CUSTOMER IS RESPONSIBLE FOR DETERMINING WHETHER PRODUCTS AND THE INFORMATION DOCUMENT ARE APPROPRIATE FOR CUSTOMER'S USE AND FOR ENSURING THAT THE CUSTOMER'S WORKPLACE AND DISPOSAL PRACTICES ARE IN COMPLIANCE WITH APPLICABLE AND OTHER GOVERNMENT ENACTMENTS. TROPICAL FOREST PRODUCTS ASSUMES NO OBLIGATION OR LIABILITY FOR THE INFORMATION CONTAINED IN THIS DOCUMENT
- NO EXPRESS WARRANTIES ARE GIVEN EXCEPT FOR ANY APPLICABLE WRITTEN LIMITED WARRANTIES SPECIFICALLY PROVIDED BY TROPICAL FOREST PRODUCTS. ALL IMPLIED WARRANTIES INCLUDING THOSE OF MERCHANTABILITY AND FITNESS FOR A PARTICULAR PURPOSE ARE EXPRESSLY EXCLUDED
- BUILDING AND/OR CONSTRUCTION PRACTICES UNRELATED TO BUILDING MATERIALS COULD GREATLY AFFECT MOISTURE AND THE POTENTIAL FOR MOLD FORMATION. NO MATERIAL SUPPLIER INCLUDING TROPICAL FOREST PRODUCTS CAN GIVE ASSURANCE THAT MOLD WILL NOT DEVELOP.

THESE GUIDE DETAILS ARE PROVIDED FOR INFORMATION ONLY AND OUTLINE GENERAL/TYPICAL REQUIREMENTS FOR THE ATTACHMENT SYSTEM. PROJECT SPECIFIC ENGINEERING WILL ADDRESS STRUCTURAL ATTACHMENT (i.e. FASTENING PATTERN, ETC.). CONTACT KWS FOR FURTHER DETAILS. ALL IMPLIED WARRANTIES INCLUDING MERCHANTABILITY & FITNESS FOR A PARTICULAR PURPOSE ARE EXPRESSLY EXCLUDED.



TROPICAL

TABLE OF CONTENTS

1. TITLE PAGE
2. Tropical Forest Products RAINSCREEN GENERAL NOTES
3. TABLE OF CONTENTS
4. TABLE OF CONTENTS (CONTINUED)
5. Tropical Forest Products CLAD CLIP DETAILS
6. HORIZONTAL APPLICATION: LAYUP DIMENSIONS: 1" WITH NO REVEAL
7. HORIZONTAL APPLICATION: LAYUP DIMENSIONS: 1" WITH $\frac{1}{8}$ " REVEAL
8. HORIZONTAL APPLICATION: LAYUP DIMENSIONS: 1" WITH $\frac{1}{4}$ " REVEAL
9. HORIZONTAL APPLICATION: LAYUP DIMENSIONS: 1" WITH $\frac{1}{2}$ " REVEAL
10. HORIZONTAL APPLICATION: LAYUP DIMENSIONS: 5/4" WITH NO REVEAL
11. HORIZONTAL APPLICATION: LAYUP DIMENSIONS: 5/4" WITH $\frac{1}{8}$ " REVEAL
12. HORIZONTAL APPLICATION: LAYUP DIMENSIONS: 5/4" WITH $\frac{1}{4}$ " REVEAL
13. HORIZONTAL APPLICATION: LAYUP DIMENSIONS: 5/4" WITH $\frac{1}{2}$ " REVEAL
14. HORIZONTAL APPLICATION: CLAD CLIP SPECS
15. HORIZONTAL APPLICATION: TYPICAL SECTION VIEW
16. HORIZONTAL APPLICATION: TYPICAL PLAN VIEW
17. HORIZONTAL APPLICATION: TYPICAL SECTION W/ SOFFIT
18. HORIZONTAL APPLICATION: TYPICAL SECTION W/ SOFFIT ONLY
19. HORIZONTAL APPLICATION: TYPICAL OUTSIDE CORNER: MITER W/ GAP
20. HORIZONTAL APPLICATION: TYPICAL OUTSIDE CORNER: MITER
21. HORIZONTAL APPLICATION: TYPICAL OUTSIDE CORNER: ALUMINUM EXTRUSION
22. HORIZONTAL APPLICATION: TYPICAL OUTSIDE CORNER: FLUSH WOOD
23. HORIZONTAL APPLICATION: TYPICAL OUTSIDE CORNER: BUTT JOINT
24. HORIZONTAL APPLICATION: TYPICAL INSIDE CORNER: MITER W/ GAP
25. HORIZONTAL APPLICATION: TYPICAL INSIDE CORNER: MITER
26. HORIZONTAL APPLICATION: TYPICAL INSIDE CORNER: BUTT JOINT
27. HORIZONTAL APPLICATION: TYPICAL JAMB CONDITION
28. HORIZONTAL APPLICATION: TYPICAL HEAD/SILL CONDITION

PLEASE FEEL FREE TO CONTACT TROPICAL FOREST PRODUCTS FOR PROJECT SPECIFIC ASSISTANCE WITH TFP® CLADDING OPTIONS AND SPECIFIC ASSISTANCE.

905.672.8000 OR 855.344.4500

info@wearetropical.com

THESE GUIDE DETAILS ARE PROVIDED FOR INFORMATION ONLY AND OUTLINE GENERAL/TYPICAL REQUIREMENTS FOR THE ATTACHMENT SYSTEM. PROJECT SPECIFIC ENGINEERING WILL ADDRESS STRUCTURAL ATTACHMENT (I.E. FASTENING PATTERN, ETC.). CONTACT KWS FOR FURTHER DETAILS. ALL IMPLIED WARRANTIES INCLUDING MERCHANTABILITY & FITNESS FOR A PARTICULAR PURPOSE ARE EXPRESSLY EXCLUDED.



TROPICAL

TABLE OF CONTENTS (CONTINUED)

29. HORIZONTAL APPLICATION: TYPICAL BASE OF WALL CONDITION
30. HORIZONTAL APPLICATION: TYPICAL FLOOR DEFLECTION JOINT
31. VERTICAL APPLICATION: LAYUP DIMENSIONS: 1" WITH NO REVEAL
32. VERTICAL APPLICATION: LAYUP DIMENSIONS: 1" WITH $\frac{1}{8}$ " REVEAL
33. VERTICAL APPLICATION: LAYUP DIMENSIONS: 1" WITH $\frac{1}{4}$ " REVEAL
34. VERTICAL APPLICATION: LAYUP DIMENSIONS: 1" WITH $\frac{1}{2}$ " REVEAL
35. VERTICAL APPLICATION: LAYUP DIMENSIONS: 5/4" WITH NO REVEAL
36. VERTICAL APPLICATION: LAYUP DIMENSIONS: 5/4" WITH $\frac{1}{8}$ " REVEAL
37. VERTICAL APPLICATION: LAYUP DIMENSIONS: 5/4" WITH $\frac{1}{4}$ " REVEAL
38. VERTICAL APPLICATION: LAYUP DIMENSIONS: 5/4" WITH $\frac{1}{2}$ " REVEAL
39. VERTICAL APPLICATION: CLAD CLIP SPECS
40. VERTICAL APPLICATION: TYPICAL SECTION VIEW
41. VERTICAL APPLICATION: TYPICAL PLAN VIEW
42. VERTICAL APPLICATION: TYPICAL SECTION W/ SOFFIT
43. VERTICAL APPLICATION: TYPICAL SECTION W/ SOFFIT ONLY
44. VERTICAL APPLICATION: TYPICAL OUTSIDE CORNER: MITER W/ GAP
45. VERTICAL APPLICATION: TYPICAL OUTSIDE CORNER: MITER
46. VERTICAL APPLICATION: TYPICAL OUTSIDE CORNER: ALUMINUM EXTRUSION
47. VERTICAL APPLICATION: TYPICAL OUTSIDE CORNER: FLUSH WOOD
48. VERTICAL APPLICATION: TYPICAL OUTSIDE CORNER: BUTT JOINT
49. VERTICAL APPLICATION: TYPICAL INSIDE CORNER: MITER W/ GAP
50. VERTICAL APPLICATION: TYPICAL INSIDE CORNER: MITER
51. VERTICAL APPLICATION: TYPICAL INSIDE CORNER: BUTT JOINT
52. VERTICAL APPLICATION: TYPICAL JAMB CONDITION
53. VERTICAL APPLICATION: TYPICAL HEAD/SILL CONDITION
54. VERTICAL APPLICATION: TYPICAL BASE OF WALL CONDITION
55. VERTICAL APPLICATION: TYPICAL FLOOR DEFLECTION JOINT
56. VERTICAL APPLICATION: BOTTOM LEDGER & SCREW INSTALLATION

PLEASE FEEL FREE TO CONTACT TROPICAL FOREST PRODUCTS FOR PROJECT SPECIFIC ASSISTANCE WITH TFP® CLADDING OPTIONS AND SPECIFIC ASSISTANCE.

905.672.8000 OR 855.344.4500

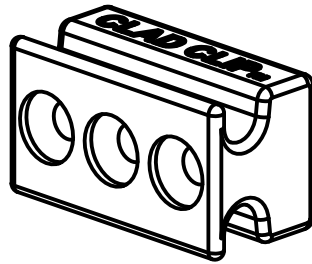
info@wearetropical.com

THESE GUIDE DETAILS ARE PROVIDED FOR INFORMATION ONLY AND OUTLINE GENERAL/TYPICAL REQUIREMENTS FOR THE ATTACHMENT SYSTEM. PROJECT SPECIFIC ENGINEERING WILL ADDRESS STRUCTURAL ATTACHMENT (I.E. FASTENING PATTERN, ETC.). CONTACT KWS FOR FURTHER DETAILS. ALL IMPLIED WARRANTIES INCLUDING MERCHANTABILITY & FITNESS FOR A PARTICULAR PURPOSE ARE EXPRESSLY EXCLUDED.

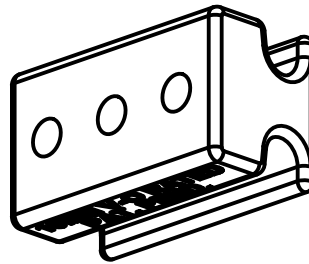


TROPICAL

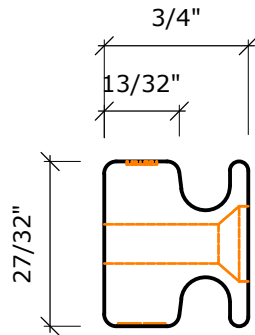
Tropical Forest Products CLAD CLIP™ DETAILS SCALE: FULL



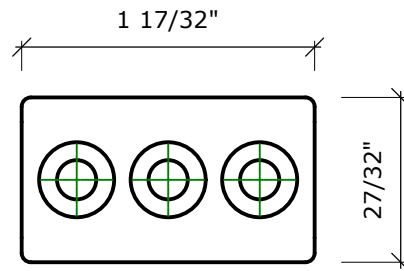
ISOMETRIC



REAR ISOMETRIC



SIDE VIEW



FRONT VIEW



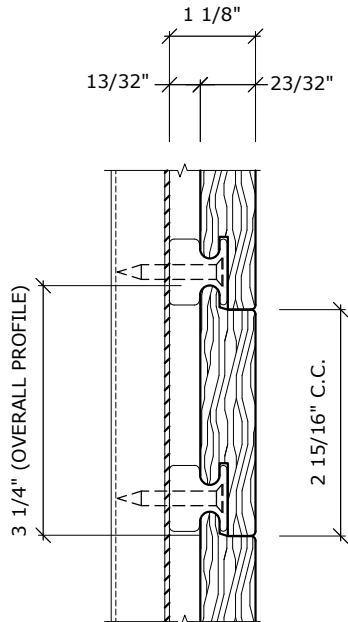
Tropical Forest Products CLAD CLIP MAXI - BLCCMAX10MMVO
SCALE: NTS

TROPICAL FOREST PRODUCTS COPYRIGHT 2021

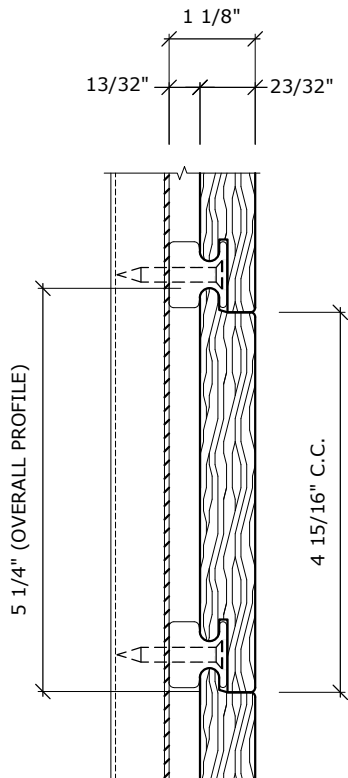
THESE GUIDE DETAILS ARE PROVIDED FOR INFORMATION ONLY AND OUTLINE GENERAL/TYPICAL REQUIREMENTS FOR THE ATTACHMENT SYSTEM. PROJECT SPECIFIC ENGINEERING WILL ADDRESS STRUCTURAL ATTACHMENT (I.E. FASTENING PATTERN, ETC.). CONTACT KWS FOR FURTHER DETAILS. ALL IMPLIED WARRANTIES INCLUDING MERCHANTABILITY & FITNESS FOR A PARTICULAR PURPOSE ARE EXPRESSLY EXCLUDED.

TROPICAL

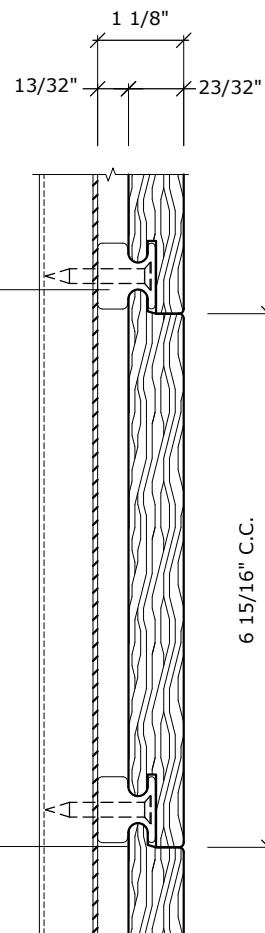
HORIZONTAL APPLICATION: LAYUP DIMENSIONS - 1" WITH NO REVEAL SCALE: NTS



A Tropical Forest Products CLAD CLIP MAXI w/ 1" X 4" NO REVEAL RAINSCREEN
SCALE: NTS



B Tropical Forest Products CLAD CLIP MAXI w/ 1" X 6" NO REVEAL RAINSCREEN
SCALE: NTS



C Tropical Forest Products CLAD CLIP MAXI w/ 1" X 8" NO REVEAL RAINSCREEN
SCALE: NTS

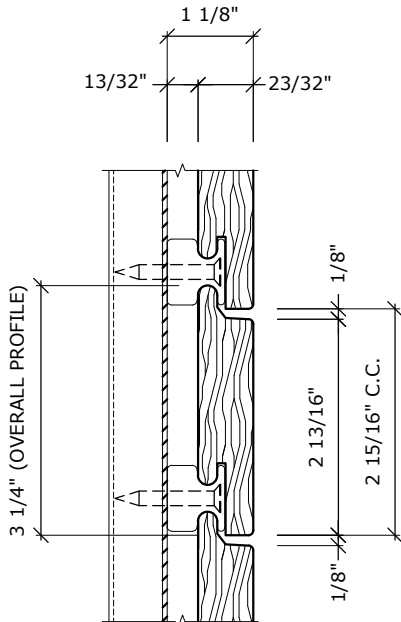
THESE GUIDE DETAILS ARE PROVIDED FOR INFORMATION ONLY AND OUTLINE GENERAL/TYPICAL REQUIREMENTS FOR THE ATTACHMENT SYSTEM. PROJECT SPECIFIC ENGINEERING WILL ADDRESS STRUCTURAL ATTACHMENT (I.E. FASTENING PATTERN, ETC.). CONTACT KWS FOR FURTHER DETAILS. ALL IMPLIED WARRANTIES INCLUDING MERCHANTABILITY & FITNESS FOR A PARTICULAR PURPOSE ARE EXPRESSLY EXCLUDED.

TROPICAL FOREST PRODUCTS COPYRIGHT 2021

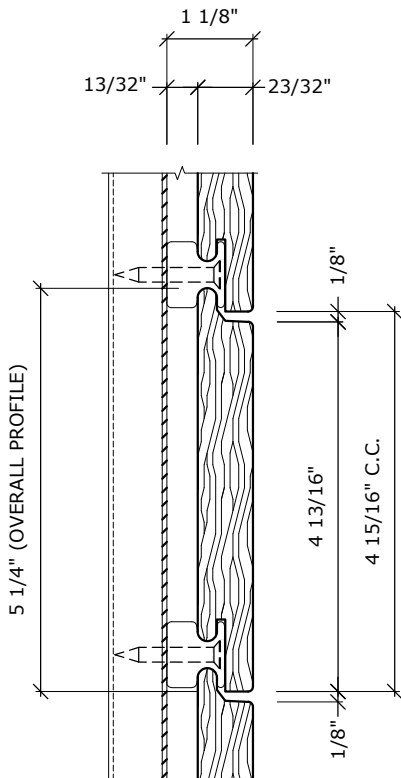


TROPICAL

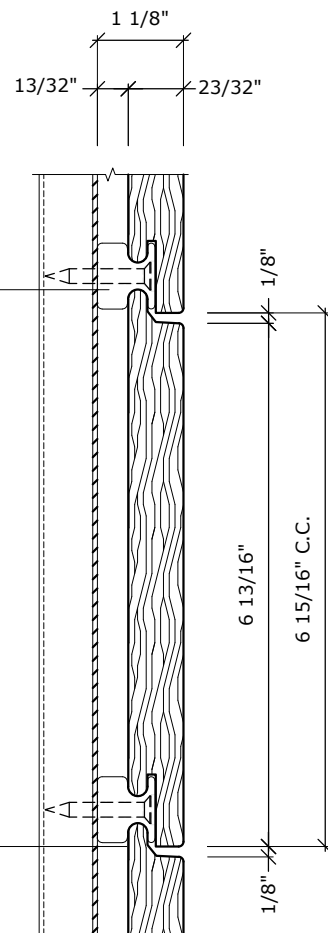
HORIZONTAL APPLICATION: LAYUP DIMENSIONS - 1" WITH 1/8" REVEAL SCALE: NTS



A Tropical Forest Products CLAD CLIP MAXI w/ 1" X 4" 1/8 REVEAL RAINSCREEN
SCALE: NTS



B Tropical Forest Products CLAD CLIP MAXI w/ 1" X 6" 1/8 REVEAL RAINSCREEN
SCALE: NTS



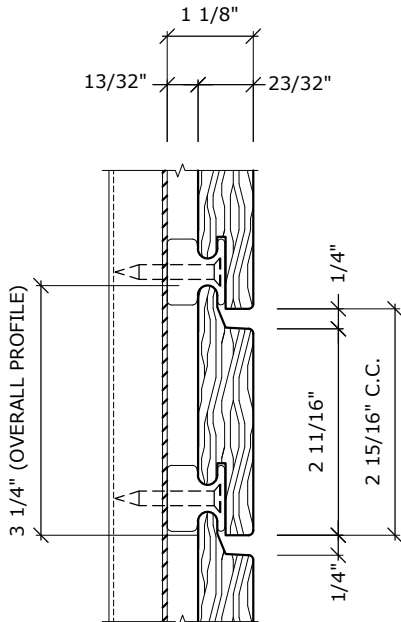
C Tropical Forest Products CLAD CLIP MAXI w/ 1" X 8" 1/8 REVEAL RAINSCREEN
SCALE: NTS

THESE GUIDE DETAILS ARE PROVIDED FOR INFORMATION ONLY AND OUTLINE GENERAL/TYPICAL REQUIREMENTS FOR THE ATTACHMENT SYSTEM. PROJECT SPECIFIC ENGINEERING WILL ADDRESS STRUCTURAL ATTACHMENT (I.E. FASTENING PATTERN, ETC.). CONTACT KWS FOR FURTHER DETAILS. ALL IMPLIED WARRANTIES INCLUDING MERCHANTABILITY & FITNESS FOR A PARTICULAR PURPOSE ARE EXPRESSLY EXCLUDED.

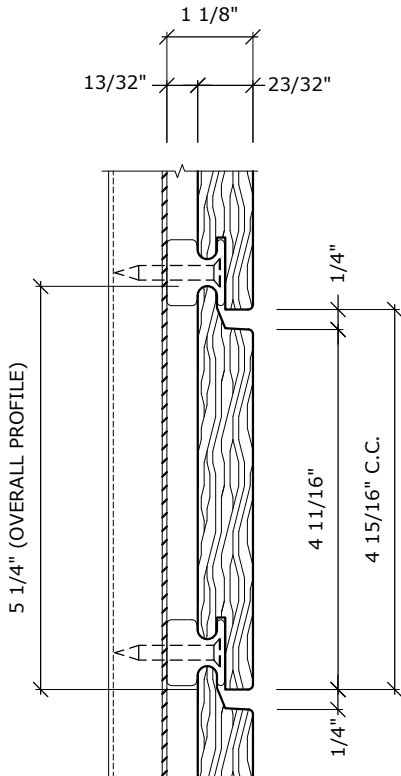
TROPICAL FOREST PRODUCTS COPYRIGHT 2021

TROPICAL

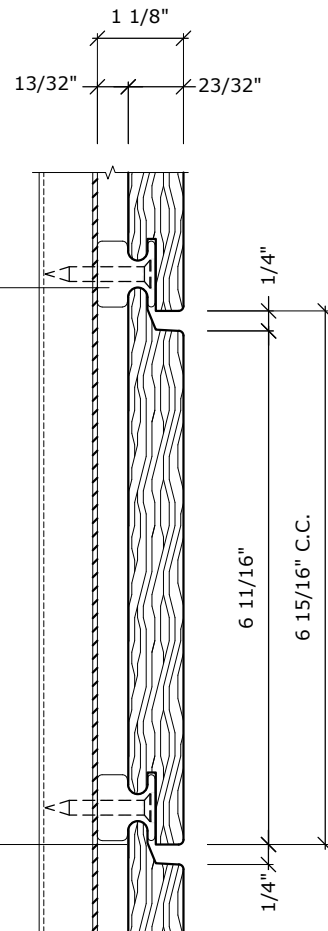
HORIZONTAL APPLICATION: LAYUP DIMENSIONS - 1" WITH 1/4" REVEAL SCALE: NTS



A Tropical Forest Products CLAD CLIP MAXI w/ 1" X 4" 1/4 REVEAL RAINSCREEN
SCALE: NTS



B Tropical Forest Products CLAD CLIP MAXI w/ 1" X 6" 1/4 REVEAL RAINSCREEN
SCALE: NTS



C Tropical Forest Products CLAD CLIP MAXI w/ 1" X 8" 1/4 REVEAL RAINSCREEN
SCALE: NTS

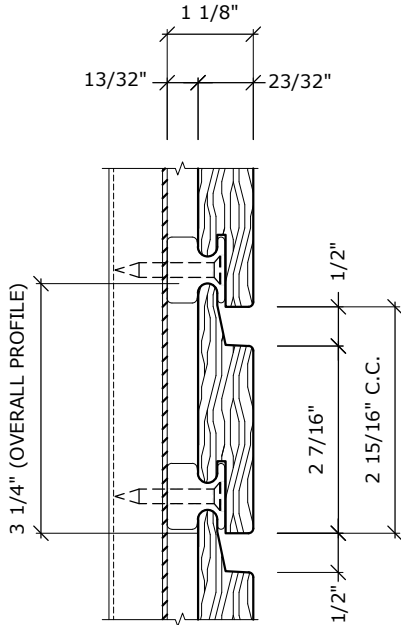
THESE GUIDE DETAILS ARE PROVIDED FOR INFORMATION ONLY AND OUTLINE GENERAL/TYPICAL REQUIREMENTS FOR THE ATTACHMENT SYSTEM. PROJECT SPECIFIC ENGINEERING WILL ADDRESS STRUCTURAL ATTACHMENT (I.E. FASTENING PATTERN, ETC.). CONTACT KWS FOR FURTHER DETAILS. ALL IMPLIED WARRANTIES INCLUDING MERCHANTABILITY & FITNESS FOR A PARTICULAR PURPOSE ARE EXPRESSLY EXCLUDED.

TROPICAL FOREST PRODUCTS COPYRIGHT 2021

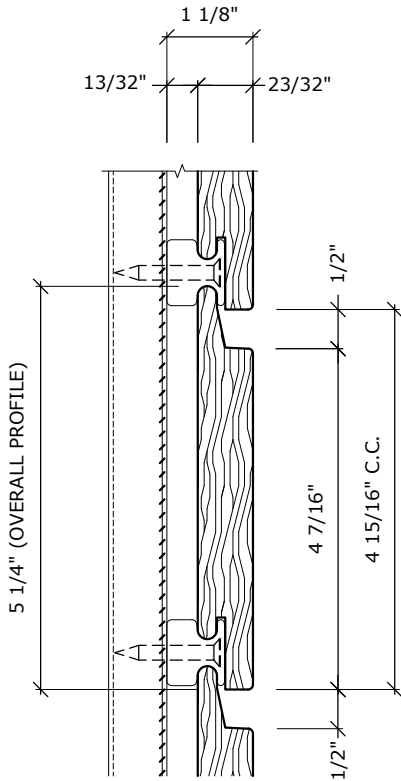


TROPICAL

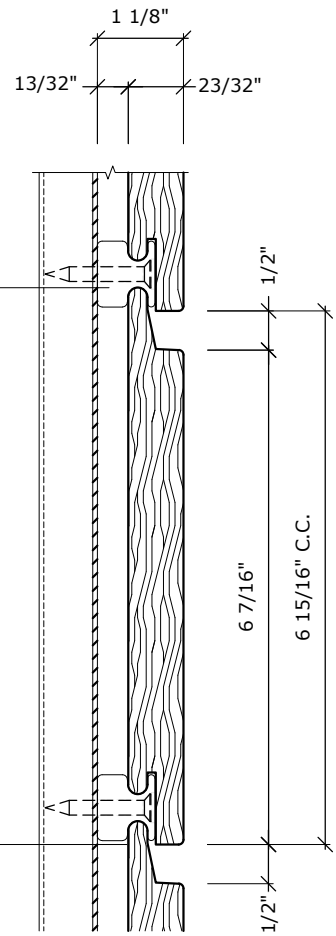
HORIZONTAL APPLICATION: LAYUP DIMENSIONS - 1" WITH 1/2" REVEAL SCALE: NTS



A Tropical Forest Products CLAD CLIP MAXI w/ 1" X 4" 1/2 REVEAL RAINSCREEN
SCALE: NTS



B Tropical Forest Products CLAD CLIP MAXI w/ 1" X 6" 1/2 REVEAL RAINSCREEN
SCALE: NTS



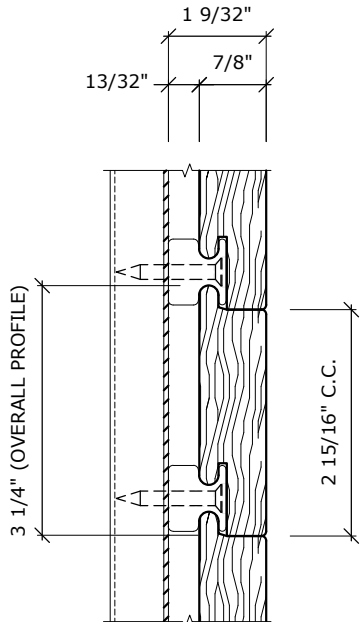
C Tropical Forest Products CLAD CLIP MAXI w/ 1" X 8" 1/2 REVEAL RAINSCREEN
SCALE: NTS

TROPICAL FOREST PRODUCTS COPYRIGHT 2021

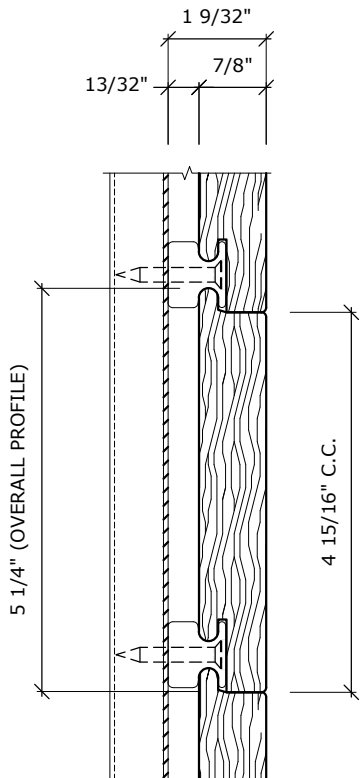


TROPICAL

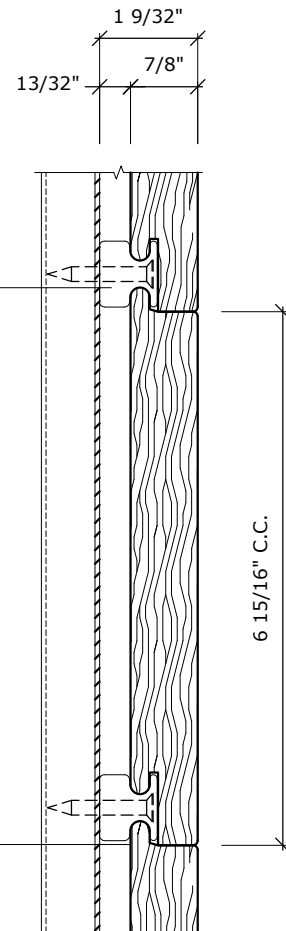
HORIZONTAL APPLICATION: LAYUP DIMENSIONS - 5/4" WITH NO REVEAL SCALE: NTS



A Tropical Forest Products CLAD CLIP MAXI w/ 5/4" X 4" NO REVEAL RAINSCREEN
SCALE: NTS



B Tropical Forest Products CLAD CLIP MAXI w/ 5/4" X 6" NO REVEAL RAINSCREEN
SCALE: NTS



C Tropical Forest Products CLAD CLIP MAXI w/ 5/4" X 8" NO REVEAL RAINSCREEN
SCALE: NTS

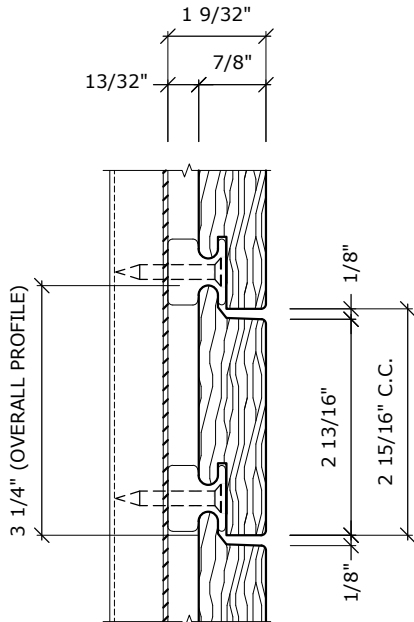
THESE GUIDE DETAILS ARE PROVIDED FOR INFORMATION ONLY AND OUTLINE GENERAL/TYPICAL REQUIREMENTS FOR THE ATTACHMENT SYSTEM. PROJECT SPECIFIC ENGINEERING WILL ADDRESS STRUCTURAL ATTACHMENT (I.E. FASTENING PATTERN, ETC.). CONTACT KWS FOR FURTHER DETAILS. ALL IMPLIED WARRANTIES INCLUDING MERCHANTABILITY & FITNESS FOR A PARTICULAR PURPOSE ARE EXPRESSLY EXCLUDED.

TROPICAL FOREST PRODUCTS COPYRIGHT 2021

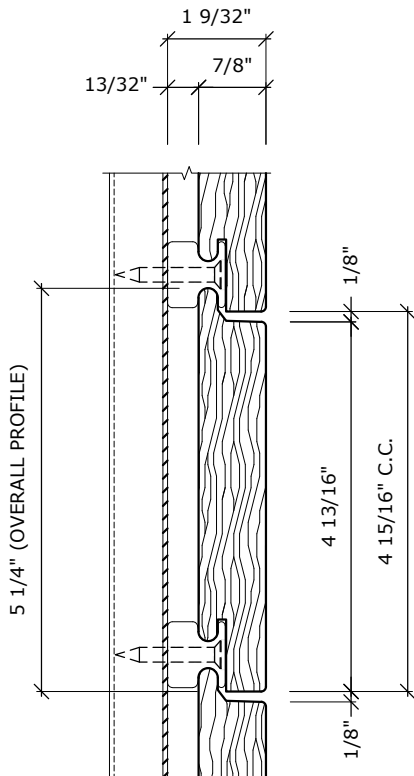


TROPICAL

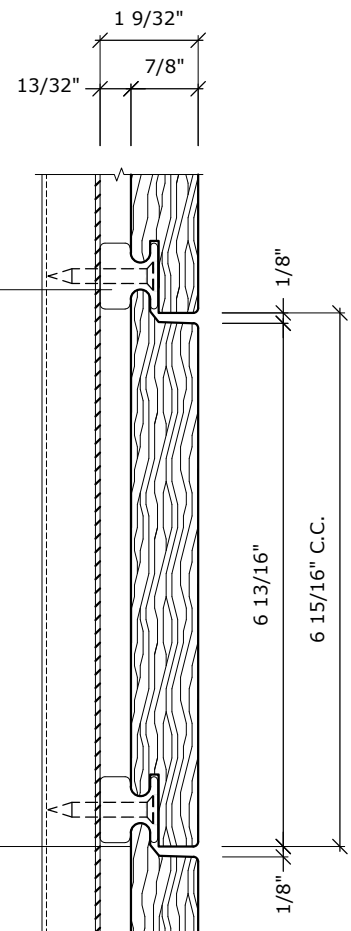
HORIZONTAL APPLICATION: LAYUP DIMENSIONS - 5/4" WITH 1/8" REVEAL SCALE: NTS



A Tropical Forest Products CLAD CLIP MAXI w/ 5/4" X 4" 1/8 REVEAL RAINSCREEN
SCALE: NTS



B Tropical Forest Products CLAD CLIP MAXI w/ 5/4" X 6" 1/8 REVEAL RAINSCREEN
SCALE: NTS



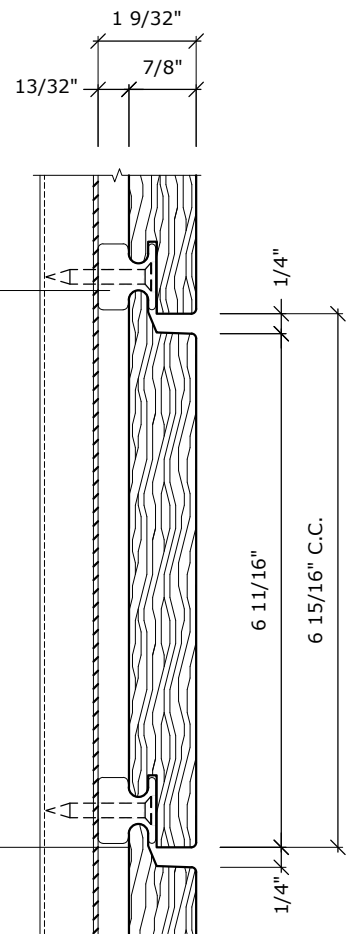
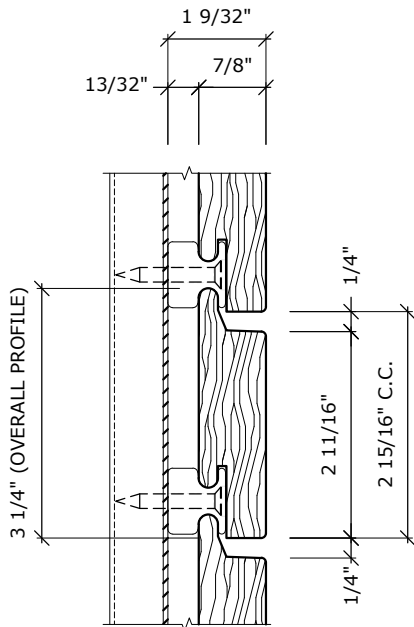
C Tropical Forest Products CLAD CLIP MAXI w/ 5/4" X 8" 1/8 REVEAL RAINSCREEN
SCALE: NTS

THESE GUIDE DETAILS ARE PROVIDED FOR INFORMATION ONLY AND OUTLINE GENERAL/TYPICAL REQUIREMENTS FOR THE ATTACHMENT SYSTEM. PROJECT SPECIFIC ENGINEERING WILL ADDRESS STRUCTURAL ATTACHMENT (I.E. FASTENING PATTERN, ETC.). CONTACT KWS FOR FURTHER DETAILS. ALL IMPLIED WARRANTIES INCLUDING MERCHANTABILITY & FITNESS FOR A PARTICULAR PURPOSE ARE EXPRESSLY EXCLUDED.

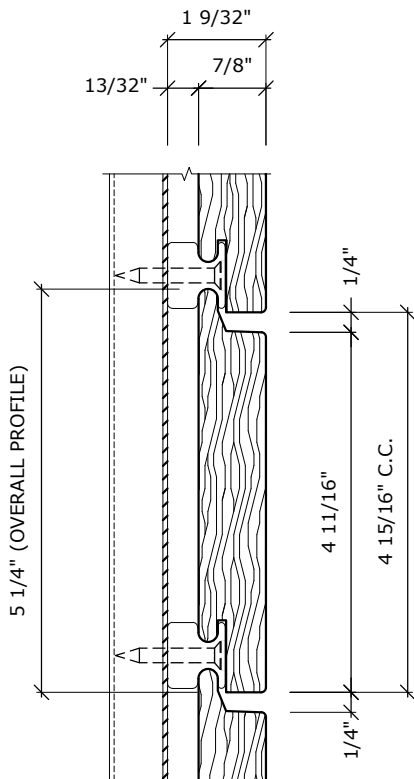
TROPICAL FOREST PRODUCTS COPYRIGHT 2021

TROPICAL

HORIZONTAL APPLICATION: LAYUP DIMENSIONS - 5/4" WITH 1/4" REVEAL SCALE: NTS



A Tropical Forest Products CLAD CLIP MAXI w/ 5/4" X 4" 1/4 REVEAL RAINSCREEN
SCALE: NTS



B Tropical Forest Products CLAD CLIP MAXI w/ 5/4" X 6" 1/4 REVEAL RAINSCREEN
SCALE: NTS

C Tropical Forest Products CLAD CLIP MAXI w/ 5/4" X 8" 1/4 REVEAL RAINSCREEN

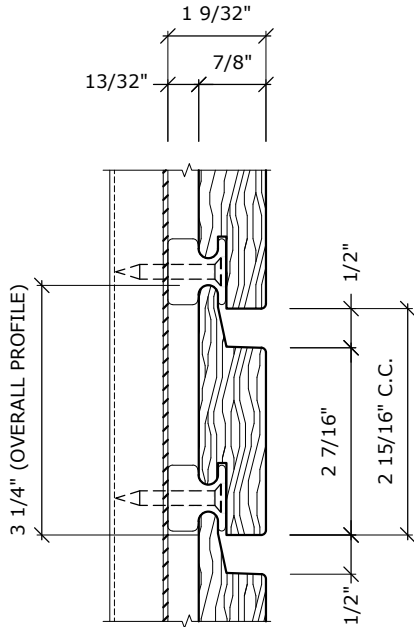
THESE GUIDE DETAILS ARE PROVIDED FOR INFORMATION ONLY AND OUTLINE GENERAL/TYPICAL REQUIREMENTS FOR THE ATTACHMENT SYSTEM. PROJECT SPECIFIC ENGINEERING WILL ADDRESS STRUCTURAL ATTACHMENT (I.E. FASTENING PATTERN, ETC.). CONTACT KWS FOR FURTHER DETAILS. ALL IMPLIED WARRANTIES INCLUDING MERCHANTABILITY & FITNESS FOR A PARTICULAR PURPOSE ARE EXPRESSLY EXCLUDED.

TROPICAL FOREST PRODUCTS COPYRIGHT 2021

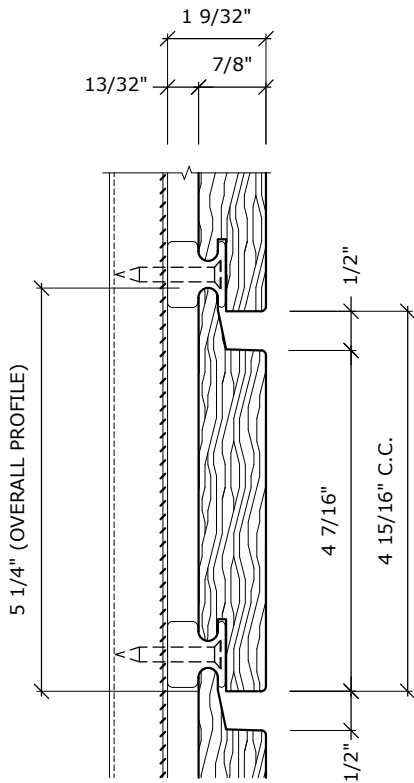


TROPICAL

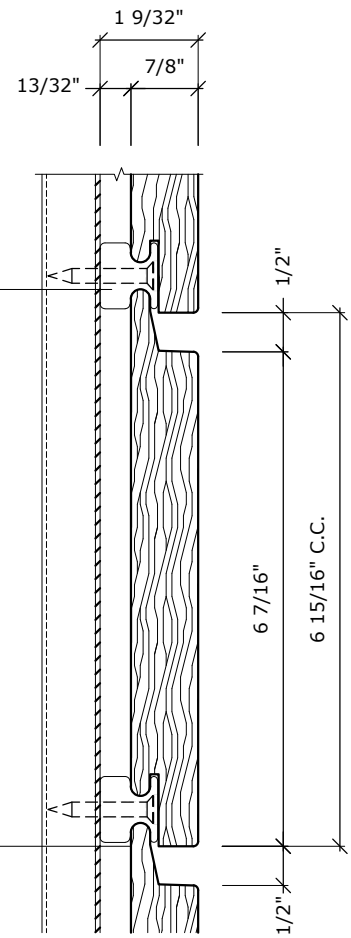
HORIZONTAL APPLICATION: LAYUP DIMENSIONS - 5/4" WITH 1/2" REVEAL SCALE: NTS



A Tropical Forest Products CLAD CLIP MAXI w/ 5/4" X 4" 1/2 REVEAL RAINSCREEN
SCALE: NTS



B Tropical Forest Products CLAD CLIP MAXI w/ 5/4" X 6" 1/2 REVEAL RAINSCREEN
SCALE: NTS



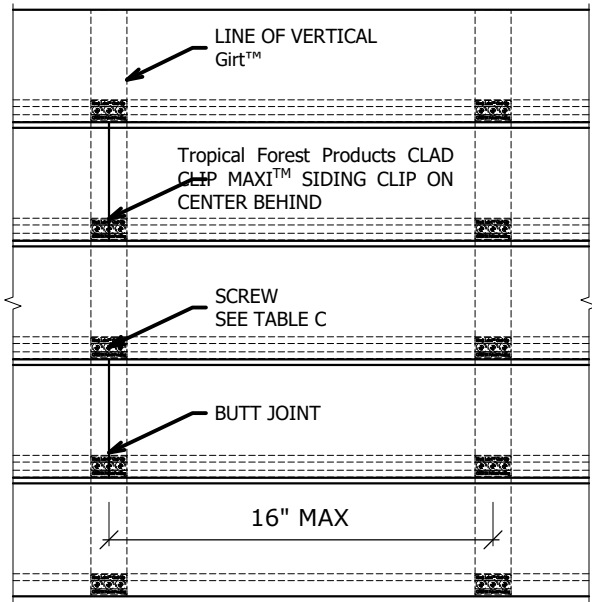
C Tropical Forest Products CLAD CLIP MAXI w/ 5/4" X 8" 1/2 REVEAL RAINSCREEN
SCALE: NTS

THESE GUIDE DETAILS ARE PROVIDED FOR INFORMATION ONLY AND OUTLINE GENERAL/TYPICAL REQUIREMENTS FOR THE ATTACHMENT SYSTEM. PROJECT SPECIFIC ENGINEERING WILL ADDRESS STRUCTURAL ATTACHMENT (I.E. FASTENING PATTERN, ETC.). CONTACT KWS FOR FURTHER DETAILS. ALL IMPLIED WARRANTIES INCLUDING MERCHANTABILITY & FITNESS FOR A PARTICULAR PURPOSE ARE EXPRESSLY EXCLUDED.

TROPICAL FOREST PRODUCTS COPYRIGHT 2021

TROPICAL

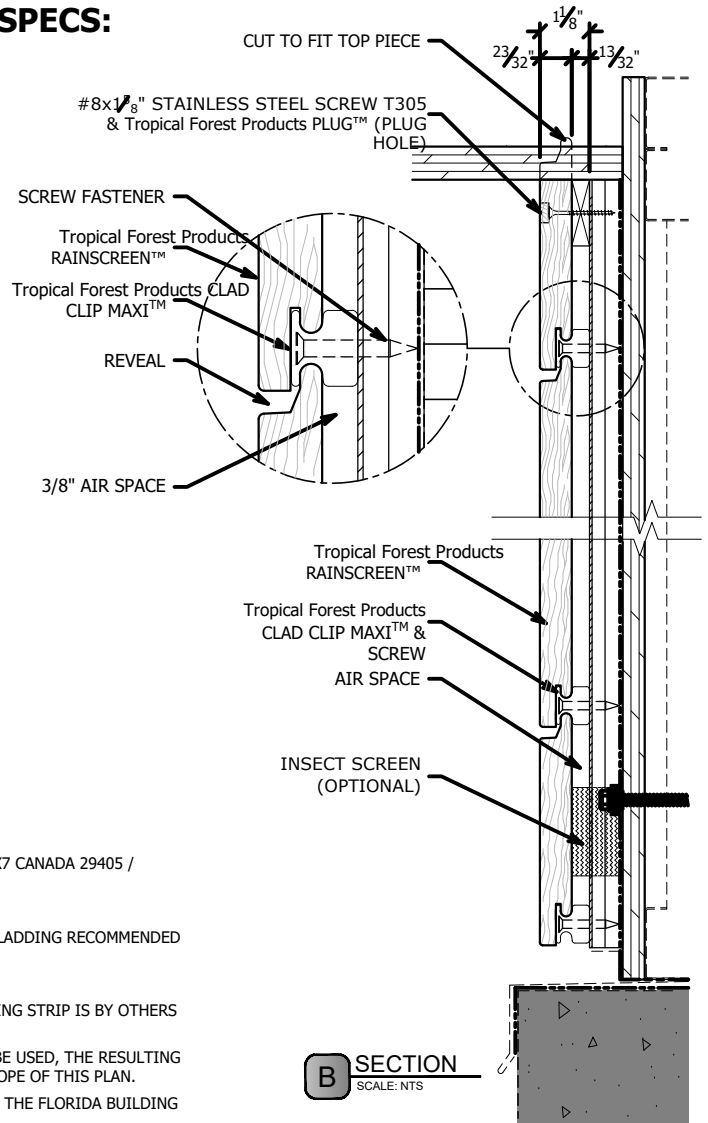
HORIZONTAL APPLICATION: CLAD CLIP SPECS:



A ELEVATION
SCALE: NTS

NOTES

1. BASIS OF DESIGN - TFP® RAINSCREEN SYSTEM - ADDRESS: 6200 TOMKEN RD, MISSISSAUGA, ON L5T 1X7 CANADA 29405 / PHONE: 905.672.8000
2. TFP® CLADDING - WOOD SPECIES AS DENOTED IN PLANS AND SPECIFICATIONS
3. APPLICATION OF FIRST COAT OF Tropical Forest Products IPE + MARINE OIL TO ALL FACES OF WOOD CLADDING RECOMMENDED PRIOR TO CLADDING INSTALLATION
4. USE #10 X 1.25" 410 STAINLESS STEEL SELF DRILLING FLAT HEAD SCREW SUPPLIED BY TFP
5. IF METAL FURRING STRIPS ARE USED, USE #10 X 3/4" SCREW. ATTACHMENT AND INTEGRITY OF FURRING STRIP IS BY OTHERS AND SHALL MEET ALL IMPOSING LOADS, METAL FURRING MUST BE 18 GA MINIMUM.
6. NOTE: IF A LESSER DIAMETER SCREW OR OTHER THAN MANUFACTURE'S SCREW TYPE IS DESIRED TO BE USED, THE RESULTING PRESSURES AND SPACING WILL CHANGE. THE PERMUTATIONS OF THESE OPTIONS IS OUTSIDE THE SCOPE OF THIS PLAN.
7. ALL WORK SPECIFIED HEREIN HAS BEEN DESIGNED AND SHALL BE FABRICATED IN ACCORDANCE WITH THE FLORIDA BUILDING CODE FIFTH EDITION (2014)
8. ALL MATERIALS USED & FABRICATION METHODS SHALL CONFORM TO THE MANUFACTURER'S PUBLISHED AND APPROVED REQUIREMENTS .
9. ALL FASTENERS TO BE STAINLESS STEEL.



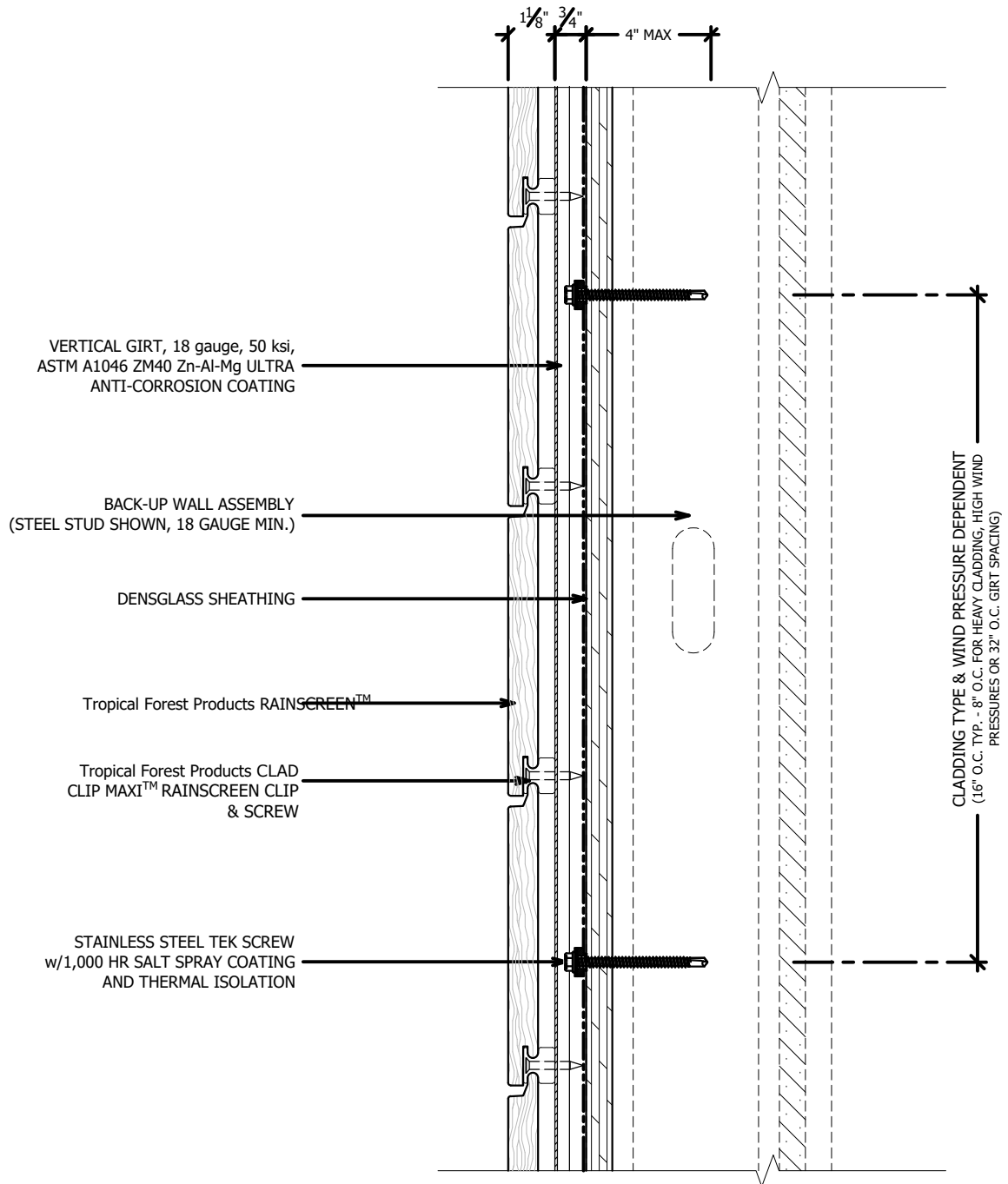
SIDING SIZES	TYPE OF CONNECTION	PANEL/FURRING THICKNESS	CLIP SPACING	CLIP TYPE	SCREWS PER CLIP	SCREW	ALLOWABLE PRESSURE
1" X 8"	CLIP TO STEEL FURRING	20 GA.-16 GA.	16"	MAXI	1 PCS.	#10 X 1.25	110.0 PSF
1" X 6"	CLIP TO STEEL FURRING	20 GA.-16 GA.	16"	MAXI	1 PCS.	#10 X 1.25	110.0 PSF
1" X 4"	CLIP TO STEEL FURRING	20 GA.-16 GA.	16"	MAXI	1 PCS.	#10 X 1.25	110.0 PSF

C RAINSCREEN ATTACHMENT TABLE
SCALE: NTS

THESE GUIDE DETAILS ARE PROVIDED FOR INFORMATION ONLY AND OUTLINE GENERAL/TYPICAL REQUIREMENTS FOR THE ATTACHMENT SYSTEM. PROJECT SPECIFIC ENGINEERING WILL ADDRESS STRUCTURAL ATTACHMENT (I.E. FASTENING PATTERN, ETC.). CONTACT KWS FOR FURTHER DETAILS. ALL IMPLIED WARRANTIES INCLUDING MERCHANTABILITY & FITNESS FOR A PARTICULAR PURPOSE ARE EXPRESSLY EXCLUDED.

TROPICAL

HORIZONTAL APPLICATION: TYPICAL SECTION VIEW: SCALE: 3"=1'-0"



*MAXIMUM ALLOWABLE SPACING AND DEAD LOAD (WEIGHT OF CLADDING) IS BASED ON THE TOTAL LOAD (DEAD + LIVE) ACTING ON THE ASSEMBLY, BRACKETS AND CONNECTIONS

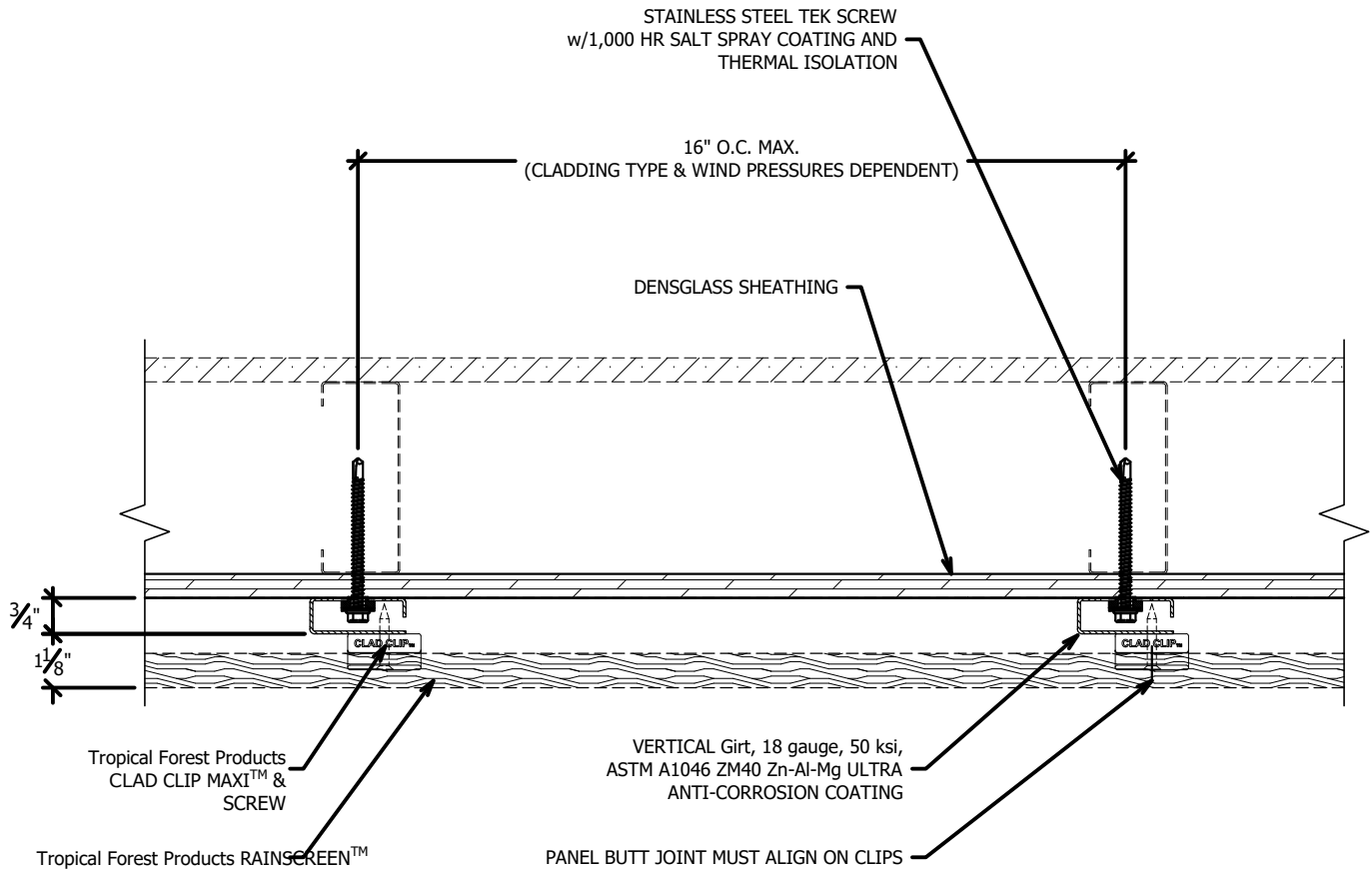
SYSTEM MAY BE INSTALLED OVER STEEL STUDS, WOOD STUDS, CMU OR CONCRETE SUBSTRATES (WITH USE OF APPROPRIATE WALL ANCHORS).

THESE GUIDE DETAILS ARE PROVIDED FOR INFORMATION ONLY AND OUTLINE GENERAL/TYPICAL REQUIREMENTS FOR THE ATTACHMENT SYSTEM. PROJECT SPECIFIC ENGINEERING WILL ADDRESS STRUCTURAL ATTACHMENT (I.E. FASTENING PATTERN, ETC.). CONTACT KWS FOR FURTHER DETAILS. ALL IMPLIED WARRANTIES INCLUDING MERCHANTABILITY & FITNESS FOR A PARTICULAR PURPOSE ARE EXPRESSLY EXCLUDED.

TROPICAL

HORIZONTAL APPLICATION: TYPICAL PLAN VIEW: SCALE: 3"=1'-0"

SYSTEM MAY BE INSTALLED OVER STEEL STUDS,
WOOD STUDS, CMU OR CONCRETE SUBSTRATES
(WITH USE OF APPROPRIATE WALL ANCHORS).

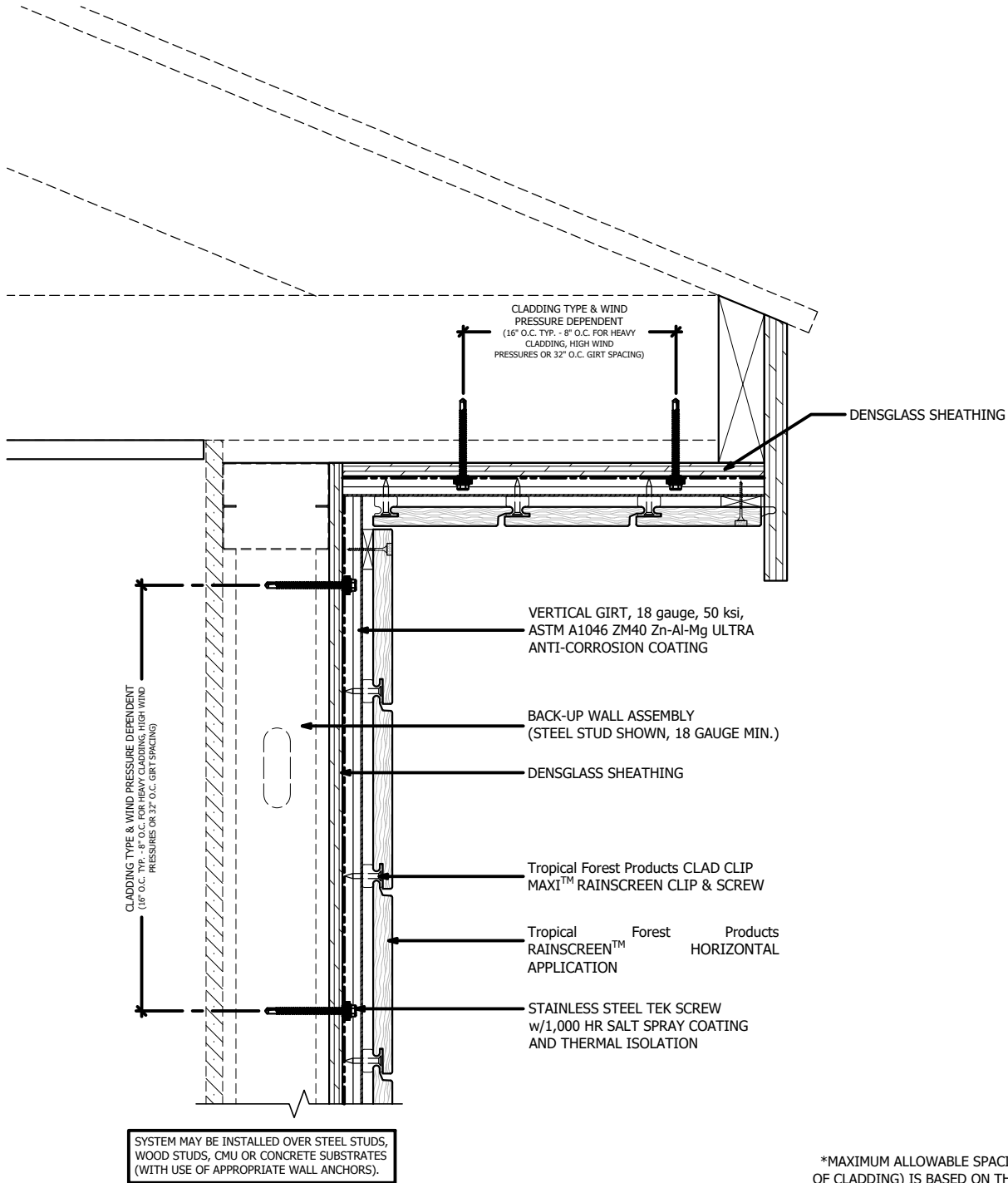


*MAXIMUM ALLOWABLE SPACING AND DEAD LOAD (WEIGHT
OF CLADDING) IS BASED ON THE TOTAL LOAD (DEAD + LIVE)
ACTING ON THE ASSEMBLY, BRACKETS AND CONNECTIONS

THESE GUIDE DETAILS ARE PROVIDED FOR INFORMATION ONLY AND OUTLINE GENERAL/TYPICAL REQUIREMENTS FOR THE ATTACHMENT SYSTEM. PROJECT SPECIFIC ENGINEERING WILL ADDRESS STRUCTURAL ATTACHMENT (i.e. FASTENING PATTERN, ETC.). CONTACT KWS FOR FURTHER DETAILS. ALL IMPLIED WARRANTIES INCLUDING MERCHANTABILITY & FITNESS FOR A PARTICULAR PURPOSE ARE EXPRESSLY EXCLUDED.

TROPICAL

HORIZONTAL APPLICATION: TYPICAL SECTION VIEW W/ SOFFIT: SCALE: 2"=1'-0"

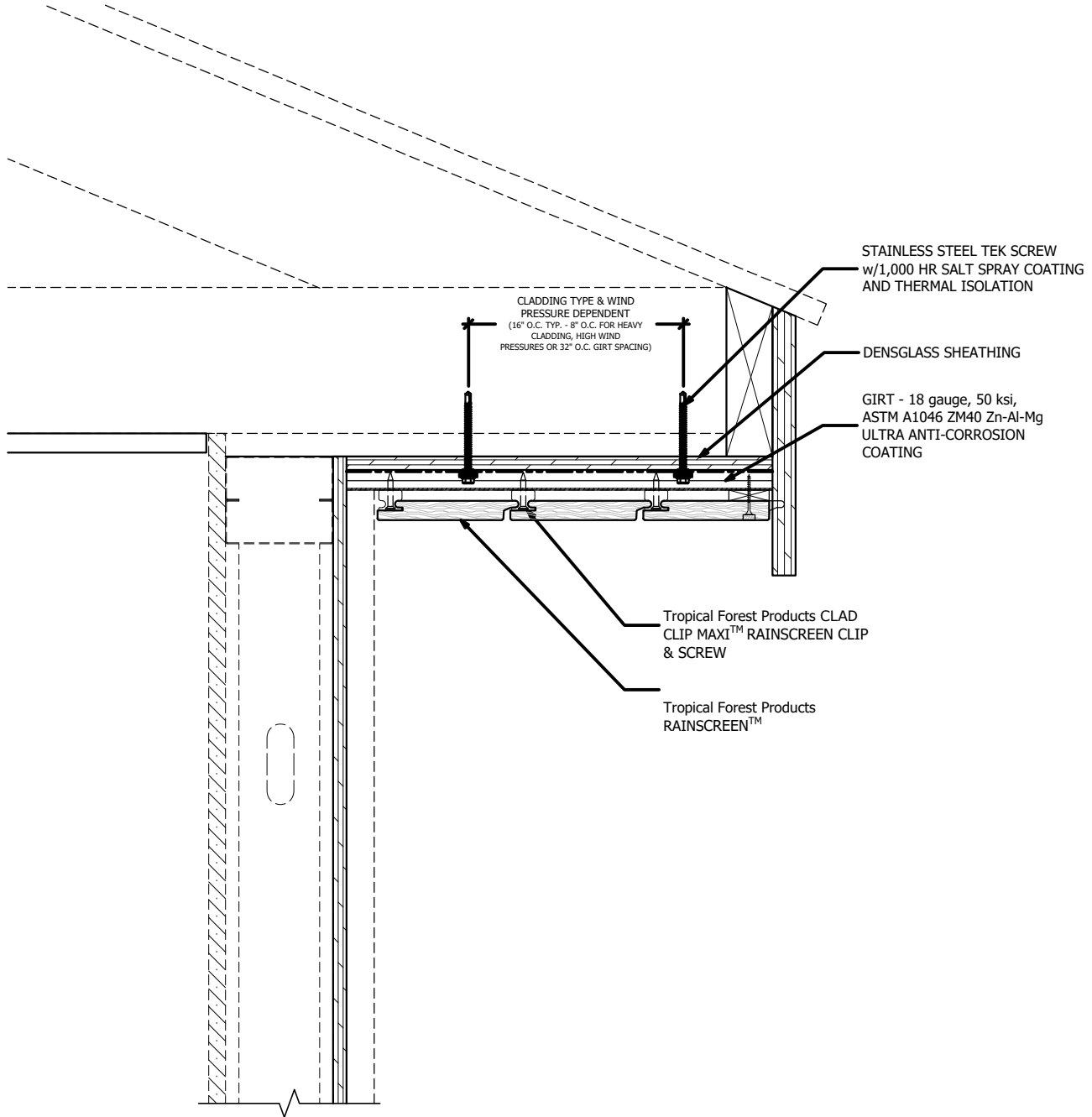


TROPICAL FOREST PRODUCTS COPYRIGHT 2021

THESE GUIDE DETAILS ARE PROVIDED FOR INFORMATION ONLY AND OUTLINE GENERAL/TYPICAL REQUIREMENTS FOR THE ATTACHMENT SYSTEM. PROJECT SPECIFIC ENGINEERING WILL ADDRESS STRUCTURAL ATTACHMENT (I.E. FASTENING PATTERN, ETC.). CONTACT KWS FOR FURTHER DETAILS. ALL IMPLIED WARRANTIES INCLUDING MERCHANTABILITY & FITNESS FOR A PARTICULAR PURPOSE ARE EXPRESSLY EXCLUDED.

TROPICAL

HORIZONTAL APPLICATION: TYPICAL SECTION VIEW SOFFIT ONLY: SCALE: 2"=1'-0"



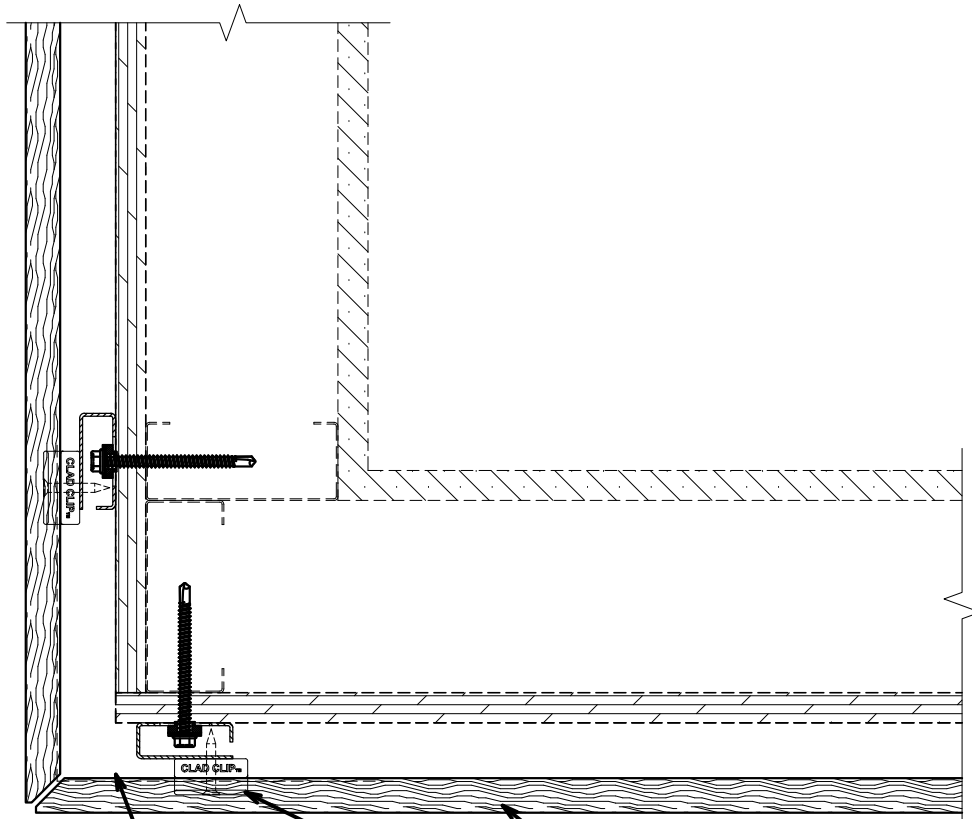
SYSTEM MAY BE INSTALLED OVER STEEL STUDS,
WOOD STUDS, CMU OR CONCRETE SUBSTRATES
(WITH USE OF APPROPRIATE WALL ANCHORS).

*MAXIMUM ALLOWABLE SPACING AND DEAD LOAD (WEIGHT
OF CLADDING) IS BASED ON THE TOTAL LOAD (DEAD + LIVE)
ACTING ON THE ASSEMBLY, BRACKETS AND CONNECTIONS

THESE GUIDE DETAILS ARE PROVIDED FOR INFORMATION ONLY AND OUTLINE GENERAL/TYPICAL REQUIREMENTS FOR THE ATTACHMENT SYSTEM. PROJECT SPECIFIC ENGINEERING WILL ADDRESS STRUCTURAL ATTACHMENT (I.E. FASTENING PATTERN, ETC.). CONTACT KWS FOR FURTHER DETAILS. ALL IMPLIED WARRANTIES INCLUDING MERCHANTABILITY & FITNESS FOR A PARTICULAR PURPOSE ARE EXPRESSLY EXCLUDED.

TROPICAL

**HORIZONTAL APPLICATION:
TYPICAL OUTSIDE CORNER CONDITION: MITER W/ GAP
SCALE: 3"=1'-0"**



BACKING ('L') MAY BE REQUIRED
AT OUTSIDE CORNER. CONSULT
CLADDING MANUFACTURER
FOR DETAILS & REQUIREMENTS.

BLACK LABEL RAINSCREEN™

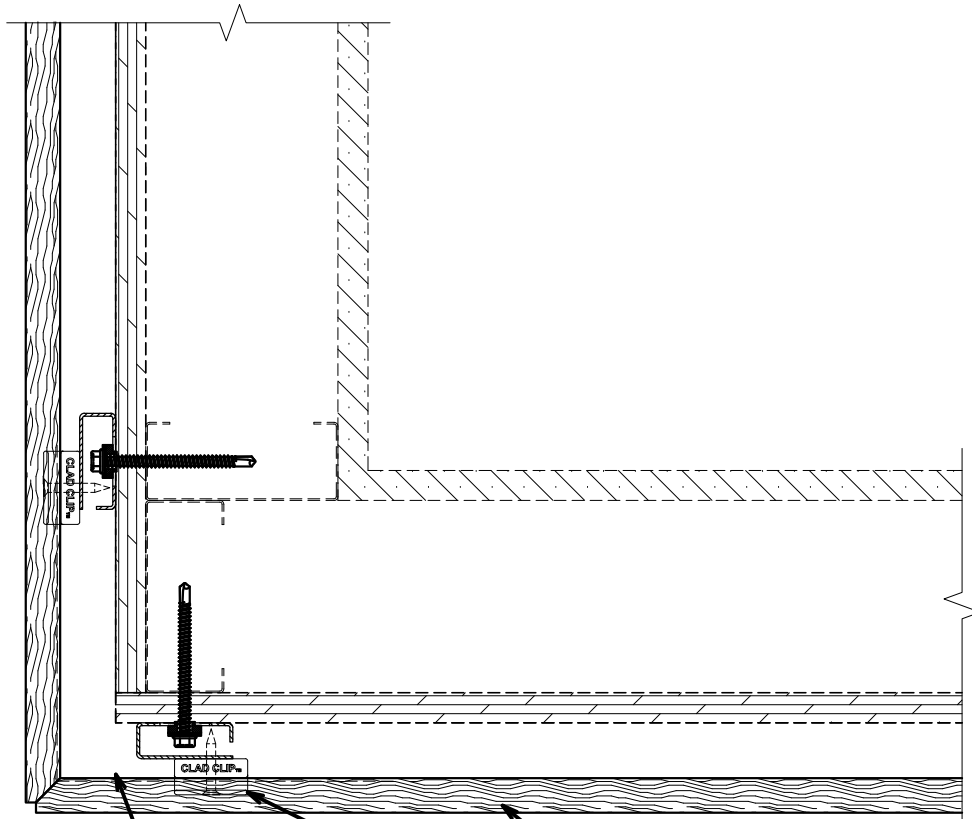
Tropical Forest Products
CLAD CLIP MAXI™ &
SCREW

*MAXIMUM ALLOWABLE SPACING AND DEAD LOAD (WEIGHT
OF CLADDING) IS BASED ON THE TOTAL LOAD (DEAD + LIVE)
ACTING ON THE ASSEMBLY, BRACKETS AND CONNECTIONS

THESE GUIDE DETAILS ARE PROVIDED FOR INFORMATION ONLY AND OUTLINE GENERAL/TYPICAL REQUIREMENTS FOR THE ATTACHMENT SYSTEM. PROJECT SPECIFIC ENGINEERING WILL ADDRESS STRUCTURAL ATTACHMENT (I.E. FASTENING PATTERN, ETC.). CONTACT KWS FOR FURTHER DETAILS. ALL IMPLIED WARRANTIES INCLUDING MERCHANTABILITY & FITNESS FOR A PARTICULAR PURPOSE ARE EXPRESSLY EXCLUDED.

TROPICAL

HORIZONTAL APPLICATION: TYPICAL OUTSIDE CORNER CONDITION: MITER SCALE: 3"=1'-0"



BACKING ('L') MAY BE REQUIRED
AT OUTSIDE CORNER. CONSULT
CLADDING MANUFACTURER
FOR DETAILS & REQUIREMENTS.

Tropical Forest Products
RAINSCREEN™

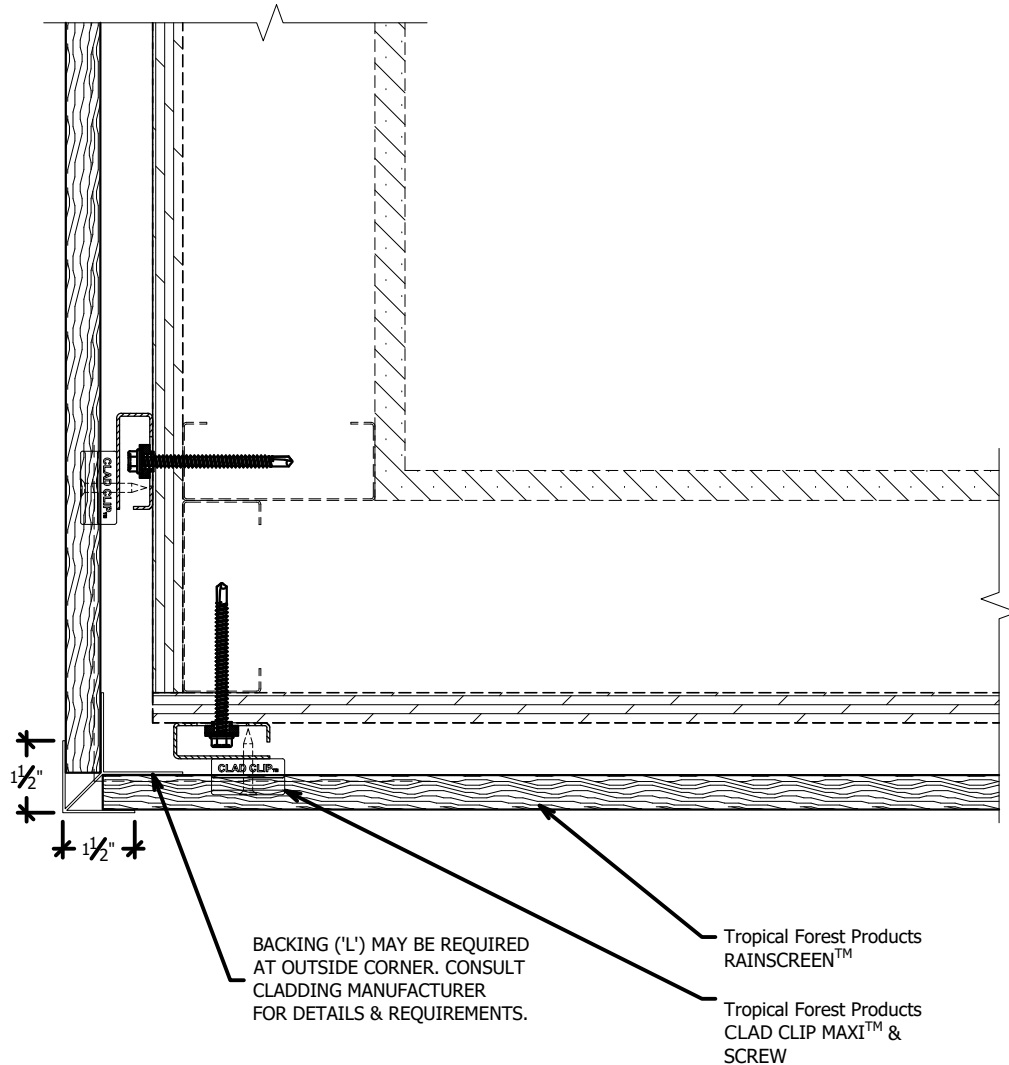
Tropical Forest Products
CLAD CLIP MAXI™ &
SCREW

*MAXIMUM ALLOWABLE SPACING AND DEAD LOAD (WEIGHT
OF CLADDING) IS BASED ON THE TOTAL LOAD (DEAD + LIVE)
ACTING ON THE ASSEMBLY, BRACKETS AND CONNECTIONS

THESE GUIDE DETAILS ARE PROVIDED FOR INFORMATION ONLY AND OUTLINE GENERAL/TYPICAL REQUIREMENTS FOR THE ATTACHMENT SYSTEM. PROJECT SPECIFIC ENGINEERING WILL ADDRESS STRUCTURAL ATTACHMENT (I.E. FASTENING PATTERN, ETC.). CONTACT KWS FOR FURTHER DETAILS. ALL IMPLIED WARRANTIES INCLUDING MERCHANTABILITY & FITNESS FOR A PARTICULAR PURPOSE ARE EXPRESSLY EXCLUDED.

TROPICAL

HORIZONTAL APPLICATION: TYPICAL OUTSIDE CORNER CONDITION: ALUMINUM EXTRUSION SCALE: 3"=1'-0"

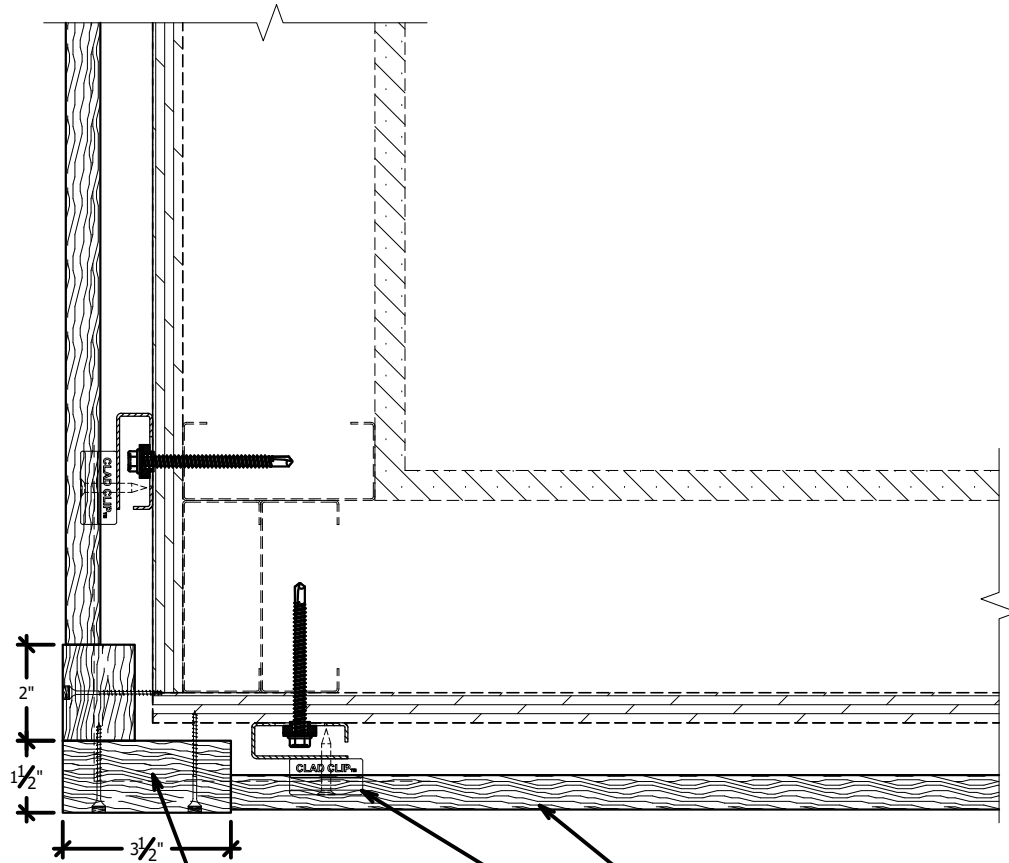


*MAXIMUM ALLOWABLE SPACING AND DEAD LOAD (WEIGHT OF CLADDING) IS BASED ON THE TOTAL LOAD (DEAD + LIVE) ACTING ON THE ASSEMBLY, BRACKETS AND CONNECTIONS

THESE GUIDE DETAILS ARE PROVIDED FOR INFORMATION ONLY AND OUTLINE GENERAL/TYPICAL REQUIREMENTS FOR THE ATTACHMENT SYSTEM. PROJECT SPECIFIC ENGINEERING WILL ADDRESS STRUCTURAL ATTACHMENT (I.E. FASTENING PATTERN, ETC.). CONTACT KWS FOR FURTHER DETAILS. ALL IMPLIED WARRANTIES INCLUDING MERCHANTABILITY & FITNESS FOR A PARTICULAR PURPOSE ARE EXPRESSLY EXCLUDED.

TROPICAL

HORIZONTAL APPLICATION: TYPICAL OUTSIDE CORNER CONDITION: FLUSH WOOD SCALE: 3"=1'-0"



BACKING ('L') MAY BE REQUIRED
AT OUTSIDE CORNER. CONSULT
CLADDING MANUFACTURER
FOR DETAILS & REQUIREMENTS.

Tropical Forest Products
RAINSCREEN™ HORIZONTAL
APPLICATION

Tropical Forest Products
CLAD CLIP MAXI™ & SCREW

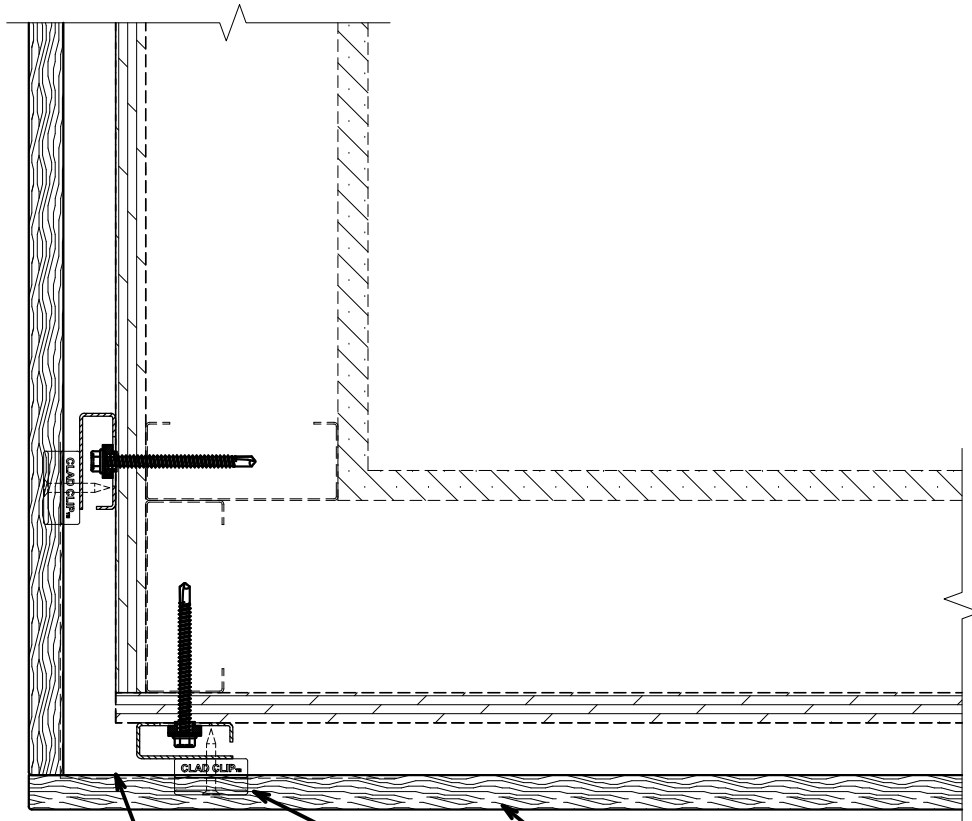
*MAXIMUM ALLOWABLE SPACING AND DEAD LOAD (WEIGHT
OF CLADDING) IS BASED ON THE TOTAL LOAD (DEAD + LIVE)
ACTING ON THE ASSEMBLY, BRACKETS AND CONNECTIONS

THESE GUIDE DETAILS ARE PROVIDED FOR INFORMATION ONLY AND OUTLINE GENERAL/TYPICAL REQUIREMENTS FOR THE ATTACHMENT SYSTEM. PROJECT SPECIFIC ENGINEERING WILL ADDRESS STRUCTURAL ATTACHMENT (I.E. FASTENING PATTERN, ETC.). CONTACT KWS FOR FURTHER DETAILS. ALL IMPLIED WARRANTIES INCLUDING MERCHANTABILITY & FITNESS FOR A PARTICULAR PURPOSE ARE EXPRESSLY EXCLUDED.



TROPICAL

HORIZONTAL APPLICATION: TYPICAL OUTSIDE CORNER CONDITION: BUTT JOINT SCALE: 3"=1'-0"



BACKING ('L') MAY BE REQUIRED
AT OUTSIDE CORNER. CONSULT
CLADDING MANUFACTURER
FOR DETAILS & REQUIREMENTS.

Tropical Forest Products
RAINSCREEN™

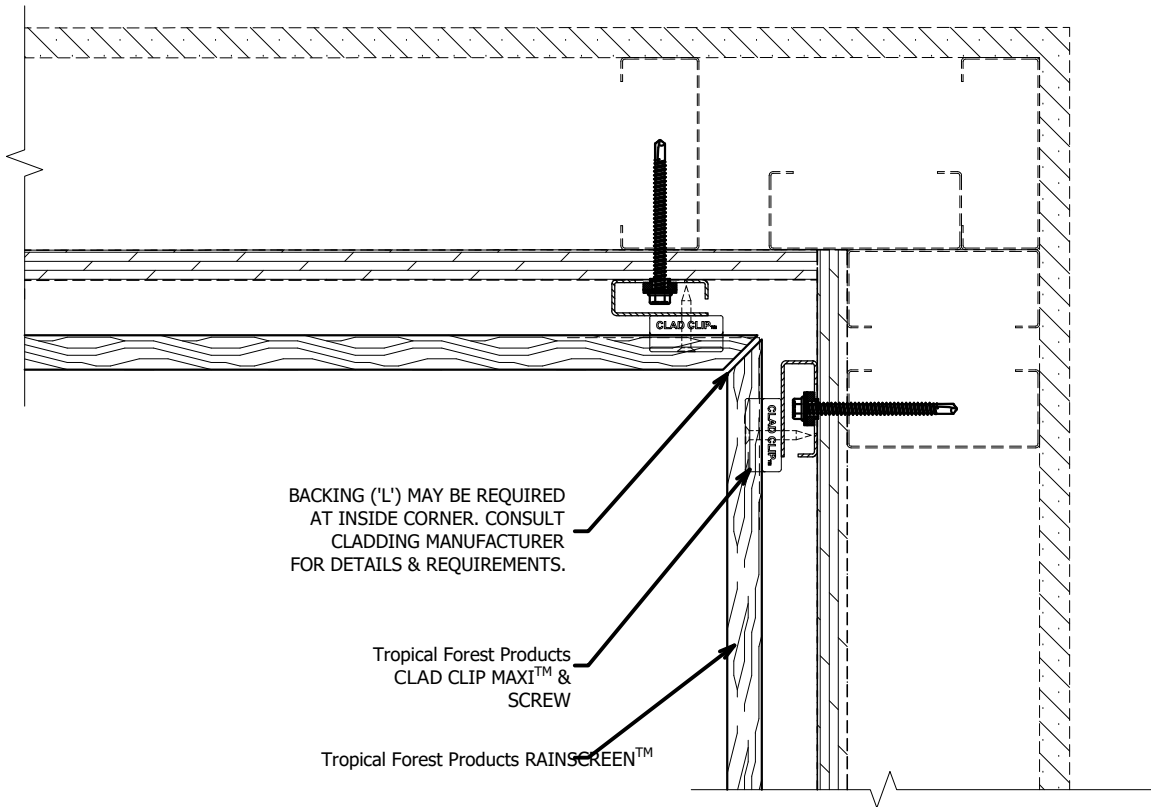
Tropical Forest Products
CLAD CLIP MAXI™ &
SCREW

*MAXIMUM ALLOWABLE SPACING AND DEAD LOAD (WEIGHT
OF CLADDING) IS BASED ON THE TOTAL LOAD (DEAD + LIVE)
ACTING ON THE ASSEMBLY, BRACKETS AND CONNECTIONS

THESE GUIDE DETAILS ARE PROVIDED FOR INFORMATION ONLY AND OUTLINE GENERAL/TYPICAL REQUIREMENTS FOR THE ATTACHMENT SYSTEM. PROJECT SPECIFIC ENGINEERING WILL ADDRESS STRUCTURAL ATTACHMENT (i.e. FASTENING PATTERN, ETC.). CONTACT KWS FOR FURTHER DETAILS. ALL IMPLIED WARRANTIES INCLUDING MERCHANTABILITY & FITNESS FOR A PARTICULAR PURPOSE ARE EXPRESSLY EXCLUDED.

TROPICAL

**HORIZONTAL APPLICATION:
TYPICAL INSIDE CORNER CONDITION: MITER W/ GAP
SCALE: 3"=1'-0"**



TROPICAL FOREST PRODUCTS COPYRIGHT 2021

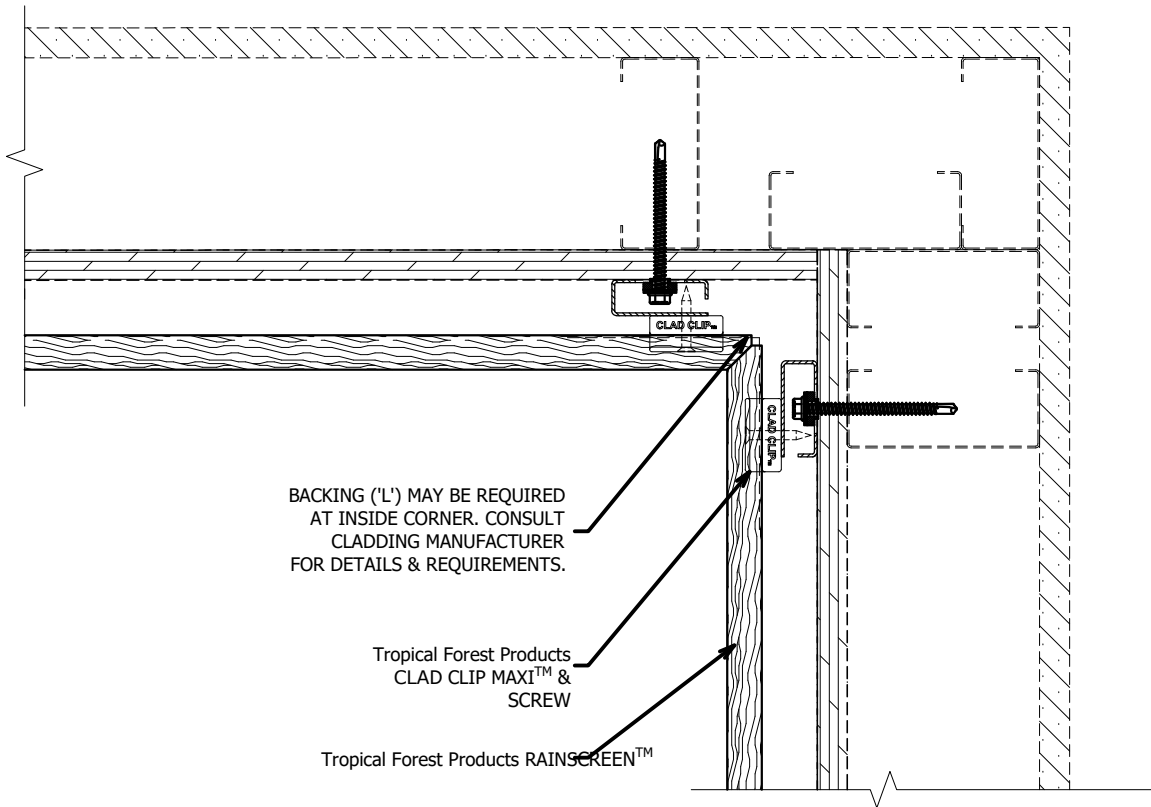
*MAXIMUM ALLOWABLE SPACING AND DEAD LOAD (WEIGHT OF CLADDING) IS BASED ON THE TOTAL LOAD (DEAD + LIVE) ACTING ON THE ASSEMBLY, BRACKETS AND CONNECTIONS

THESE GUIDE DETAILS ARE PROVIDED FOR INFORMATION ONLY AND OUTLINE GENERAL/TYPICAL REQUIREMENTS FOR THE ATTACHMENT SYSTEM. PROJECT SPECIFIC ENGINEERING WILL ADDRESS STRUCTURAL ATTACHMENT (I.E. FASTENING PATTERN, ETC.). CONTACT KWS FOR FURTHER DETAILS. ALL IMPLIED WARRANTIES INCLUDING MERCHANTABILITY & FITNESS FOR A PARTICULAR PURPOSE ARE EXPRESSLY EXCLUDED.



TROPICAL

HORIZONTAL APPLICATION: TYPICAL INSIDE CORNER CONDITION: MITER SCALE: 3"=1'-0"



TROPICAL FOREST PRODUCTS COPYRIGHT 2021

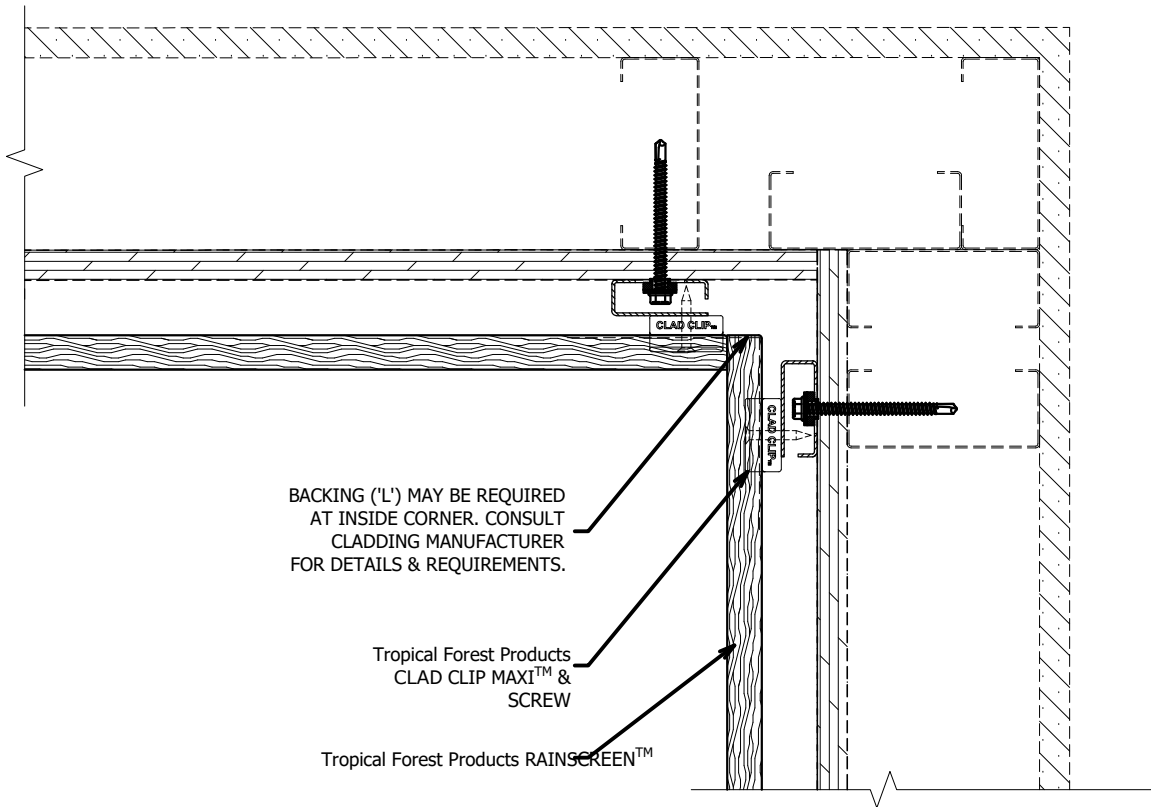
*MAXIMUM ALLOWABLE SPACING AND DEAD LOAD (WEIGHT OF CLADDING) IS BASED ON THE TOTAL LOAD (DEAD + LIVE) ACTING ON THE ASSEMBLY, BRACKETS AND CONNECTIONS

THESE GUIDE DETAILS ARE PROVIDED FOR INFORMATION ONLY AND OUTLINE GENERAL/TYPICAL REQUIREMENTS FOR THE ATTACHMENT SYSTEM. PROJECT SPECIFIC ENGINEERING WILL ADDRESS STRUCTURAL ATTACHMENT (I.E. FASTENING PATTERN, ETC.). CONTACT KWS FOR FURTHER DETAILS. ALL IMPLIED WARRANTIES INCLUDING MERCHANTABILITY & FITNESS FOR A PARTICULAR PURPOSE ARE EXPRESSLY EXCLUDED.



TROPICAL

**HORIZONTAL APPLICATION:
TYPICAL INSIDE CORNER CONDITION: BUTT JOINT
SCALE: 3"=1'-0"**



TROPICAL FOREST PRODUCTS COPYRIGHT 2021

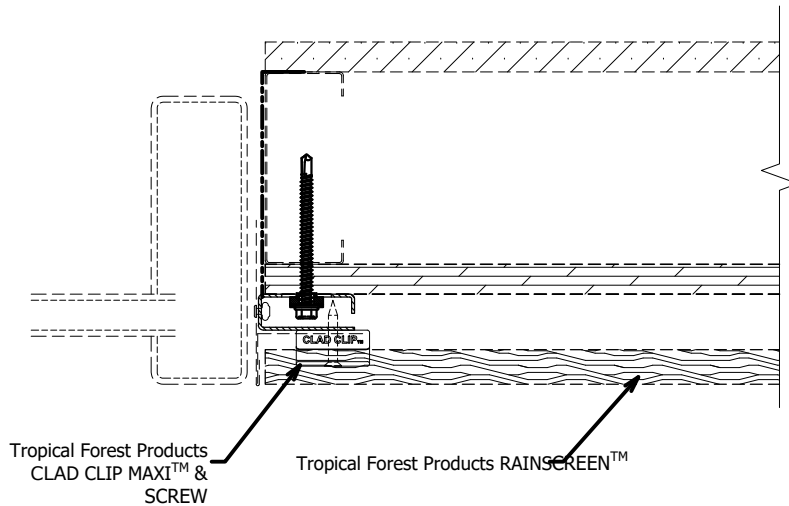
*MAXIMUM ALLOWABLE SPACING AND DEAD LOAD (WEIGHT OF CLADDING) IS BASED ON THE TOTAL LOAD (DEAD + LIVE) ACTING ON THE ASSEMBLY, BRACKETS AND CONNECTIONS

THESE GUIDE DETAILS ARE PROVIDED FOR INFORMATION ONLY AND OUTLINE GENERAL/TYPICAL REQUIREMENTS FOR THE ATTACHMENT SYSTEM. PROJECT SPECIFIC ENGINEERING WILL ADDRESS STRUCTURAL ATTACHMENT (I.E. FASTENING PATTERN, ETC.). CONTACT KWS FOR FURTHER DETAILS. ALL IMPLIED WARRANTIES INCLUDING MERCHANTABILITY & FITNESS FOR A PARTICULAR PURPOSE ARE EXPRESSLY EXCLUDED.



TROPICAL

HORIZONTAL APPLICATION: TYPICAL JAMB CONDITION SCALE: 3"=1'-0"



ENSURE THE FULL WIDTH OF THE Girt RESTS ON INSULATION. DO NOT ALLOW Girt TO OVERHANG INSULATION.

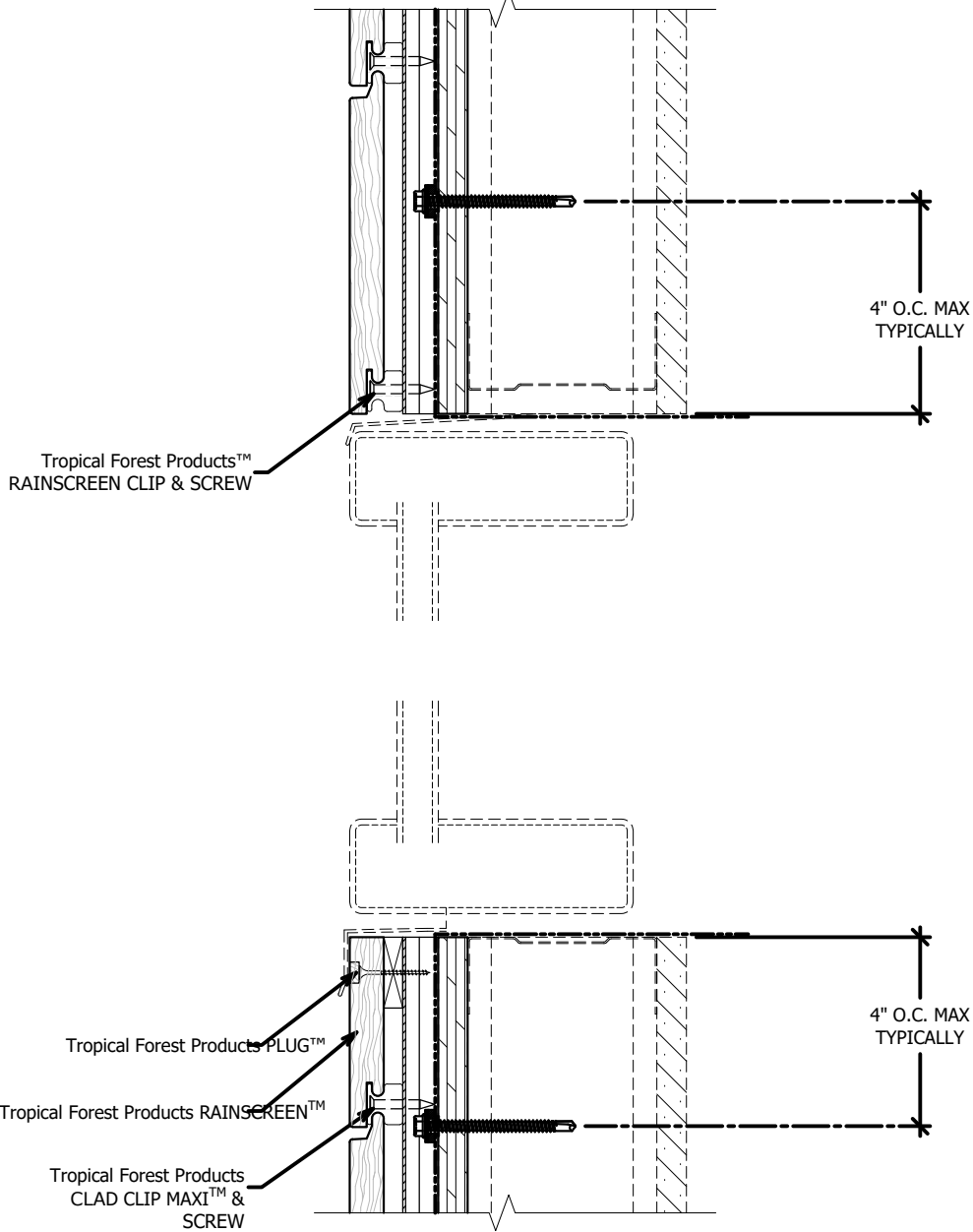
* FLASHING DETAILS VARY BASED ON WINDOW TYPE, POSITION (INSET VS FLUSH) AND CLADDING TYPE.

*MAXIMUM ALLOWABLE SPACING AND DEAD LOAD (WEIGHT OF CLADDING) IS BASED ON THE TOTAL LOAD (DEAD + LIVE) ACTING ON THE ASSEMBLY, BRACKETS AND CONNECTIONS

THESE GUIDE DETAILS ARE PROVIDED FOR INFORMATION ONLY AND OUTLINE GENERAL/TYPICAL REQUIREMENTS FOR THE ATTACHMENT SYSTEM. PROJECT SPECIFIC ENGINEERING WILL ADDRESS STRUCTURAL ATTACHMENT (I.E. FASTENING PATTERN, ETC.). CONTACT KWS FOR FURTHER DETAILS. ALL IMPLIED WARRANTIES INCLUDING MERCHANTABILITY & FITNESS FOR A PARTICULAR PURPOSE ARE EXPRESSLY EXCLUDED.

TROPICAL

HORIZONTAL APPLICATION: TYPICAL HEAD & SILL CONDITION SCALE: 3"=1'-0"



ENSURE THE Girt DOES NOT EXTEND/CANTILEVER PAST SHEATHING.

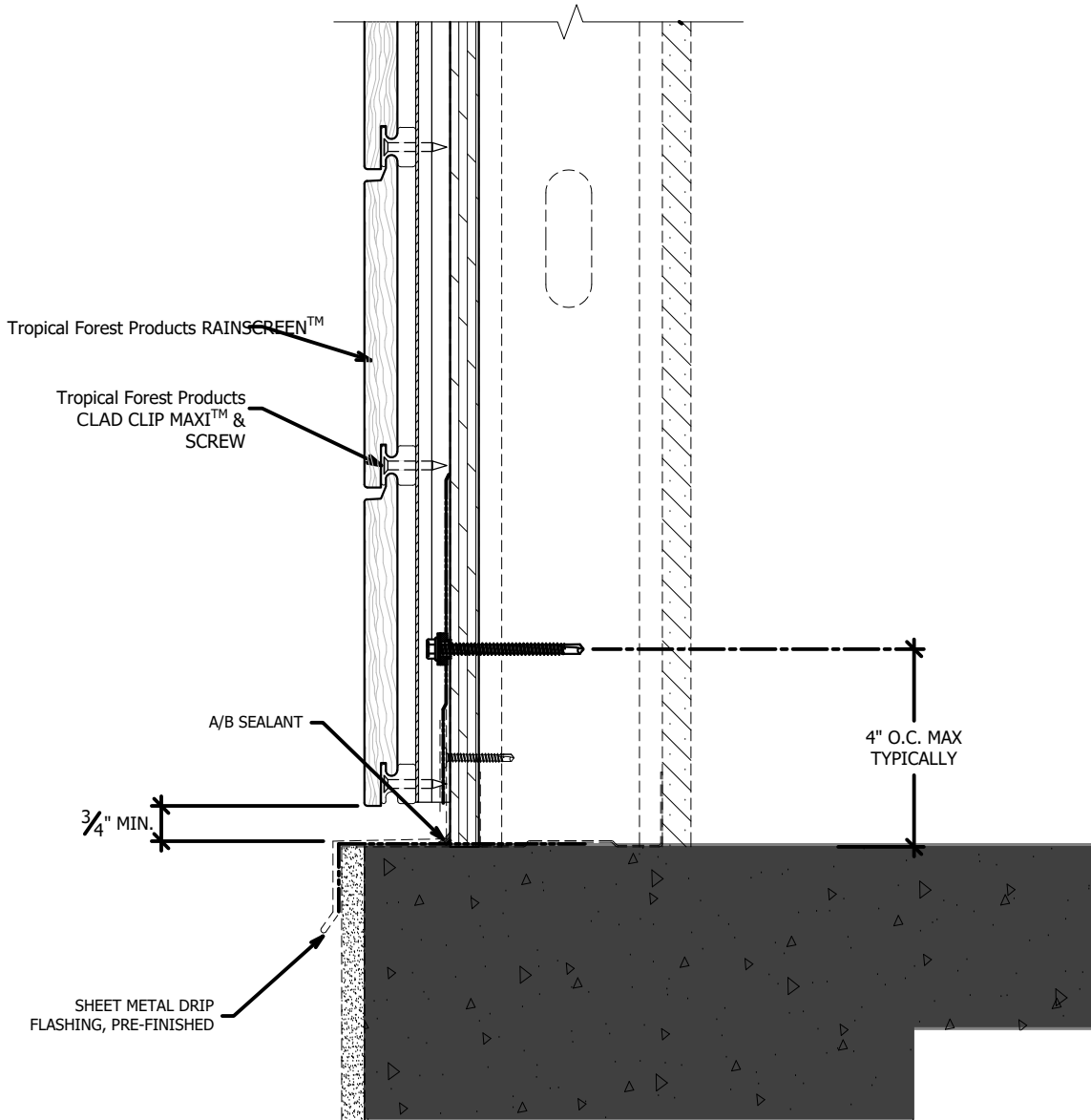
* FLASHING DETAILS VARY BASED ON WINDOW TYPE,
POSITION (INSET VS FLUSH) AND CLADDING TYPE.
FLASHING IS NOT BY KWS.

*MAXIMUM ALLOWABLE SPACING AND DEAD LOAD (WEIGHT
OF CLADDING) IS BASED ON THE TOTAL LOAD (DEAD + LIVE)
ACTING ON THE ASSEMBLY, BRACKETS AND CONNECTIONS

THESE GUIDE DETAILS ARE PROVIDED FOR INFORMATION ONLY AND OUTLINE GENERAL/TYPICAL REQUIREMENTS FOR THE ATTACHMENT SYSTEM. PROJECT SPECIFIC ENGINEERING WILL ADDRESS STRUCTURAL ATTACHMENT (i.e. FASTENING PATTERN, ETC.). CONTACT KWS FOR FURTHER DETAILS. ALL IMPLIED WARRANTIES INCLUDING MERCHANTABILITY & FITNESS FOR A PARTICULAR PURPOSE ARE EXPRESSLY EXCLUDED.

TROPICAL

HORIZONTAL APPLICATION: TYPICAL BASE OF WALL CONDITION SCALE: 3"=1'-0"



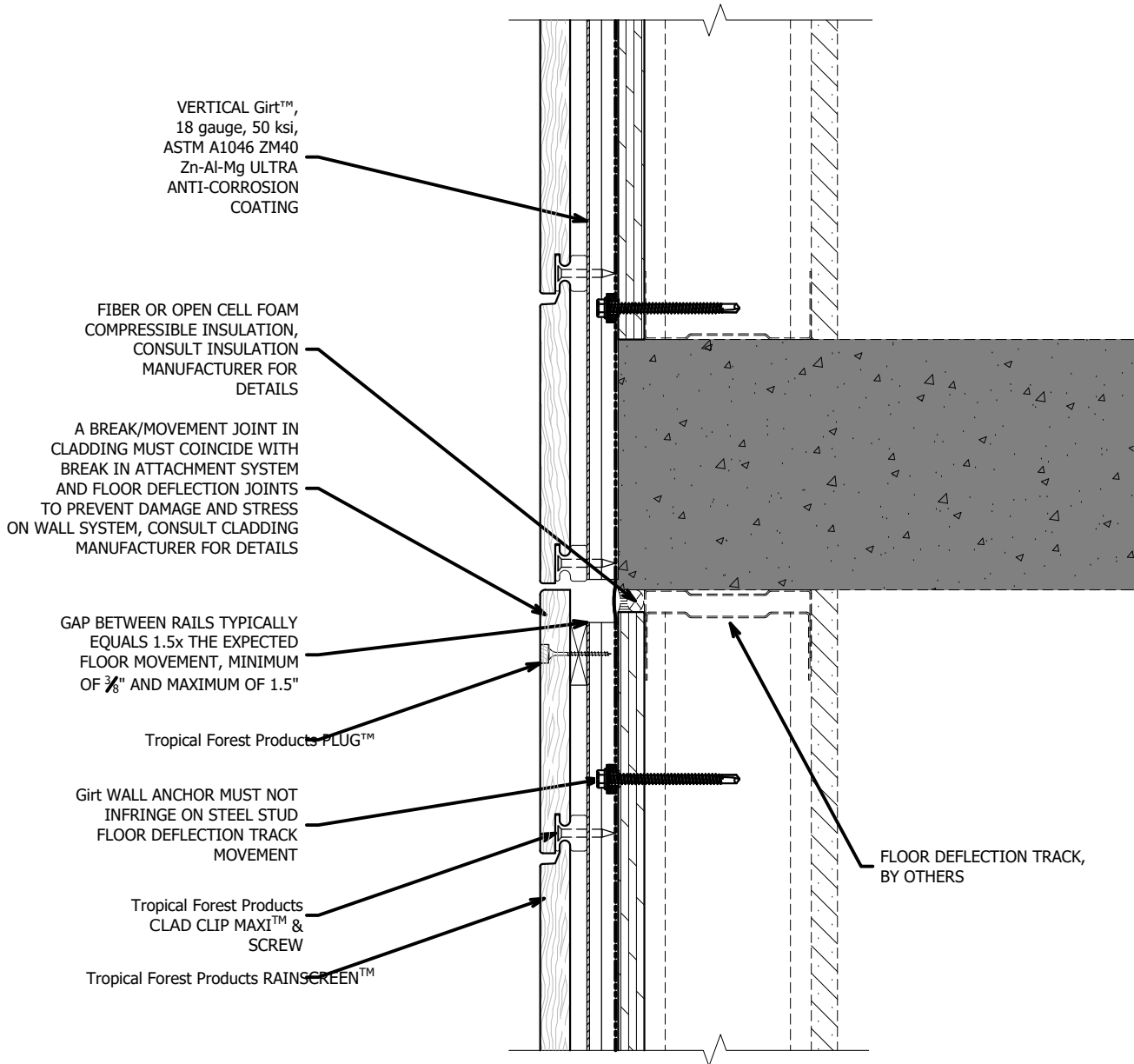
* CLEAR & UNRESTRICTED VENTILATION & DRAINAGE
REQUIRED AT BASE OF WALL

*MAXIMUM ALLOWABLE SPACING AND DEAD LOAD (WEIGHT
OF CLADDING) IS BASED ON THE TOTAL LOAD (DEAD + LIVE)
ACTING ON THE ASSEMBLY, BRACKETS AND CONNECTIONS

THESE GUIDE DETAILS ARE PROVIDED FOR INFORMATION ONLY AND OUTLINE GENERAL/TYPICAL REQUIREMENTS FOR THE ATTACHMENT SYSTEM. PROJECT SPECIFIC ENGINEERING WILL ADDRESS STRUCTURAL ATTACHMENT (i.e. FASTENING PATTERN, ETC.). CONTACT KWS FOR FURTHER DETAILS. ALL IMPLIED WARRANTIES INCLUDING MERCHANTABILITY & FITNESS FOR A PARTICULAR PURPOSE ARE EXPRESSLY EXCLUDED.

TROPICAL

HORIZONTAL APPLICATION: TYPICAL FLOOR DEFLECTION JOINT SCALE: 3"=1'-0"



TROPICAL FOREST PRODUCTS COPYRIGHT 2021

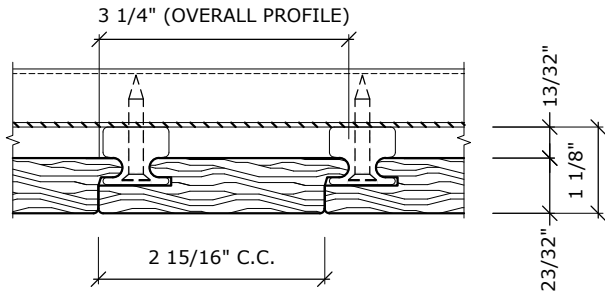
*MAXIMUM ALLOWABLE SPACING AND DEAD LOAD (WEIGHT OF CLADDING) IS BASED ON THE TOTAL LOAD (DEAD + LIVE) ACTING ON THE ASSEMBLY, BRACKETS AND CONNECTIONS

THESE GUIDE DETAILS ARE PROVIDED FOR INFORMATION ONLY AND OUTLINE GENERAL/TYPICAL REQUIREMENTS FOR THE ATTACHMENT SYSTEM. PROJECT SPECIFIC ENGINEERING WILL ADDRESS STRUCTURAL ATTACHMENT (i.e. FASTENING PATTERN, ETC.). CONTACT KWS FOR FURTHER DETAILS. ALL IMPLIED WARRANTIES INCLUDING MERCHANTABILITY & FITNESS FOR A PARTICULAR PURPOSE ARE EXPRESSLY EXCLUDED.

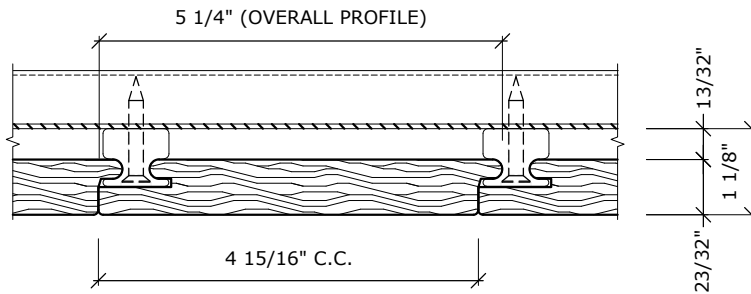


TROPICAL

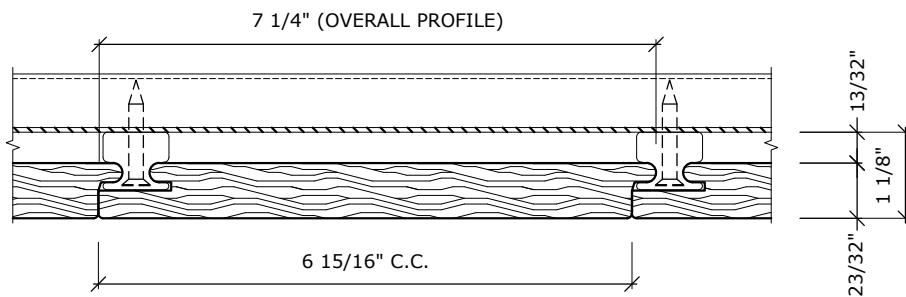
VERTICAL APPLICATION: LAYUP DIMENSIONS: 1" WITH NO REVEAL SCALE: NTS



A Tropical Forest Products CLAD CLIP MAXI w/ 1" X 4" NO REVEAL RAINSCREEN
SCALE: NTS



B Tropical Forest Products CLAD CLIP MAXI w/ 1" X 6" NO REVEAL RAINSCREEN
SCALE: NTS



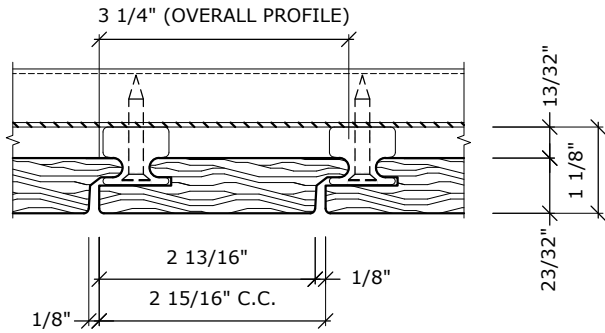
C Tropical Forest Products CLAD CLIP MAXI w/ 1" X 8" NO REVEAL RAINSCREEN
SCALE: NTS

THESE GUIDE DETAILS ARE PROVIDED FOR INFORMATION ONLY AND OUTLINE GENERAL/TYPICAL REQUIREMENTS FOR THE ATTACHMENT SYSTEM. PROJECT SPECIFIC ENGINEERING WILL ADDRESS STRUCTURAL ATTACHMENT (I.E. FASTENING PATTERN, ETC.). CONTACT KWS FOR FURTHER DETAILS. ALL IMPLIED WARRANTIES INCLUDING MERCHANTABILITY & FITNESS FOR A PARTICULAR PURPOSE ARE EXPRESSLY EXCLUDED.

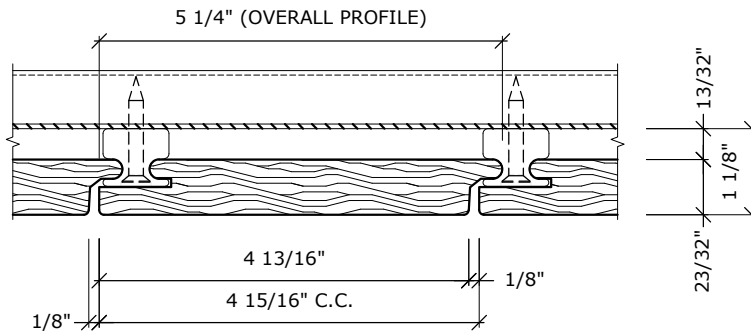
TROPICAL FOREST PRODUCTS COPYRIGHT 2021

TROPICAL

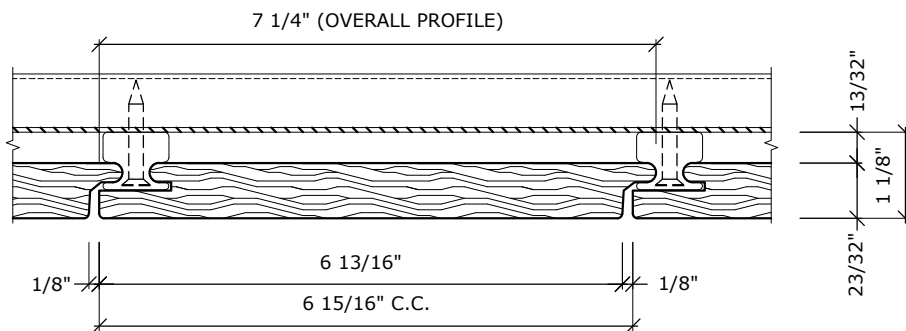
VERTICAL APPLICATION: LAYUP DIMENSIONS: 1" WITH 1/8" REVEAL SCALE: NTS



A Tropical Forest Products CLAD CLIP MAXI w/ 1" X 4" 1/8 REVEAL RAINSCREEN
SCALE: NTS



B Tropical Forest Products CLAD CLIP MAXI w/ 1" X 6" 1/8 REVEAL RAINSCREEN
SCALE: NTS

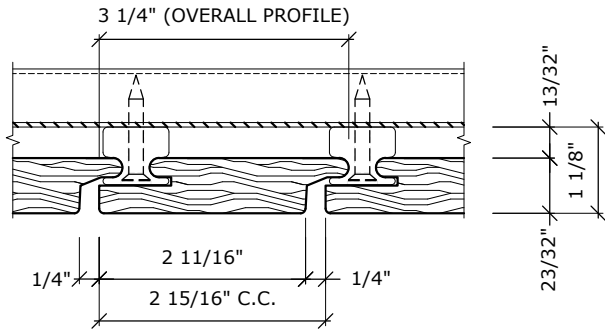


C Tropical Forest Products CLAD CLIP MAXI w/ 1" X 8" 1/8 REVEAL RAINSCREEN
SCALE: NTS

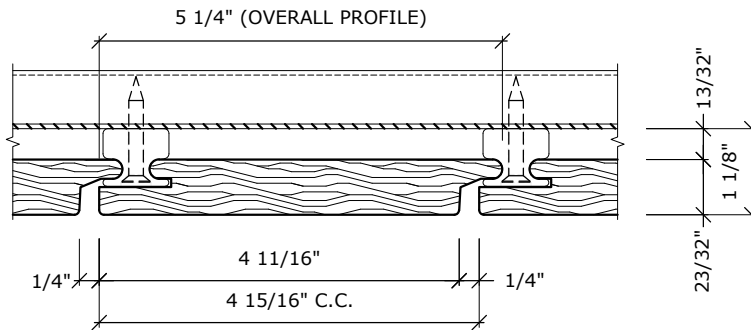
THESE GUIDE DETAILS ARE PROVIDED FOR INFORMATION ONLY AND OUTLINE GENERAL/TYPICAL REQUIREMENTS FOR THE ATTACHMENT SYSTEM. PROJECT SPECIFIC ENGINEERING WILL ADDRESS STRUCTURAL ATTACHMENT (I.E. FASTENING PATTERN, ETC.). CONTACT KWS FOR FURTHER DETAILS. ALL IMPLIED WARRANTIES INCLUDING MERCHANTABILITY & FITNESS FOR A PARTICULAR PURPOSE ARE EXPRESSLY EXCLUDED.

TROPICAL

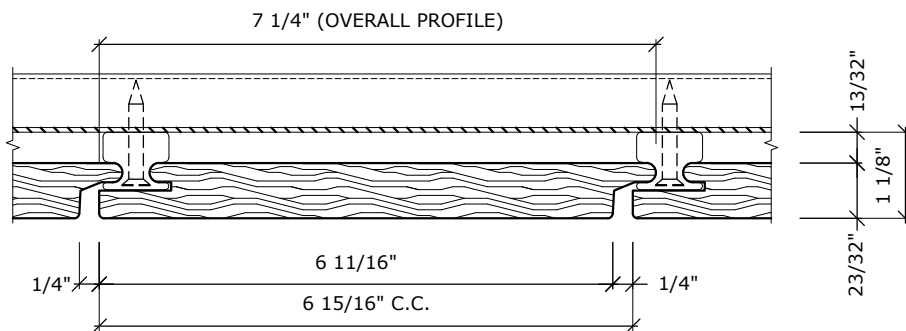
VERTICAL APPLICATION: LAYUP DIMENSIONS: 1" WITH 1/4" REVEAL SCALE: NTS



A Tropical Forest Products CLAD CLIP MAXI w/ 1" X 4" 1/4 REVEAL RAINSCREEN
SCALE: NTS



B Tropical Forest Products CLAD CLIP MAXI w/ 1" X 6" 1/4 REVEAL RAINSCREEN
SCALE: NTS

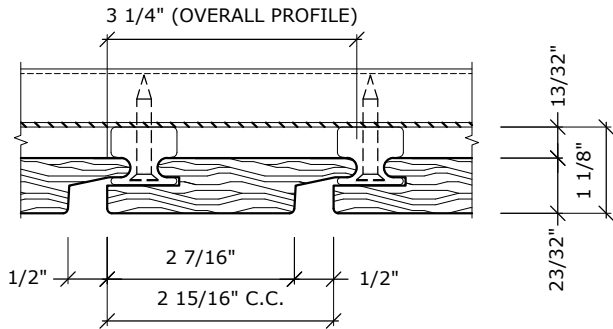


C Tropical Forest Products CLAD CLIP MAXI w/ 1" X 8" 1/4 REVEAL RAINSCREEN
SCALE: NTS

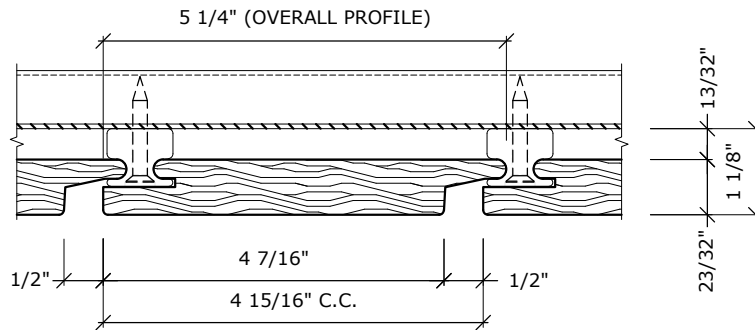
THESE GUIDE DETAILS ARE PROVIDED FOR INFORMATION ONLY AND OUTLINE GENERAL/TYPICAL REQUIREMENTS FOR THE ATTACHMENT SYSTEM. PROJECT SPECIFIC ENGINEERING WILL ADDRESS STRUCTURAL ATTACHMENT (I.E. FASTENING PATTERN, ETC.). CONTACT KWS FOR FURTHER DETAILS. ALL IMPLIED WARRANTIES INCLUDING MERCHANTABILITY & FITNESS FOR A PARTICULAR PURPOSE ARE EXPRESSLY EXCLUDED.

TROPICAL

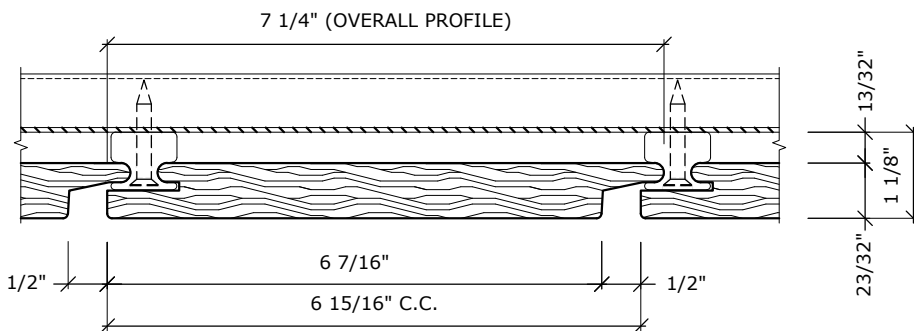
VERTICAL APPLICATION: LAYUP DIMENSIONS: 1" WITH 1/2" REVEAL SCALE: NTS



A Tropical Forest Products CLAD CLIP MAXI w/ 1" X 4" 1/2 REVEAL RAINSCREEN
SCALE: NTS



B Tropical Forest Products CLAD CLIP MAXI w/ 1" X 6" 1/2 REVEAL RAINSCREEN
SCALE: NTS



C Tropical Forest Products CLAD CLIP MAXI w/ 1" X 8" 1/2 REVEAL RAINSCREEN
SCALE: NTS

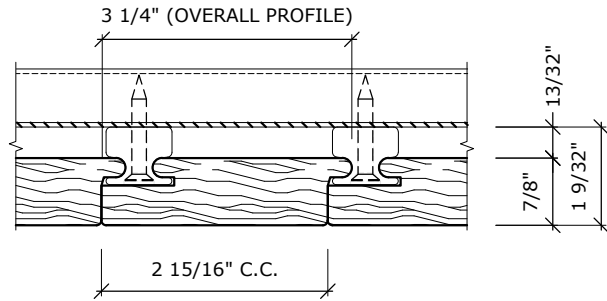
THESE GUIDE DETAILS ARE PROVIDED FOR INFORMATION ONLY AND OUTLINE GENERAL/TYPICAL REQUIREMENTS FOR THE ATTACHMENT SYSTEM. PROJECT SPECIFIC ENGINEERING WILL ADDRESS STRUCTURAL ATTACHMENT (I.E. FASTENING PATTERN, ETC.). CONTACT KWS FOR FURTHER DETAILS. ALL IMPLIED WARRANTIES INCLUDING MERCHANTABILITY & FITNESS FOR A PARTICULAR PURPOSE ARE EXPRESSLY EXCLUDED.

TROPICAL FOREST PRODUCTS COPYRIGHT 2021

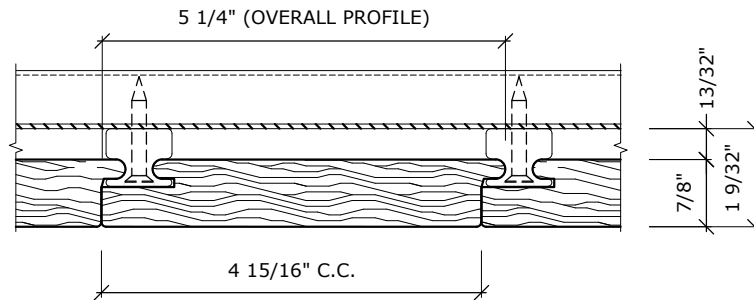


TROPICAL

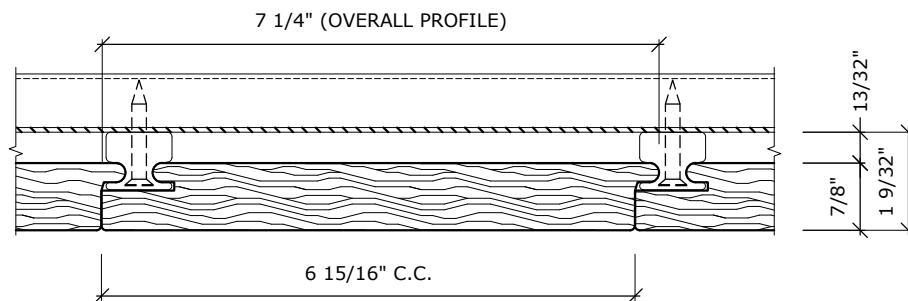
VERTICAL APPLICATION: LAYUP DIMENSIONS: 5/4" WITH NO REVEAL SCALE: NTS



A Tropical Forest Products CLAD CLIP MAXI w/ 5/4" X 4" NO REVEAL RAINSCREEN
SCALE: NTS



B Tropical Forest Products CLAD CLIP MAXI w/ 5/4" X 6" NO REVEAL RAINSCREEN
SCALE: NTS

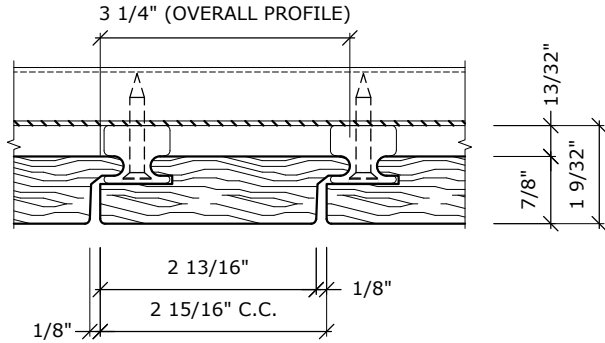


C Tropical Forest Products CLAD CLIP MAXI w/ 5/4" X 8" NO REVEAL RAINSCREEN
SCALE: NTS

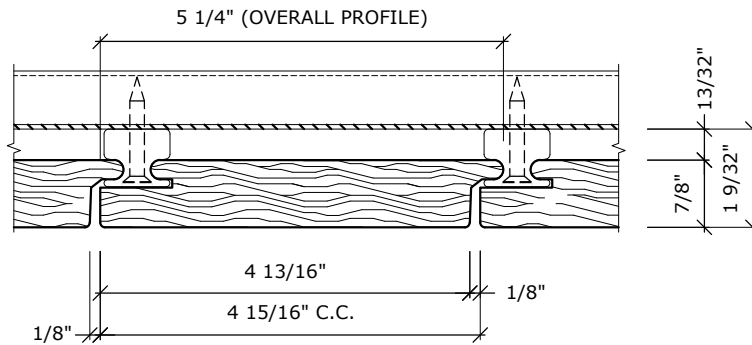
THESE GUIDE DETAILS ARE PROVIDED FOR INFORMATION ONLY AND OUTLINE GENERAL/TYPICAL REQUIREMENTS FOR THE ATTACHMENT SYSTEM. PROJECT SPECIFIC ENGINEERING WILL ADDRESS STRUCTURAL ATTACHMENT (I.E. FASTENING PATTERN, ETC.). CONTACT KWS FOR FURTHER DETAILS. ALL IMPLIED WARRANTIES INCLUDING MERCHANTABILITY & FITNESS FOR A PARTICULAR PURPOSE ARE EXPRESSLY EXCLUDED.

TROPICAL

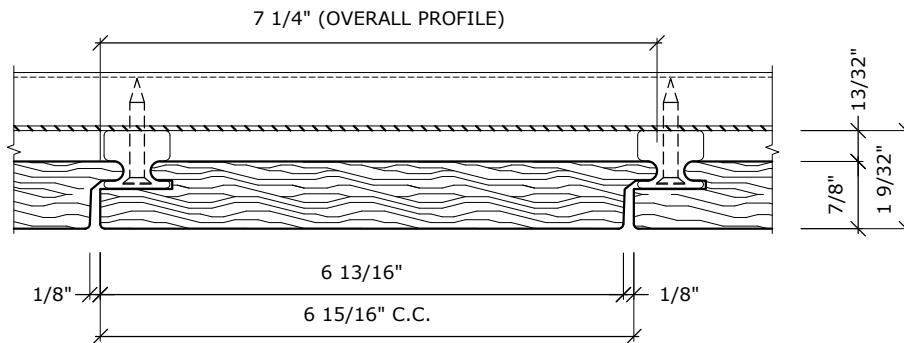
VERTICAL APPLICATION: LAYUP DIMENSIONS: 5/4" WITH 1/8" REVEAL SCALE: NTS



A Tropical Forest Products CLAD CLIP MAXI w/ 5/4" X 4" 1/8 REVEAL RAINSCREEN
SCALE: NTS



B Tropical Forest Products CLAD CLIP MAXI w/ 5/4" X 6" 1/8 REVEAL RAINSCREEN
SCALE: NTS

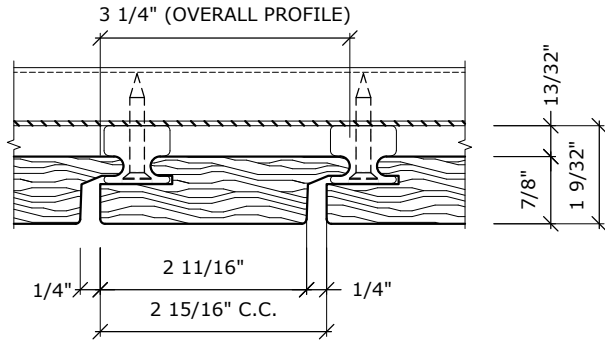


C Tropical Forest Products CLAD CLIP MAXI w/ 5/4" X 8" 1/8 REVEAL RAINSCREEN
SCALE: NTS

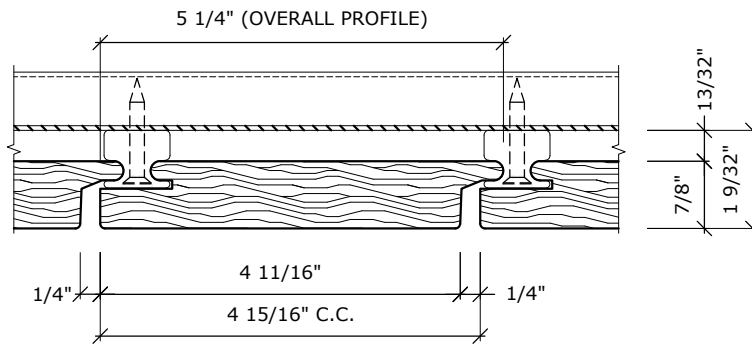
THESE GUIDE DETAILS ARE PROVIDED FOR INFORMATION ONLY AND OUTLINE GENERAL/TYPICAL REQUIREMENTS FOR THE ATTACHMENT SYSTEM. PROJECT SPECIFIC ENGINEERING WILL ADDRESS STRUCTURAL ATTACHMENT (I.E. FASTENING PATTERN, ETC.). CONTACT KWS FOR FURTHER DETAILS. ALL IMPLIED WARRANTIES INCLUDING MERCHANTABILITY & FITNESS FOR A PARTICULAR PURPOSE ARE EXPRESSLY EXCLUDED.

TROPICAL

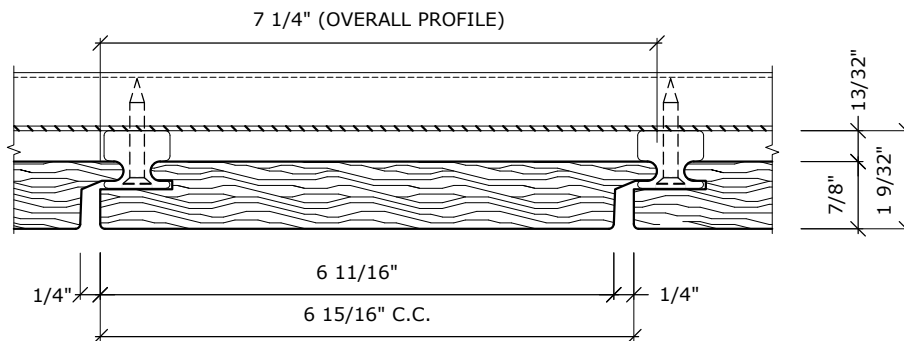
**VERTICAL APPLICATION:
LAYUP DIMENSIONS: 5/4" WITH 1/4" REVEAL
SCALE: NTS**



A Tropical Forest Products CLAD CLIP MAXI w/ 5/4" X 4" 1/4 REVEAL RAINSCREEN
SCALE: NTS



B Tropical Forest Products CLAD CLIP MAXI w/ 5/4" X 6" 1/4 REVEAL RAINSCREEN
SCALE: NTS

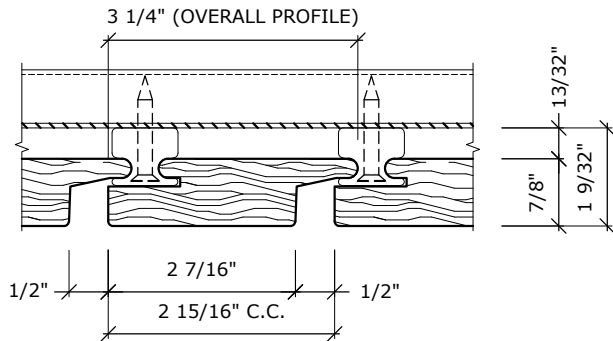


C Tropical Forest Products CLAD CLIP MAXI w/ 5/4" X 8" 1/4 REVEAL RAINSCREEN
SCALE: NTS

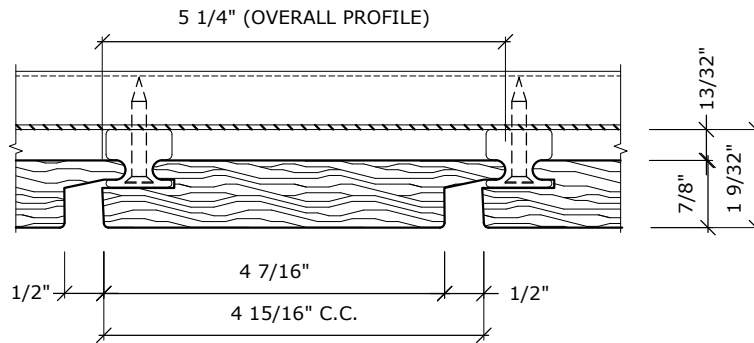
THESE GUIDE DETAILS ARE PROVIDED FOR INFORMATION ONLY AND OUTLINE GENERAL/TYPICAL REQUIREMENTS FOR THE ATTACHMENT SYSTEM. PROJECT SPECIFIC ENGINEERING WILL ADDRESS STRUCTURAL ATTACHMENT (I.E. FASTENING PATTERN, ETC.). CONTACT KWS FOR FURTHER DETAILS. ALL IMPLIED WARRANTIES INCLUDING MERCHANTABILITY & FITNESS FOR A PARTICULAR PURPOSE ARE EXPRESSLY EXCLUDED.

TROPICAL

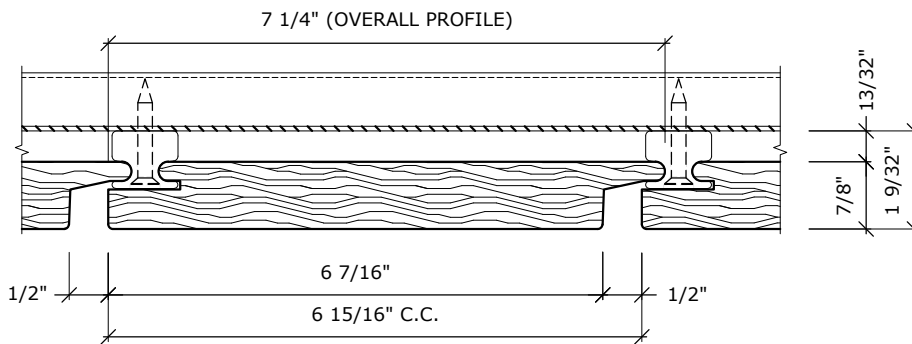
**VERTICAL APPLICATION:
LAYUP DIMENSIONS: 5/4" WITH 1/2" REVEAL
SCALE: NTS**



A Tropical Forest Products CLAD CLIP MAXI w/ 5/4" X 4" 1/2 REVEAL RAINSCREEN
SCALE: NTS



B Tropical Forest Products CLAD CLIP MAXI w/ 5/4" X 6" 1/2 REVEAL RAINSCREEN
SCALE: NTS



C Tropical Forest Products CLAD CLIP MAXI w/ 5/4" X 8" 1/2 REVEAL RAINSCREEN
SCALE: NTS

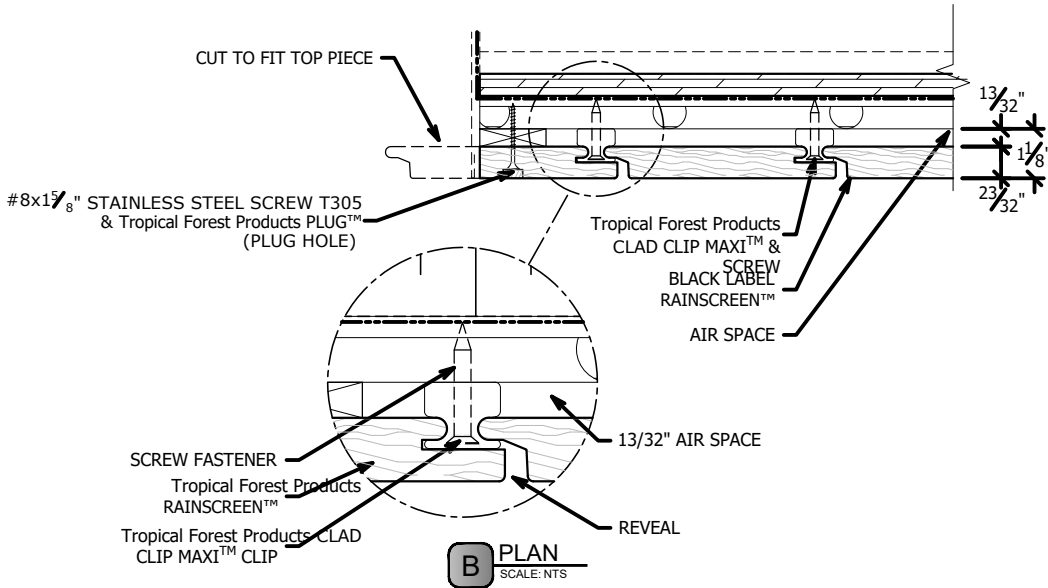
THESE GUIDE DETAILS ARE PROVIDED FOR INFORMATION ONLY AND OUTLINE GENERAL/TYPICAL REQUIREMENTS FOR THE ATTACHMENT SYSTEM. PROJECT SPECIFIC ENGINEERING WILL ADDRESS STRUCTURAL ATTACHMENT (I.E. FASTENING PATTERN, ETC.). CONTACT KWS FOR FURTHER DETAILS. ALL IMPLIED WARRANTIES INCLUDING MERCHANTABILITY & FITNESS FOR A PARTICULAR PURPOSE ARE EXPRESSLY EXCLUDED.

TROPICAL FOREST PRODUCTS COPYRIGHT 2021

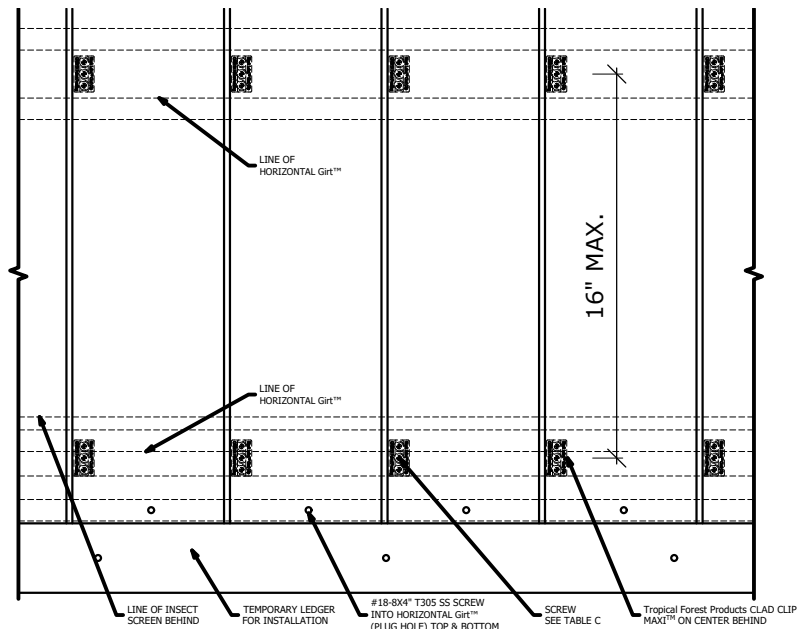


TROPICAL

VERTICAL APPLICATION: CLAD CLIP SPECS



B PLAN
SCALE: NTS



A ELEVATION
SCALE: NTS

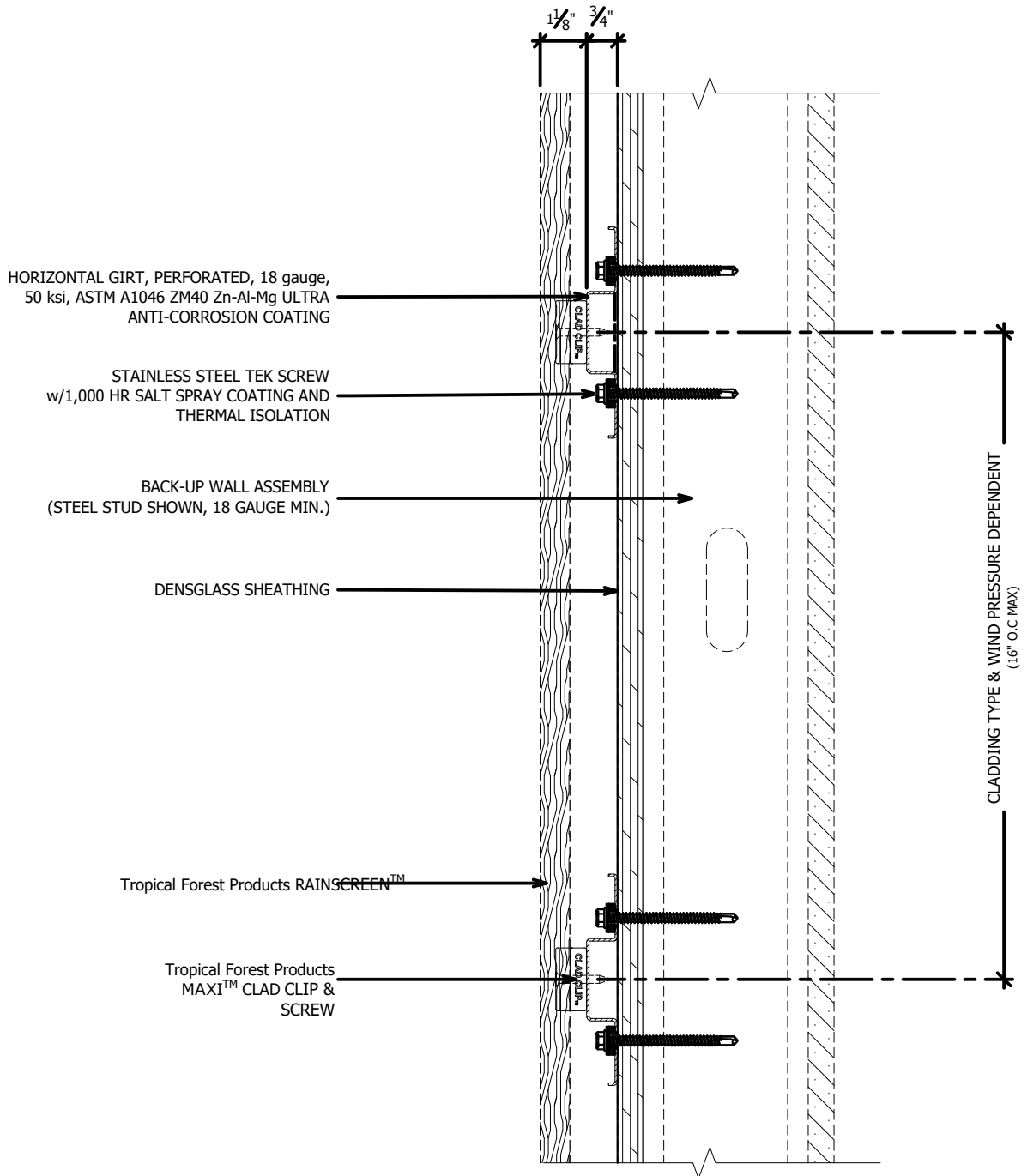
NOTES

1. BASIS OF DESIGN - TFP® RAINSCREEN SYSTEM - ADDRESS: 6200 TOMKEN RD, MISSISSAUGA, ON L5T 1X7 CANADA 29405 / PHONE: 905.672.8000
2. TFP® CLADDING - WOOD SPECIES AS DENOTED IN PLANS AND SPECIFICATIONS
3. APPLICATION OF FIRST COAT OF Tropical Forest Products IPE + MARINE OIL TO ALL FACES OF WOOD CLADDING RECOMMENDED PRIOR TO CLADDING INSTALLATION
4. USE #10 X 1.25" 410 STAINLESS STEEL SELF DRILLING FLAT HEAD SCREW SUPPLIED BY TFP
5. IF METAL FURRING STRIPS ARE USED, USE #10 X 3/4" SCREW. ATTACHMENT AND INTEGRITY OF FURRING STRIP IS BY OTHERS AND SHALL MEET ALL IMPOSING LOADS, METAL FURRING MUST BE 18 GA MINIMUM.
6. NOTE: IF A LESSER DIAMETER SCREW OR OTHER THAN MANUFACTURE'S SCREW TYPE IS DESIRED TO BE USED, THE RESULTING PRESSURES AND SPACING WILL CHANGE. THE PERMUTATIONS OF THESE OPTIONS IS OUTSIDE THE SCOPE OF THIS PLAN.
7. ALL WORK SPECIFIED HEREIN HAS BEEN DESIGNED AND SHALL BE FABRICATED IN ACCORDANCE WITH THE FLORIDA BUILDING CODE FIFTH EDITION (2014)
8. ALL MATERIALS USED & FABRICATION METHODS SHALL CONFORM TO THE MANUFACTURER'S PUBLISHED AND APPROVED REQUIREMENTS .
9. ALL FASTENERS TO BE STAINLESS STEEL.

SIDING SIZES	TYPE OF CONNECTION	PANEL/FURRING THICKNESS	CLIP SPACING	CLIP TYPE	SCREWS PER CLIP	SCREW	ALLOWABLE PRESSURE
1" X 8"	CLIP TO STEEL FURRING	20 GA.-16 GA.	16"	MAXI	1 PCS.	#10 X 1.25	110.0 PSF
1" X 6"	CLIP TO STEEL FURRING	20 GA.-16 GA.	16"	MAXI	1 PCS.	#10 X 1.25	110.0 PSF
1" x 4"	CLIP TO STEEL FURRING	20 GA.-16 GA.	16"	MAXI	1 PCS.	#10 X 1.25	110.0 PSF

TROPICAL

VERTICAL APPLICATION: TYPICAL SECTION VIEW: SCALE: 3"=1'-0"



*MAXIMUM ALLOWABLE SPACING AND DEAD LOAD (WEIGHT OF CLADDING) IS BASED ON THE TOTAL LOAD (DEAD + LIVE) ACTING ON THE ASSEMBLY, BRACKETS AND CONNECTIONS

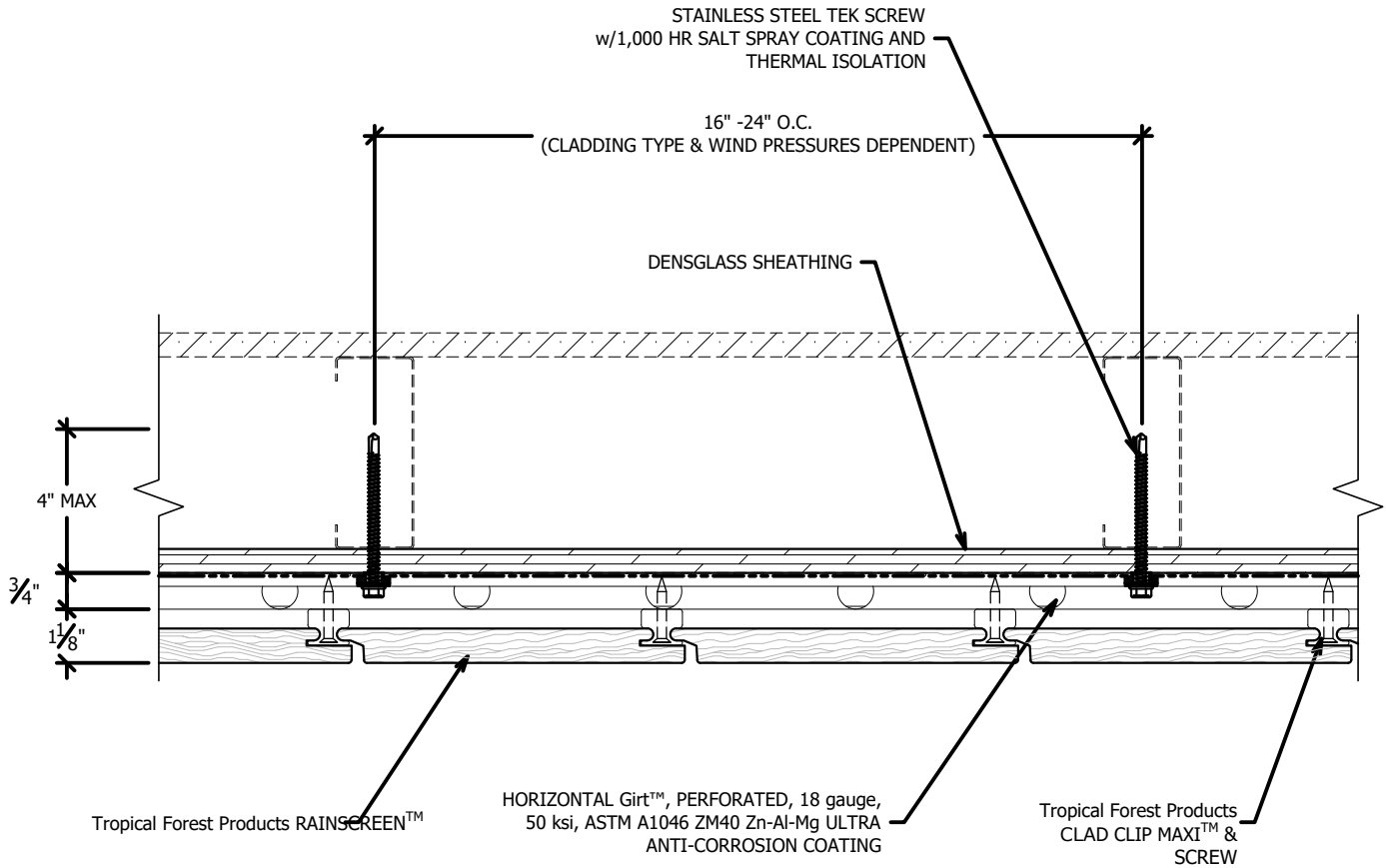
SYSTEM MAY BE INSTALLED OVER STEEL STUDS, WOOD STUDS, CMU OR CONCRETE SUBSTRATES (WITH USE OF APPROPRIATE WALL ANCHORS).

THESE GUIDE DETAILS ARE PROVIDED FOR INFORMATION ONLY AND OUTLINE GENERAL/TYPICAL REQUIREMENTS FOR THE ATTACHMENT SYSTEM. PROJECT SPECIFIC ENGINEERING WILL ADDRESS STRUCTURAL ATTACHMENT (I.E. FASTENING PATTERN, ETC.). CONTACT KWS FOR FURTHER DETAILS. ALL IMPLIED WARRANTIES INCLUDING MERCHANTABILITY & FITNESS FOR A PARTICULAR PURPOSE ARE EXPRESSLY EXCLUDED.

TROPICAL

VERTICAL APPLICATION: TYPICAL PLAN VIEW: SCALE: 3"=1'-0"

SYSTEM MAY BE INSTALLED OVER STEEL STUDS,
WOOD STUDS, CMU OR CONCRETE SUBSTRATES
(WITH USE OF APPROPRIATE WALL ANCHORS).

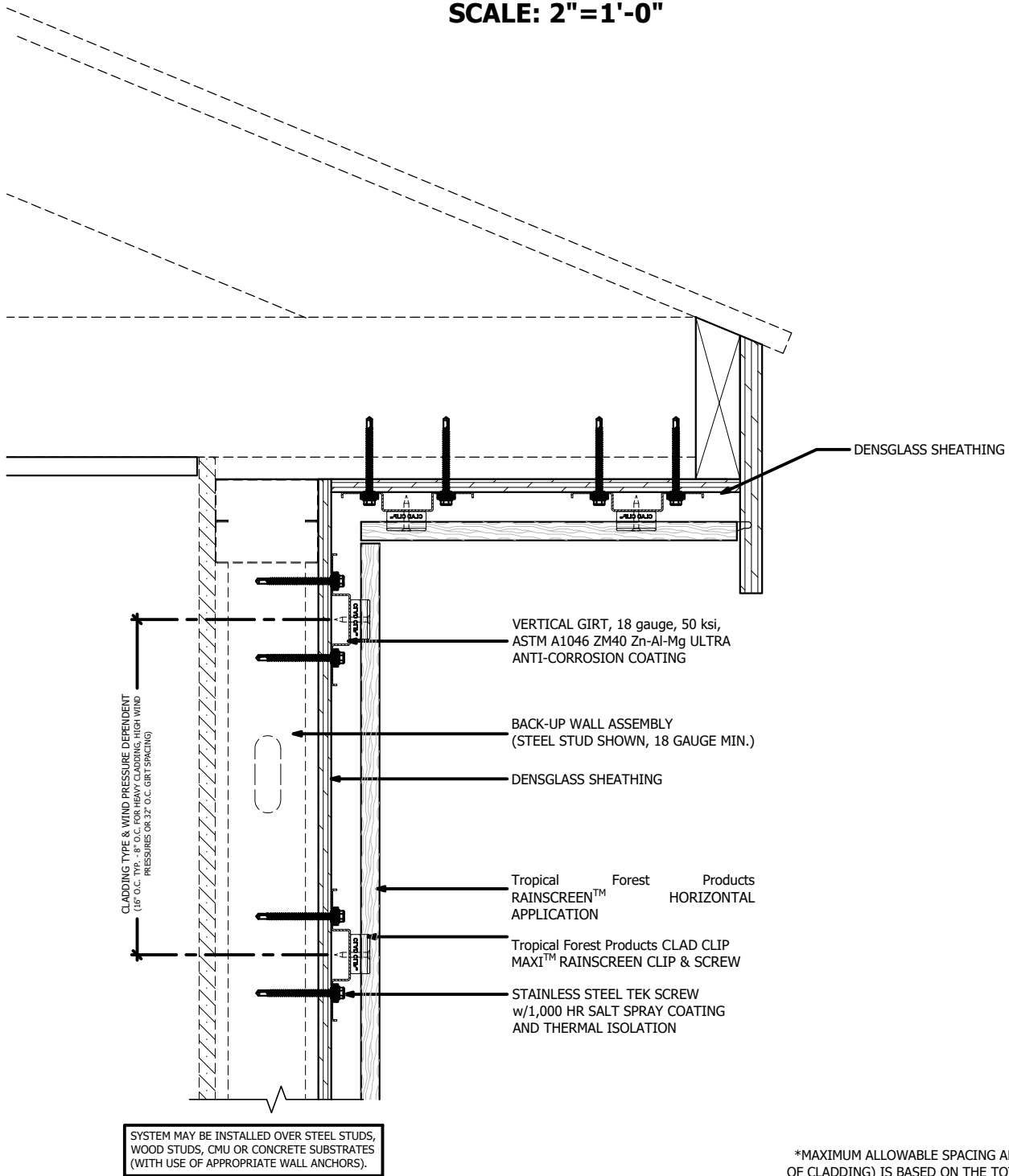


*MAXIMUM ALLOWABLE SPACING AND DEAD LOAD (WEIGHT
OF CLADDING) IS BASED ON THE TOTAL LOAD (DEAD + LIVE)
ACTING ON THE ASSEMBLY, BRACKETS AND CONNECTIONS

THESE GUIDE DETAILS ARE PROVIDED FOR INFORMATION ONLY AND OUTLINE GENERAL/TYPICAL REQUIREMENTS FOR THE ATTACHMENT SYSTEM. PROJECT SPECIFIC ENGINEERING WILL ADDRESS STRUCTURAL
ATTACHMENT (i.e. FASTENING PATTERN, ETC.). CONTACT KWS FOR FURTHER DETAILS. ALL IMPLIED WARRANTIES INCLUDING MERCHANTABILITY & FITNESS FOR A PARTICULAR PURPOSE ARE EXPRESSLY EXCLUDED.

TROPICAL

VERTICAL APPLICATION: TYPICAL SECTION VIEW W/ SOFFIT: SCALE: 2"=1'-0"



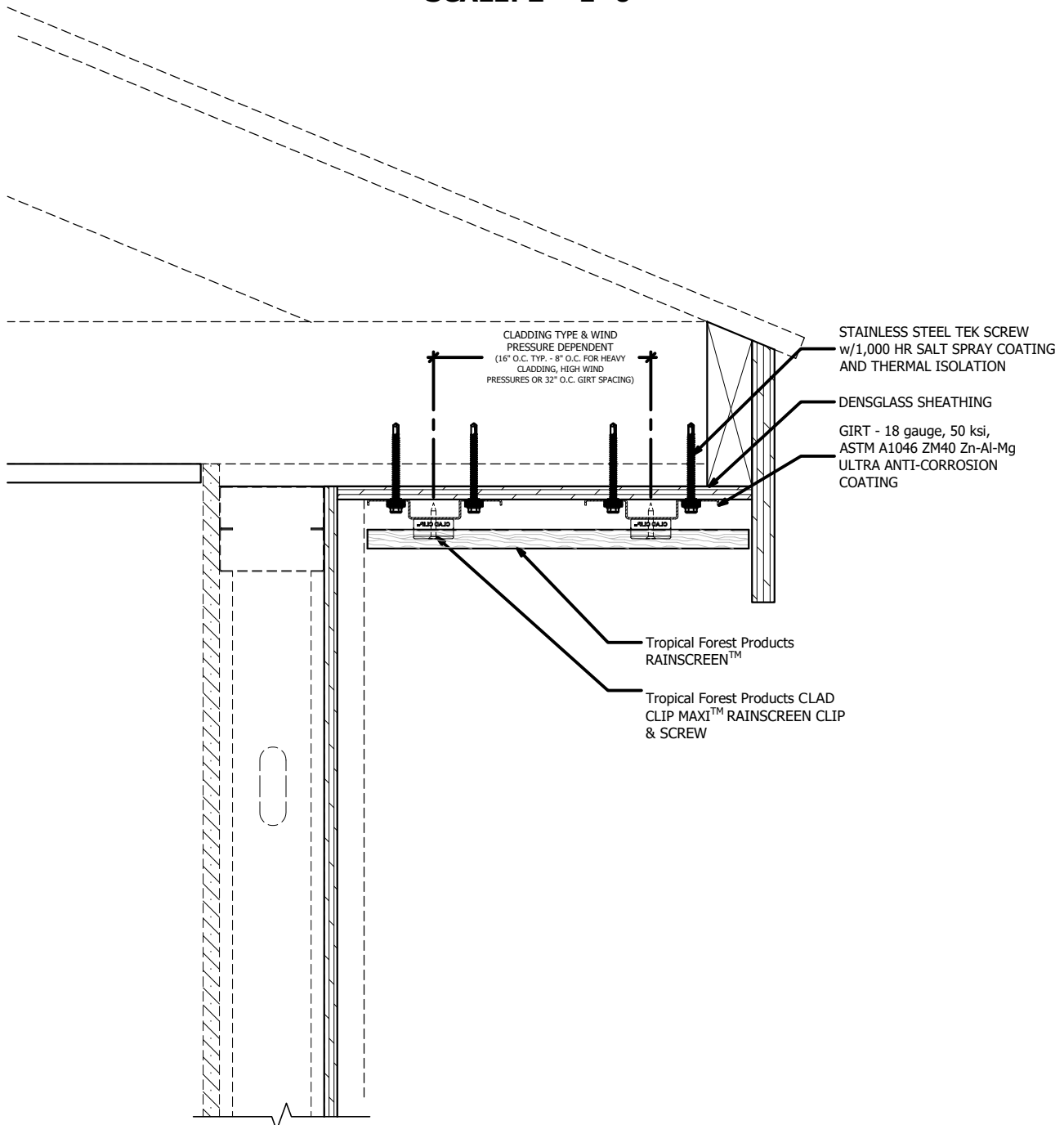
TROPICAL FOREST PRODUCTS COPYRIGHT 2021

THESE GUIDE DETAILS ARE PROVIDED FOR INFORMATION ONLY AND OUTLINE GENERAL/TYPICAL REQUIREMENTS FOR THE ATTACHMENT SYSTEM. PROJECT SPECIFIC ENGINEERING WILL ADDRESS STRUCTURAL ATTACHMENT (I.E. FASTENING PATTERN, ETC.). CONTACT KWS FOR FURTHER DETAILS. ALL IMPLIED WARRANTIES INCLUDING MERCHANTABILITY & FITNESS FOR A PARTICULAR PURPOSE ARE EXPRESSLY EXCLUDED.



TROPICAL

VERTICAL APPLICATION: TYPICAL SECTION VIEW SOFFIT ONLY: SCALE: 2"=1'-0"



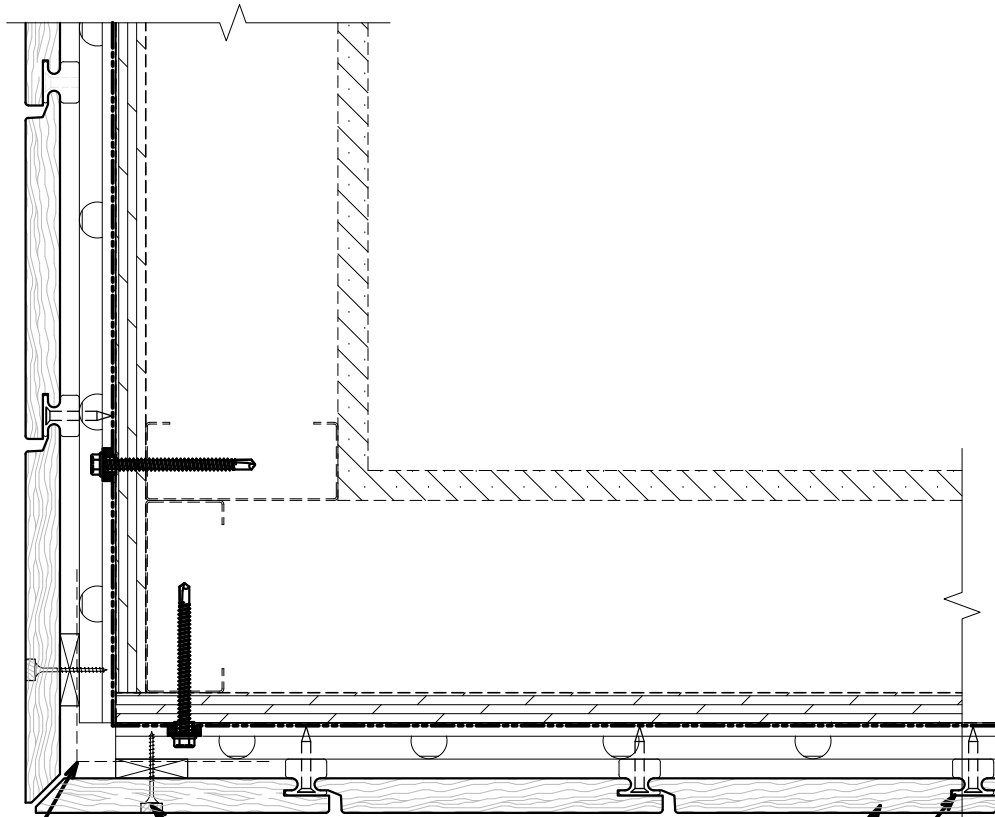
SYSTEM MAY BE INSTALLED OVER STEEL STUDS, WOOD STUDS, CMU OR CONCRETE SUBSTRATES (WITH USE OF APPROPRIATE WALL ANCHORS).

*MAXIMUM ALLOWABLE SPACING AND DEAD LOAD (WEIGHT OF CLADDING) IS BASED ON THE TOTAL LOAD (DEAD + LIVE) ACTING ON THE ASSEMBLY, BRACKETS AND CONNECTIONS

THESE GUIDE DETAILS ARE PROVIDED FOR INFORMATION ONLY AND OUTLINE GENERAL/TYPICAL REQUIREMENTS FOR THE ATTACHMENT SYSTEM. PROJECT SPECIFIC ENGINEERING WILL ADDRESS STRUCTURAL ATTACHMENT (I.E. FASTENING PATTERN, ETC.). CONTACT KWS FOR FURTHER DETAILS. ALL IMPLIED WARRANTIES INCLUDING MERCHANTABILITY & FITNESS FOR A PARTICULAR PURPOSE ARE EXPRESSLY EXCLUDED.

TROPICAL

**VERTICAL APPLICATION:
TYPICAL OUTSIDE CORNER CONDITION: MITER W/ GAP
SCALE: 3"=1'-0"**



BACKING ('L') MAY BE REQUIRED AT OUTSIDE CORNER. CONSULT CLADDING MANUFACTURER FOR DETAILS & REQUIREMENTS.

Tropical Forest Products PLUG™

Tropical Forest Products RAINSCREEN™

Tropical Forest Products CLAD CLIP MAXI™ & SCREW

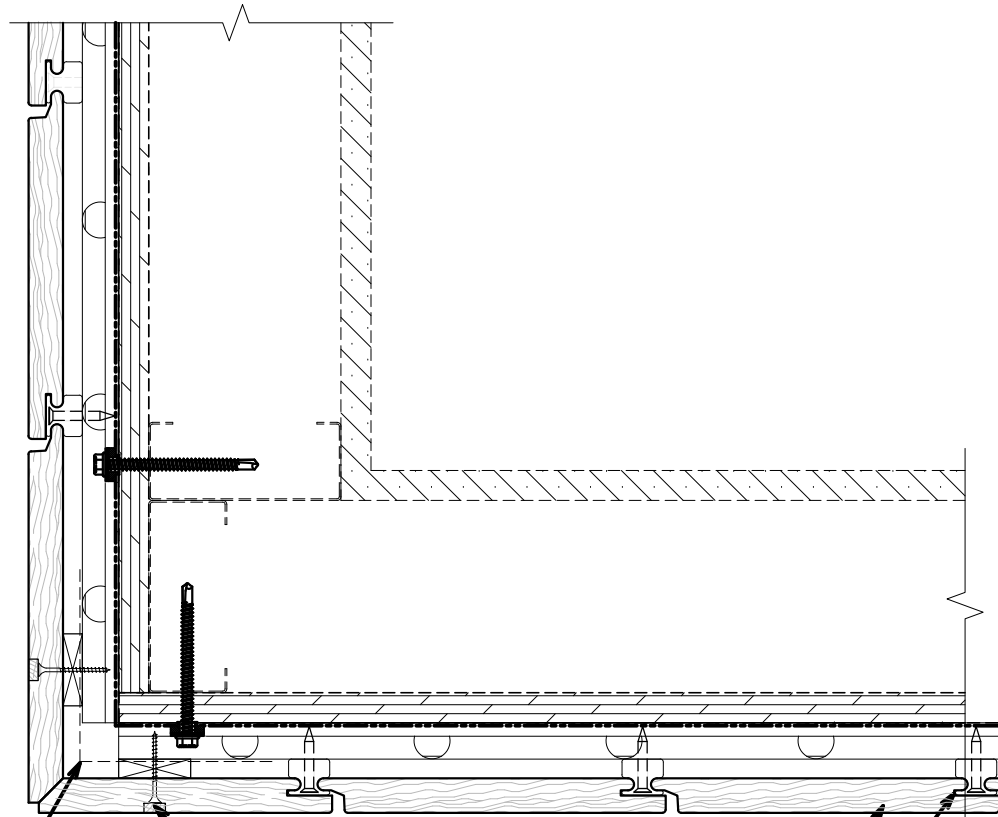
*MAXIMUM ALLOWABLE SPACING AND DEAD LOAD (WEIGHT OF CLADDING) IS BASED ON THE TOTAL LOAD (DEAD + LIVE) ACTING ON THE ASSEMBLY, BRACKETS AND CONNECTIONS

THESE GUIDE DETAILS ARE PROVIDED FOR INFORMATION ONLY AND OUTLINE GENERAL/TYPICAL REQUIREMENTS FOR THE ATTACHMENT SYSTEM. PROJECT SPECIFIC ENGINEERING WILL ADDRESS STRUCTURAL ATTACHMENT (i.e. FASTENING PATTERN, ETC.). CONTACT KWS FOR FURTHER DETAILS. ALL IMPLIED WARRANTIES INCLUDING MERCHANTABILITY & FITNESS FOR A PARTICULAR PURPOSE ARE EXPRESSLY EXCLUDED.



TROPICAL

VERTICAL APPLICATION: TYPICAL OUTSIDE CORNER CONDITION: MITER SCALE: 3"=1'-0"



BACKING ('L') MAY BE REQUIRED AT OUTSIDE CORNER. CONSULT CLADDING MANUFACTURER FOR DETAILS & REQUIREMENTS.

Tropical Forest Products PLUG™

Tropical Forest Products RAINSCREEN™

Tropical Forest Products CLAD CLIP MAXI™ & SCREW

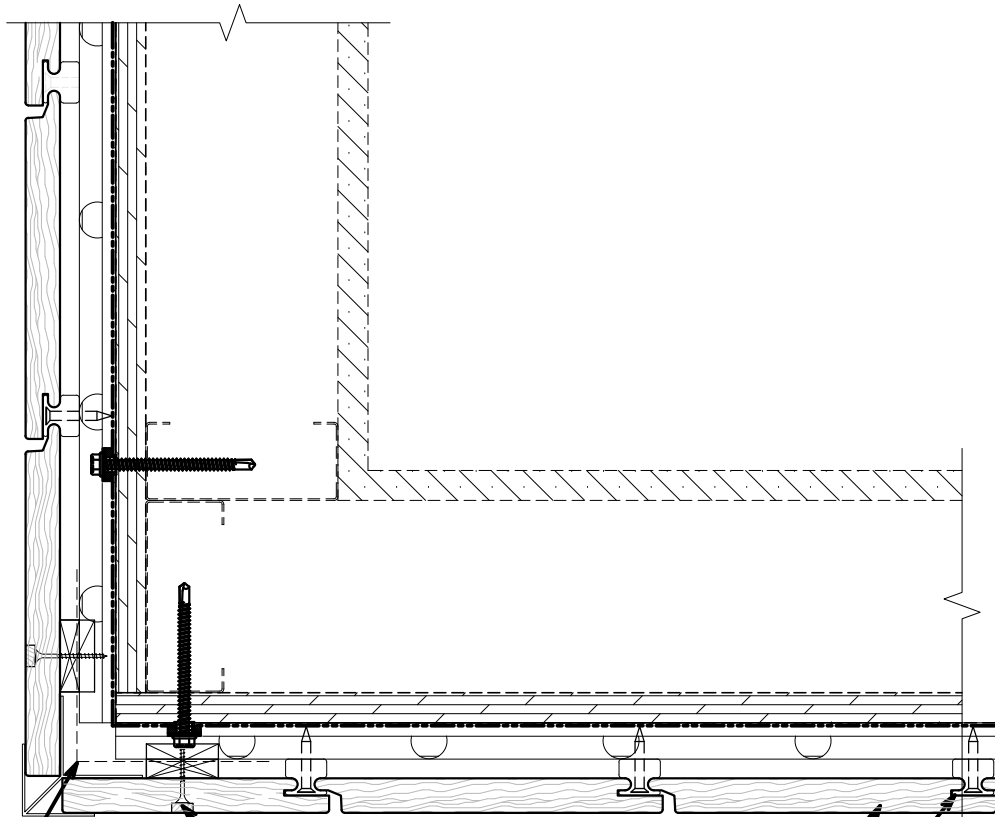
*MAXIMUM ALLOWABLE SPACING AND DEAD LOAD (WEIGHT OF CLADDING) IS BASED ON THE TOTAL LOAD (DEAD + LIVE) ACTING ON THE ASSEMBLY, BRACKETS AND CONNECTIONS

THESE GUIDE DETAILS ARE PROVIDED FOR INFORMATION ONLY AND OUTLINE GENERAL/TYPICAL REQUIREMENTS FOR THE ATTACHMENT SYSTEM. PROJECT SPECIFIC ENGINEERING WILL ADDRESS STRUCTURAL ATTACHMENT (I.E. FASTENING PATTERN, ETC.). CONTACT KWS FOR FURTHER DETAILS. ALL IMPLIED WARRANTIES INCLUDING MERCHANTABILITY & FITNESS FOR A PARTICULAR PURPOSE ARE EXPRESSLY EXCLUDED.



TROPICAL

VERTICAL APPLICATION: TYPICAL OUTSIDE CORNER CONDITION: ALUMINUM EXTRUSION SCALE: 3"=1'-0"



BACKING ('L') MAY BE REQUIRED AT OUTSIDE CORNER. CONSULT CLADDING MANUFACTURER FOR DETAILS & REQUIREMENTS.

Tropical Forest Products PLUG™

Tropical Forest Products RAINSCREEN™

Tropical Forest Products CLAD CLIP MAXI™ & SCREW

*MAXIMUM ALLOWABLE SPACING AND DEAD LOAD (WEIGHT OF CLADDING) IS BASED ON THE TOTAL LOAD (DEAD + LIVE) ACTING ON THE ASSEMBLY, BRACKETS AND CONNECTIONS

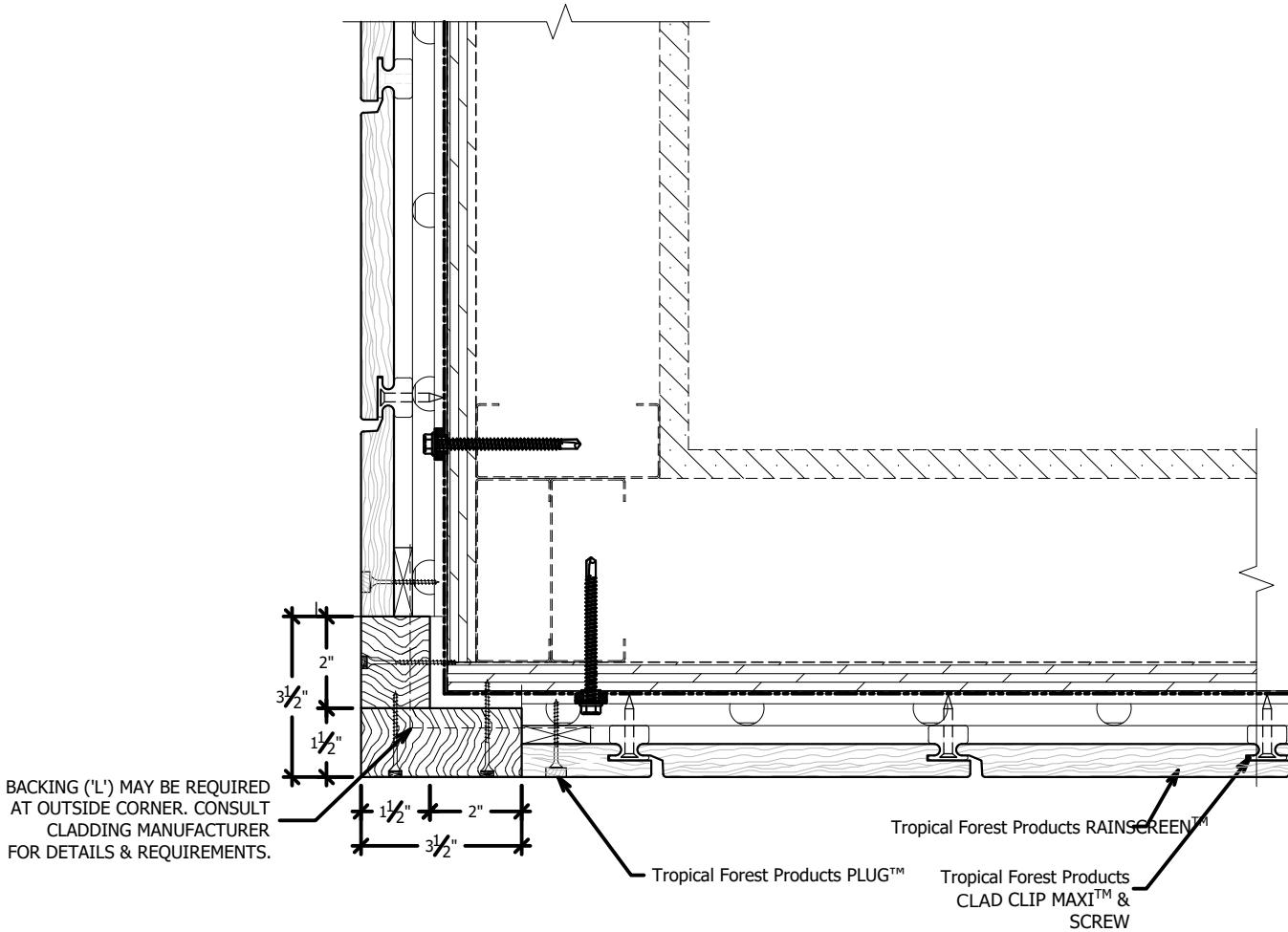
THESE GUIDE DETAILS ARE PROVIDED FOR INFORMATION ONLY AND OUTLINE GENERAL/TYPICAL REQUIREMENTS FOR THE ATTACHMENT SYSTEM. PROJECT SPECIFIC ENGINEERING WILL ADDRESS STRUCTURAL ATTACHMENT (I.E. FASTENING PATTERN, ETC.). CONTACT KWS FOR FURTHER DETAILS. ALL IMPLIED WARRANTIES INCLUDING MERCHANTABILITY & FITNESS FOR A PARTICULAR PURPOSE ARE EXPRESSLY EXCLUDED.



TROPICAL

VERTICAL APPLICATION: TYPICAL OUTSIDE CORNER CONDITION: FLUSH WOOD SCALE: 3"=1'-0"

TROPICAL FOREST PRODUCTS COPYRIGHT 2021



BACKING ('L') MAY BE REQUIRED AT OUTSIDE CORNER. CONSULT CLADDING MANUFACTURER FOR DETAILS & REQUIREMENTS.

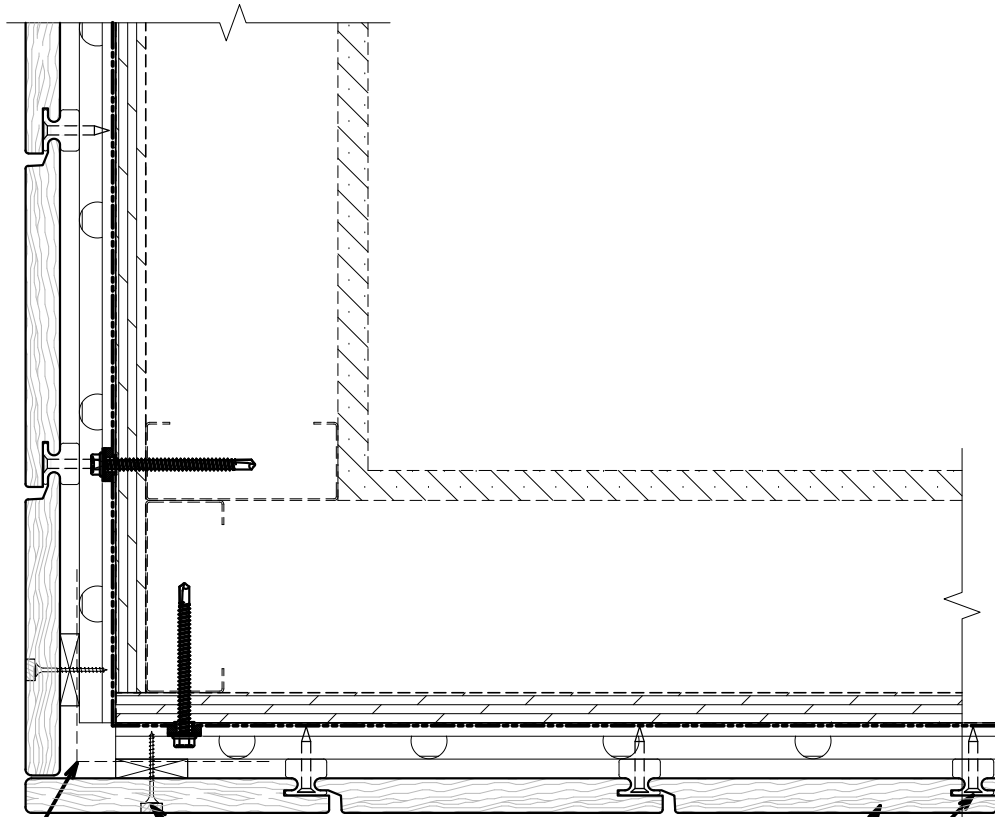
*MAXIMUM ALLOWABLE SPACING AND DEAD LOAD (WEIGHT OF CLADDING) IS BASED ON THE TOTAL LOAD (DEAD + LIVE) ACTING ON THE ASSEMBLY, BRACKETS AND CONNECTIONS

THESE GUIDE DETAILS ARE PROVIDED FOR INFORMATION ONLY AND OUTLINE GENERAL/TYPICAL REQUIREMENTS FOR THE ATTACHMENT SYSTEM. PROJECT SPECIFIC ENGINEERING WILL ADDRESS STRUCTURAL ATTACHMENT (I.E. FASTENING PATTERN, ETC.). CONTACT KWS FOR FURTHER DETAILS. ALL IMPLIED WARRANTIES INCLUDING MERCHANTABILITY & FITNESS FOR A PARTICULAR PURPOSE ARE EXPRESSLY EXCLUDED.



TROPICAL

**VERTICAL APPLICATION:
TYPICAL OUTSIDE CORNER CONDITION:
BUTT JOINT
SCALE: 3"=1'-0"**



BACKING ('L') MAY BE REQUIRED AT OUTSIDE CORNER. CONSULT CLADDING MANUFACTURER FOR DETAILS & REQUIREMENTS.

Tropical Forest Products PLUG™

Tropical Forest Products RAINSCREEN™

Tropical Forest Products CLAD CLIP MAXI™ & SCREW

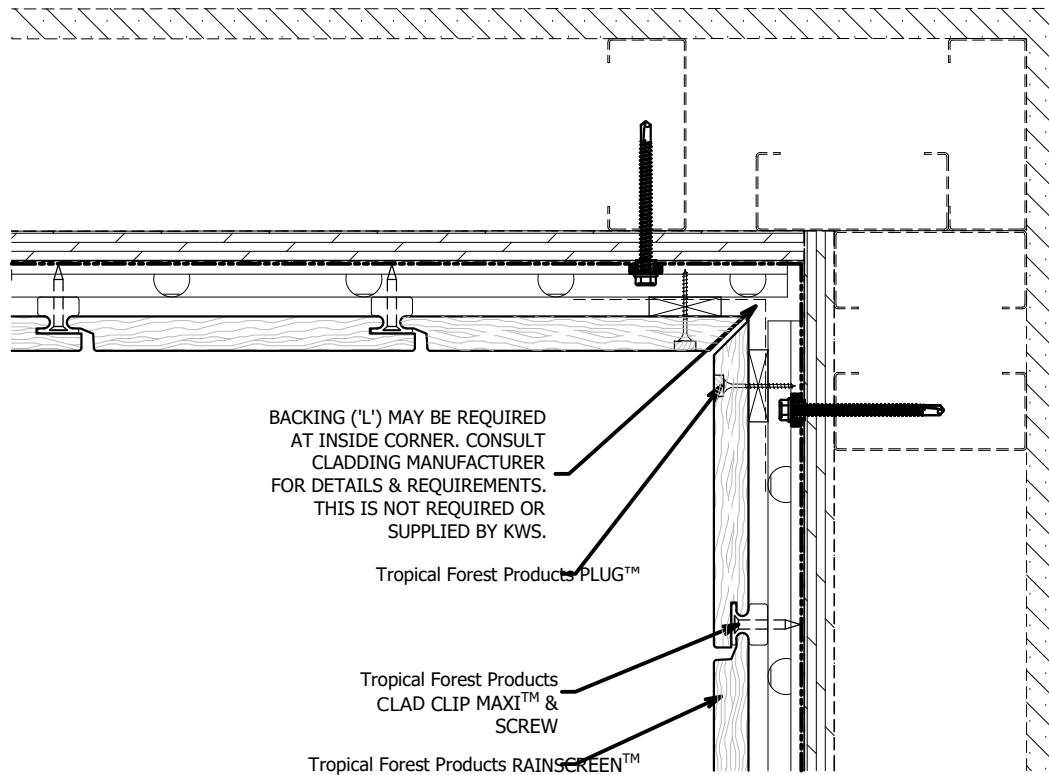
*MAXIMUM ALLOWABLE SPACING AND DEAD LOAD (WEIGHT OF CLADDING) IS BASED ON THE TOTAL LOAD (DEAD + LIVE) ACTING ON THE ASSEMBLY, BRACKETS AND CONNECTIONS

THESE GUIDE DETAILS ARE PROVIDED FOR INFORMATION ONLY AND OUTLINE GENERAL/TYPICAL REQUIREMENTS FOR THE ATTACHMENT SYSTEM. PROJECT SPECIFIC ENGINEERING WILL ADDRESS STRUCTURAL ATTACHMENT (i.e. FASTENING PATTERN, ETC.). CONTACT KWS FOR FURTHER DETAILS. ALL IMPLIED WARRANTIES INCLUDING MERCHANTABILITY & FITNESS FOR A PARTICULAR PURPOSE ARE EXPRESSLY EXCLUDED.



TROPICAL

**VERTICAL APPLICATION:
TYPICAL INSIDE CORNER CONDITION: MITER W/ GAP
SCALE: 3"=1'-0"**



TROPICAL FOREST PRODUCTS COPYRIGHT 2021

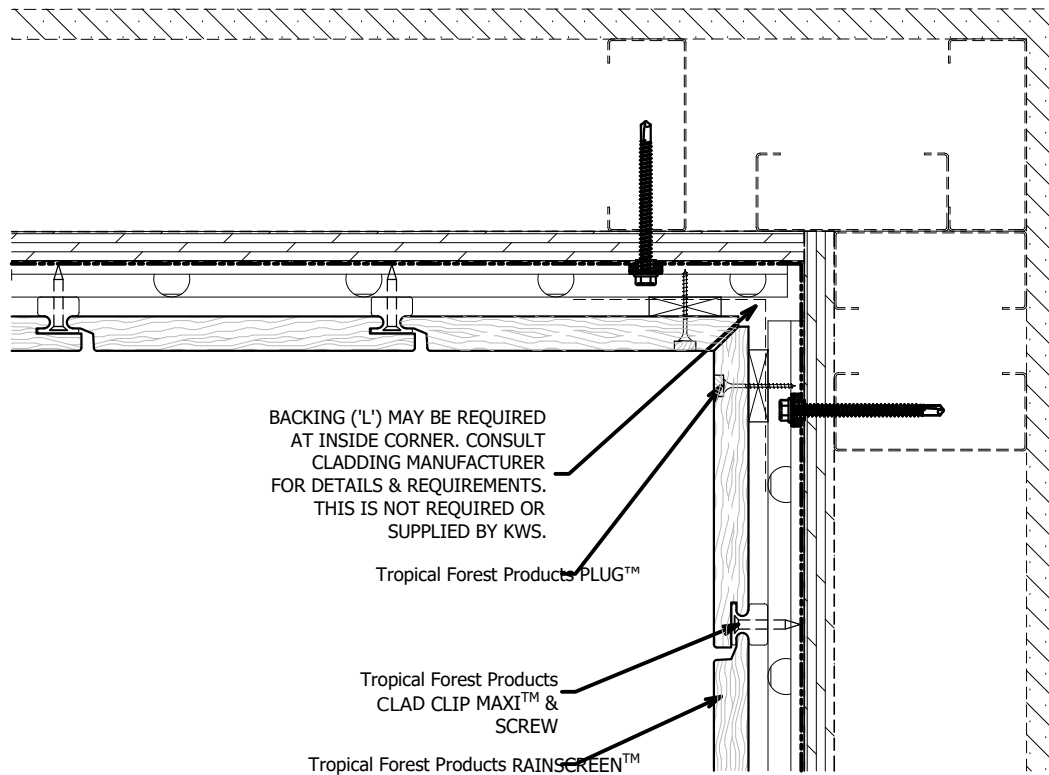
*MAXIMUM ALLOWABLE SPACING AND DEAD LOAD (WEIGHT OF CLADDING) IS BASED ON THE TOTAL LOAD (DEAD + LIVE) ACTING ON THE ASSEMBLY, BRACKETS AND CONNECTIONS

THESE GUIDE DETAILS ARE PROVIDED FOR INFORMATION ONLY AND OUTLINE GENERAL/TYPICAL REQUIREMENTS FOR THE ATTACHMENT SYSTEM. PROJECT SPECIFIC ENGINEERING WILL ADDRESS STRUCTURAL ATTACHMENT (I.E. FASTENING PATTERN, ETC.). CONTACT KWS FOR FURTHER DETAILS. ALL IMPLIED WARRANTIES INCLUDING MERCHANTABILITY & FITNESS FOR A PARTICULAR PURPOSE ARE EXPRESSLY EXCLUDED.



TROPICAL

VERTICAL APPLICATION: TYPICAL INSIDE CORNER CONDITION: MITER SCALE: 3"=1'-0"



TROPICAL FOREST PRODUCTS COPYRIGHT 2021

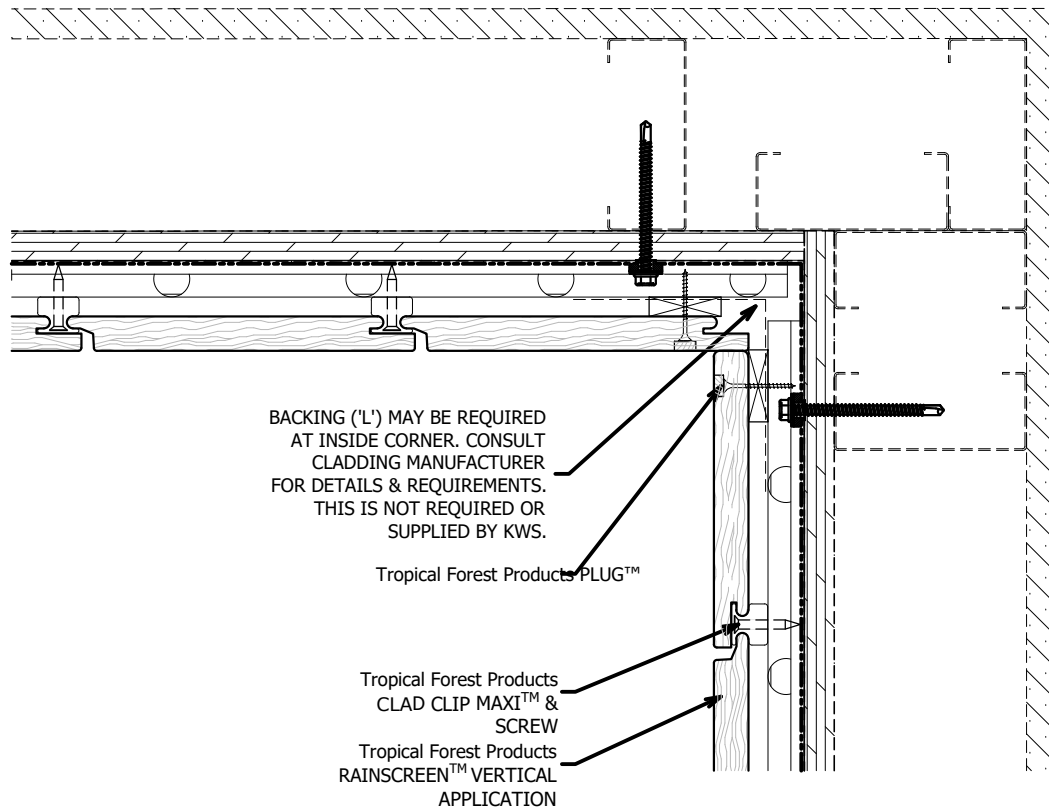
*MAXIMUM ALLOWABLE SPACING AND DEAD LOAD (WEIGHT OF CLADDING) IS BASED ON THE TOTAL LOAD (DEAD + LIVE) ACTING ON THE ASSEMBLY, BRACKETS AND CONNECTIONS

THESE GUIDE DETAILS ARE PROVIDED FOR INFORMATION ONLY AND OUTLINE GENERAL/TYPICAL REQUIREMENTS FOR THE ATTACHMENT SYSTEM. PROJECT SPECIFIC ENGINEERING WILL ADDRESS STRUCTURAL ATTACHMENT (i.e. FASTENING PATTERN, ETC.). CONTACT KWS FOR FURTHER DETAILS. ALL IMPLIED WARRANTIES INCLUDING MERCHANTABILITY & FITNESS FOR A PARTICULAR PURPOSE ARE EXPRESSLY EXCLUDED.



TROPICAL

**VERTICAL APPLICATION:
TYPICAL INSIDE CORNER CONDITION:
BUTT JOINT
SCALE: 3"=1'-0"**



TROPICAL FOREST PRODUCTS COPYRIGHT 2021

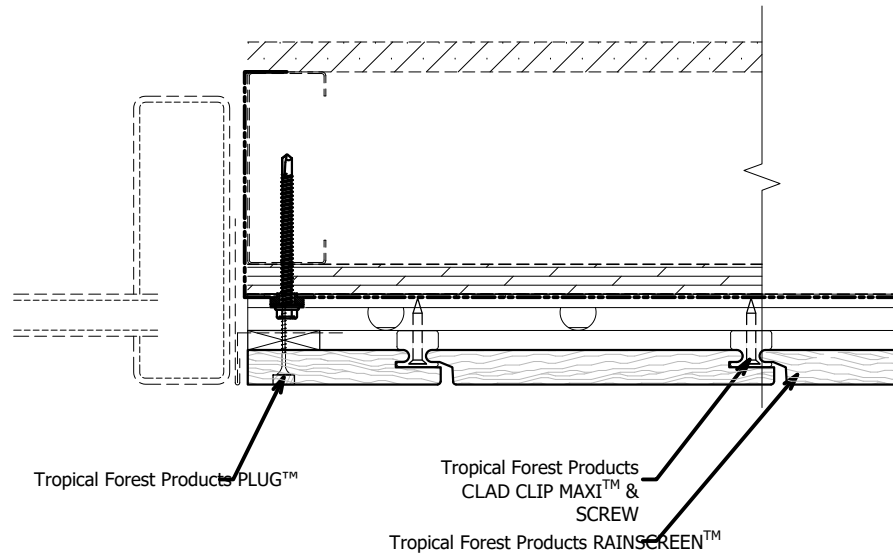
*MAXIMUM ALLOWABLE SPACING AND DEAD LOAD (WEIGHT OF CLADDING) IS BASED ON THE TOTAL LOAD (DEAD + LIVE) ACTING ON THE ASSEMBLY, BRACKETS AND CONNECTIONS

THESE GUIDE DETAILS ARE PROVIDED FOR INFORMATION ONLY AND OUTLINE GENERAL/TYPICAL REQUIREMENTS FOR THE ATTACHMENT SYSTEM. PROJECT SPECIFIC ENGINEERING WILL ADDRESS STRUCTURAL ATTACHMENT (I.E. FASTENING PATTERN, ETC.). CONTACT KWS FOR FURTHER DETAILS. ALL IMPLIED WARRANTIES INCLUDING MERCHANTABILITY & FITNESS FOR A PARTICULAR PURPOSE ARE EXPRESSLY EXCLUDED.



TROPICAL

VERTICAL APPLICATION: TYPICAL JAMB CONDITION SCALE: 3"=1'-0"



DO NOT ALLOW Girt TO OVERHANG SHEATHING.

* FLASHING DETAILS VARY BASED ON WINDOW TYPE,
POSITION (INSET VS FLUSH) AND CLADDING TYPE.

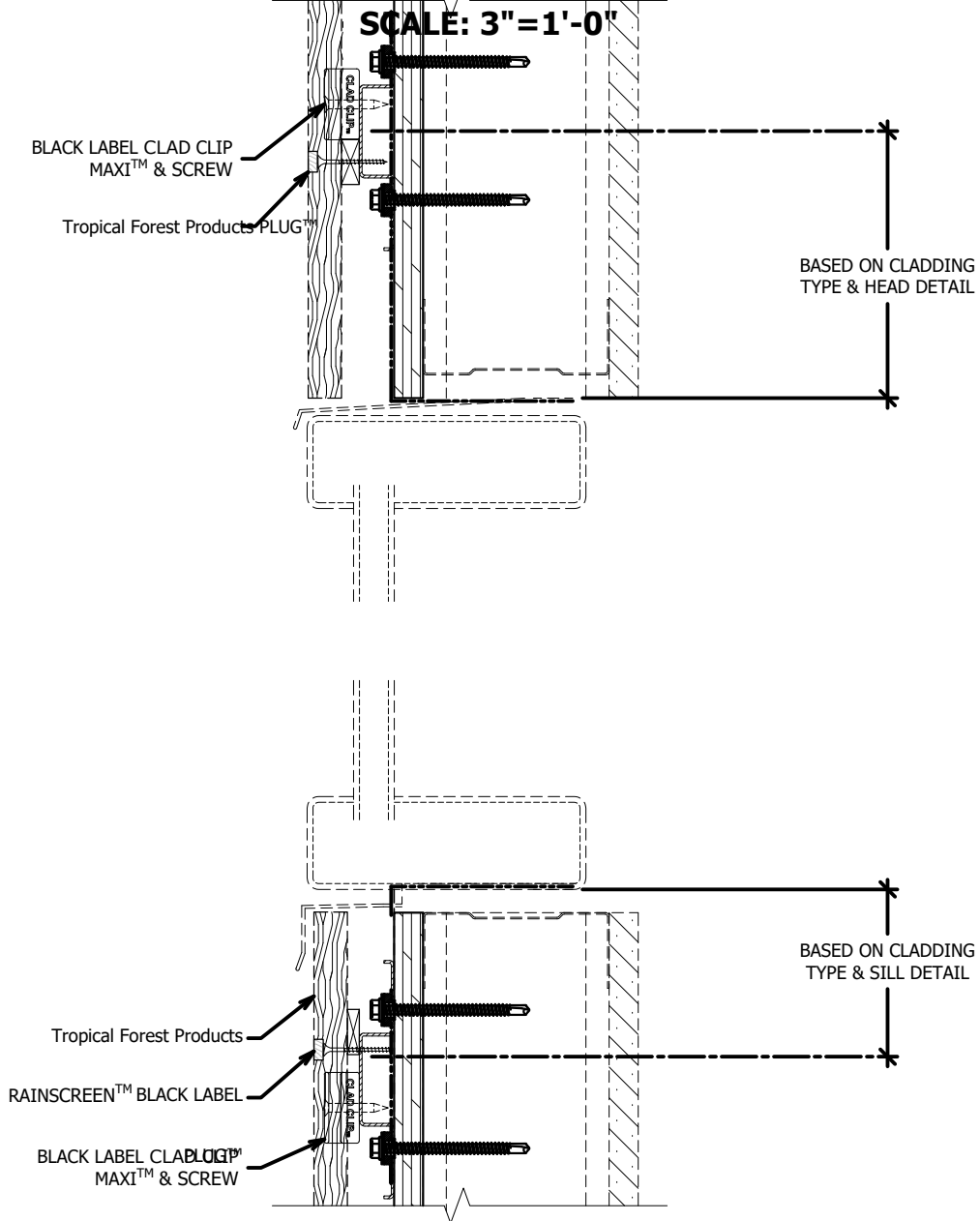
*MAXIMUM ALLOWABLE SPACING AND DEAD LOAD (WEIGHT
OF CLADDING) IS BASED ON THE TOTAL LOAD (DEAD + LIVE)
ACTING ON THE ASSEMBLY, BRACKETS AND CONNECTIONS

THESE GUIDE DETAILS ARE PROVIDED FOR INFORMATION ONLY AND OUTLINE GENERAL/TYPICAL REQUIREMENTS FOR THE ATTACHMENT SYSTEM. PROJECT SPECIFIC ENGINEERING WILL ADDRESS STRUCTURAL ATTACHMENT (i.e. FASTENING PATTERN, ETC.). CONTACT KWS FOR FURTHER DETAILS. ALL IMPLIED WARRANTIES INCLUDING MERCHANTABILITY & FITNESS FOR A PARTICULAR PURPOSE ARE EXPRESSLY EXCLUDED.

TROPICAL

VERTICAL APPLICATION: TYPICAL HEAD & SILL CONDITION

SCALE: 3" = 1'-0"



ENSURE THE Girt DOES NOT EXTEND/CANTILEVER PAST SHEATHING.

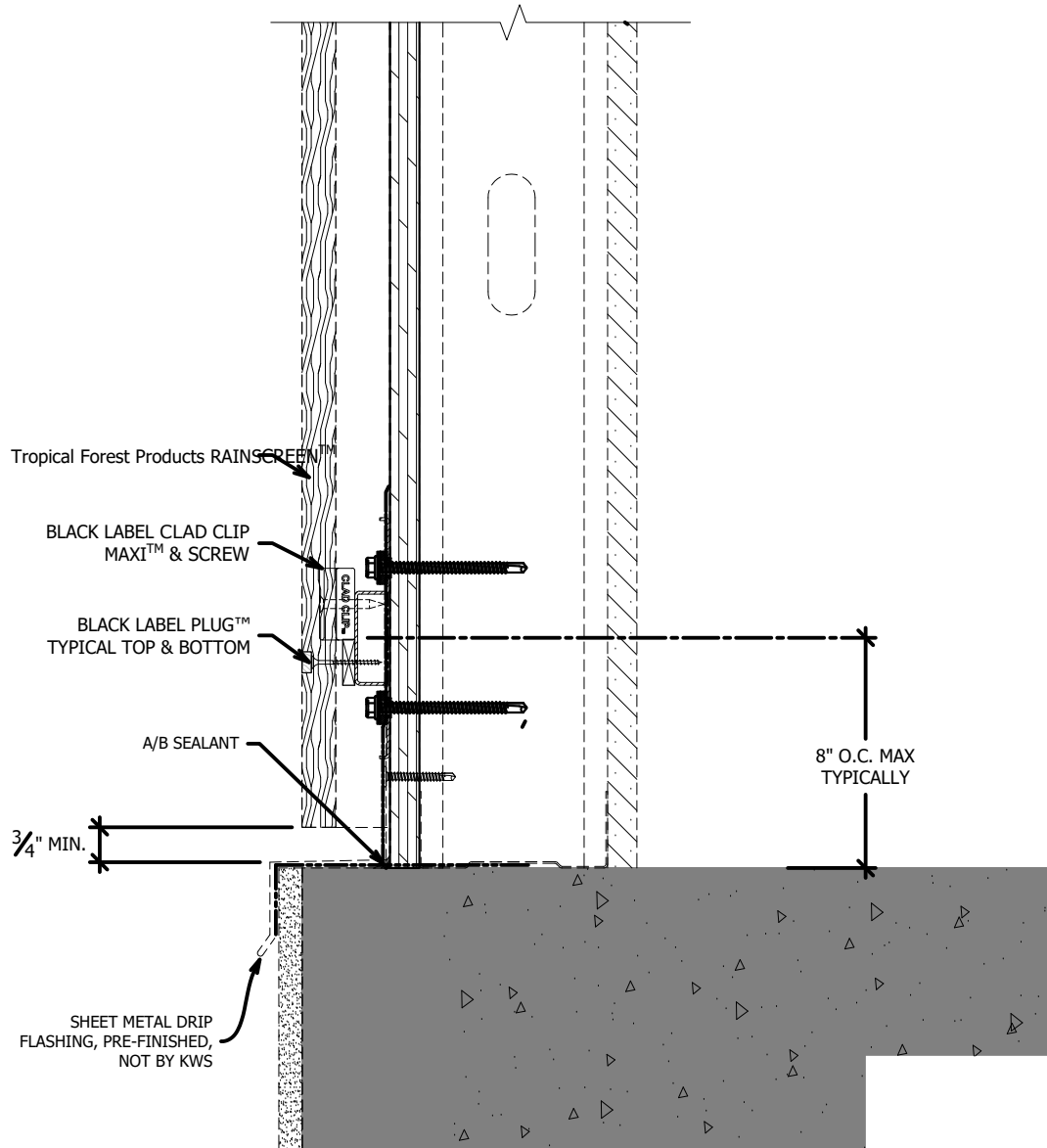
* FLASHING DETAILS VARY BASED ON WINDOW TYPE, POSITION (INSET VS FLUSH) AND CLADDING TYPE.

*MAXIMUM ALLOWABLE SPACING AND DEAD LOAD (WEIGHT OF CLADDING) IS BASED ON THE TOTAL LOAD (DEAD + LIVE) ACTING ON THE ASSEMBLY, BRACKETS AND CONNECTIONS

THESE GUIDE DETAILS ARE PROVIDED FOR INFORMATION ONLY AND OUTLINE GENERAL/TYPICAL REQUIREMENTS FOR THE ATTACHMENT SYSTEM. PROJECT SPECIFIC ENGINEERING WILL ADDRESS STRUCTURAL ATTACHMENT (i.e. FASTENING PATTERN, ETC.). CONTACT KWS FOR FURTHER DETAILS. ALL IMPLIED WARRANTIES INCLUDING MERCHANTABILITY & FITNESS FOR A PARTICULAR PURPOSE ARE EXPRESSLY EXCLUDED.

TROPICAL

VERTICAL APPLICATION: TYPICAL BASE OF WALL CONDITION SCALE: 3"=1'-0"



* CLEAR & UNRESTRICTED VENTILATION & DRAINAGE
REQUIRED AT BASE OF WALL

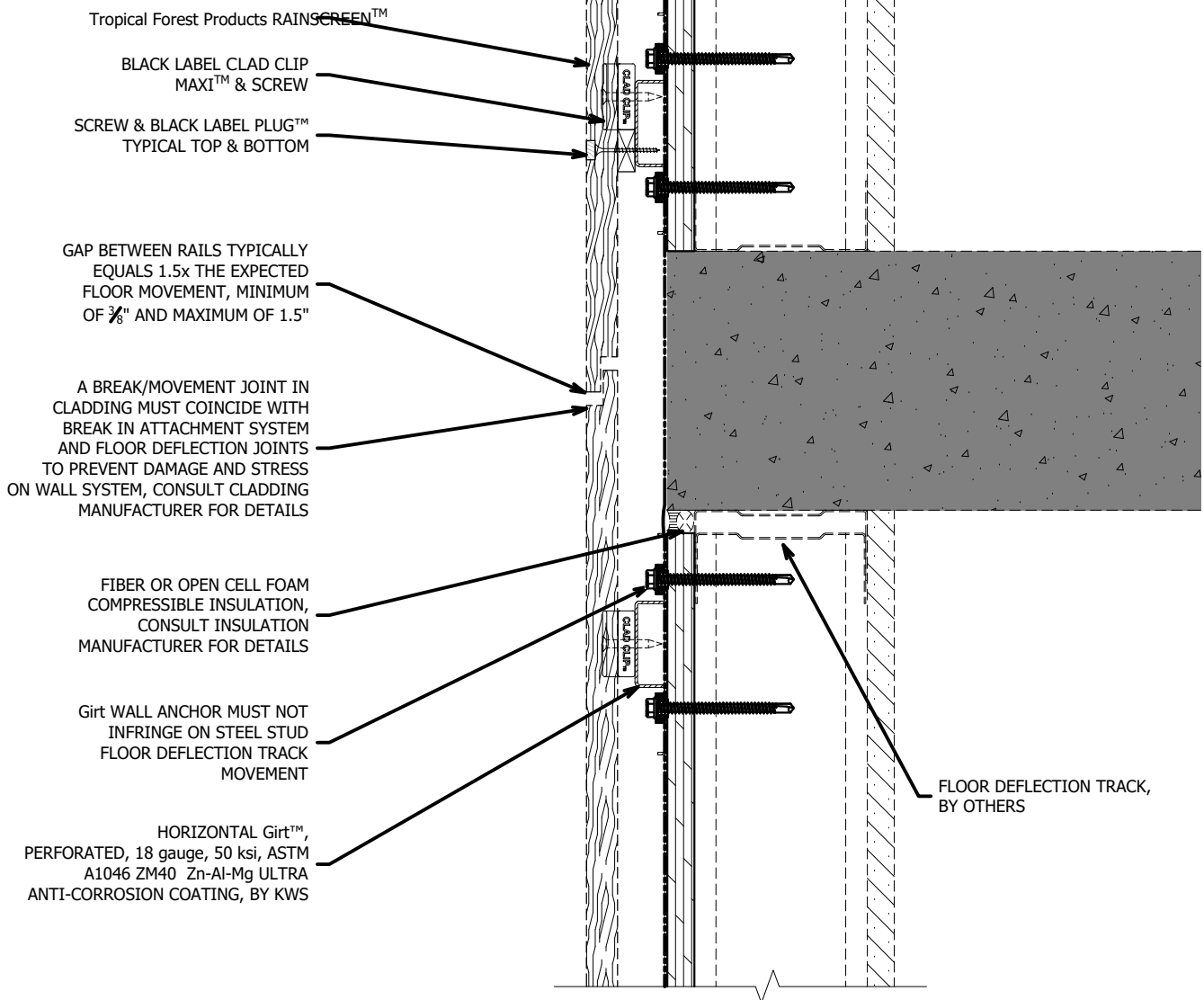
*MAXIMUM ALLOWABLE SPACING AND DEAD LOAD (WEIGHT
OF CLADDING) IS BASED ON THE TOTAL LOAD (DEAD + LIVE)
ACTING ON THE ASSEMBLY, BRACKETS AND CONNECTIONS

THESE GUIDE DETAILS ARE PROVIDED FOR INFORMATION ONLY AND OUTLINE GENERAL/TYPICAL REQUIREMENTS FOR THE ATTACHMENT SYSTEM. PROJECT SPECIFIC ENGINEERING WILL ADDRESS STRUCTURAL
ATTACHMENT (i.e. FASTENING PATTERN, ETC.). CONTACT KWS FOR FURTHER DETAILS. ALL IMPLIED WARRANTIES INCLUDING MERCHANTABILITY & FITNESS FOR A PARTICULAR PURPOSE ARE EXPRESSLY EXCLUDED.

TROPICAL

VERTICAL APPLICATION: TYPICAL FLOOR DEFLECTION JOINT SCALE: 3"=1'-0"

NOTE:
MAXIMUM PanelRail CANTILEVER
BEYOND A Girt VARIES PER
PROJECT. TYPICALLY IT WILL
RANGE FROM 6"-14".

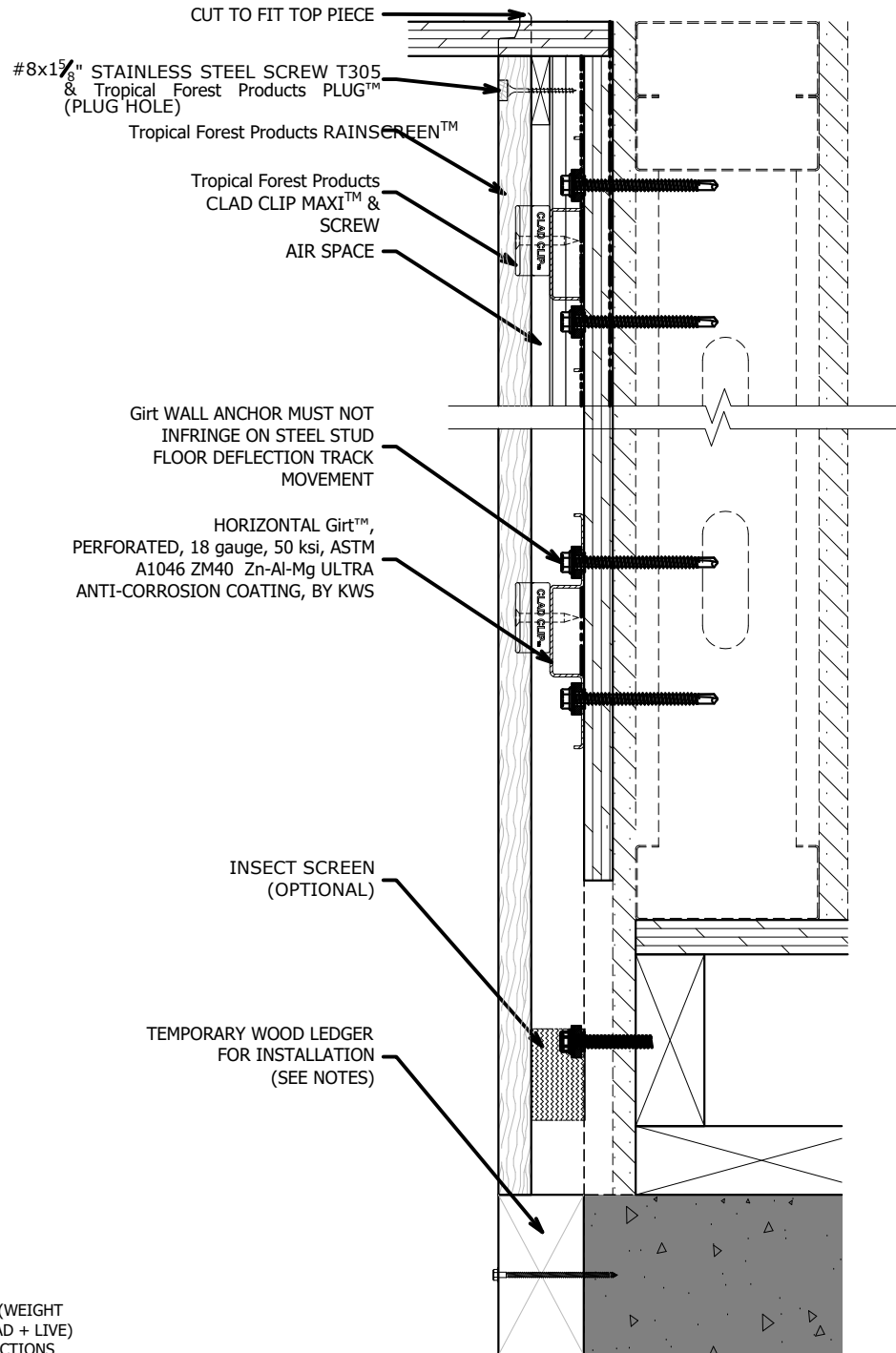


*MAXIMUM ALLOWABLE SPACING AND DEAD LOAD (WEIGHT OF CLADDING) IS BASED ON THE TOTAL LOAD (DEAD + LIVE) ACTING ON THE ASSEMBLY, BRACKETS AND CONNECTIONS

THESE GUIDE DETAILS ARE PROVIDED FOR INFORMATION ONLY AND OUTLINE GENERAL/TYPICAL REQUIREMENTS FOR THE ATTACHMENT SYSTEM. PROJECT SPECIFIC ENGINEERING WILL ADDRESS STRUCTURAL ATTACHMENT (i.e. FASTENING PATTERN, ETC.). CONTACT KWS FOR FURTHER DETAILS. ALL IMPLIED WARRANTIES INCLUDING MERCHANTABILITY & FITNESS FOR A PARTICULAR PURPOSE ARE EXPRESSLY EXCLUDED.

TROPICAL

VERTICAL APPLICATION: TYPICAL BOTTOM LEDGER & SCREW INSTALLATION SCALE: 3"=1'-0"



*MAXIMUM ALLOWABLE SPACING AND DEAD LOAD (WEIGHT OF CLADDING) IS BASED ON THE TOTAL LOAD (DEAD + LIVE) ACTING ON THE ASSEMBLY, BRACKETS AND CONNECTIONS

THESE GUIDE DETAILS ARE PROVIDED FOR INFORMATION ONLY AND OUTLINE GENERAL/TYPICAL REQUIREMENTS FOR THE ATTACHMENT SYSTEM. PROJECT SPECIFIC ENGINEERING WILL ADDRESS STRUCTURAL ATTACHMENT (i.e. FASTENING PATTERN, ETC.). CONTACT KWS FOR FURTHER DETAILS. ALL IMPLIED WARRANTIES INCLUDING MERCHANTABILITY & FITNESS FOR A PARTICULAR PURPOSE ARE EXPRESSLY EXCLUDED.

TROPICAL FOREST PRODUCTS COPYRIGHT 2021

