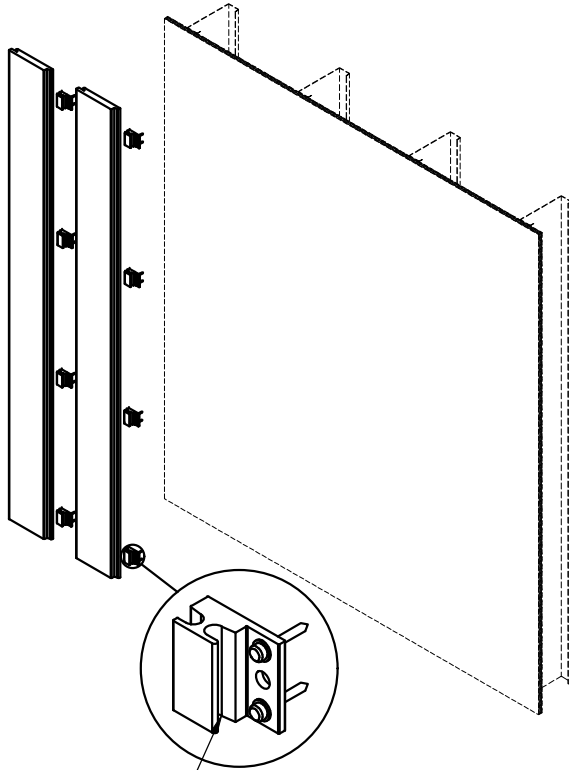


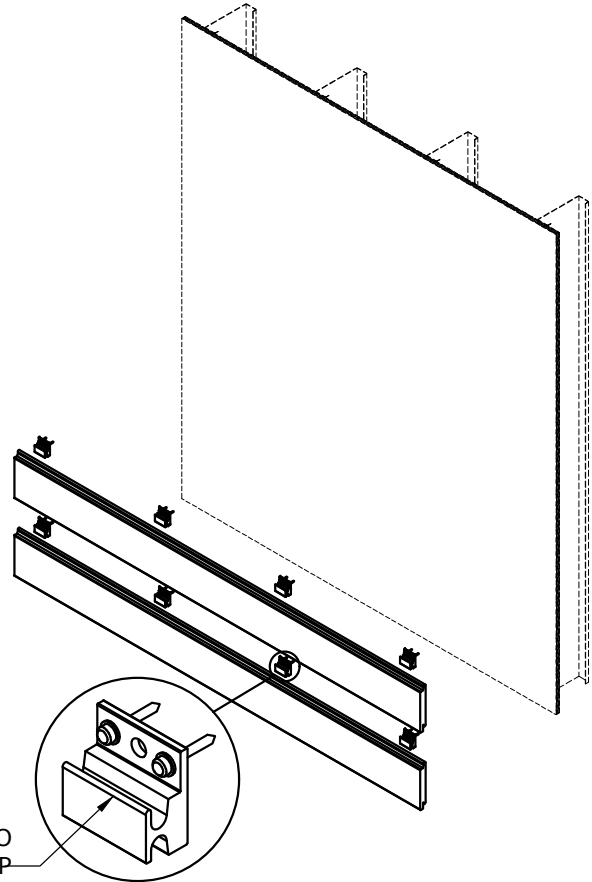
TROPICAL PRO CLAD CLIP ALUMINUM™ AND RAIN SCREEN SYSTEM GUIDE: MOISTURE RESISTANT BARRIER OVER WOOD SHEATHING HORIZONTAL & VERTICAL APPLICATIONS

**VERTICAL
APPLICATION**



TROPICAL PRO
CLAD CLIP
ALUMINUM™

**HORIZONTAL
APPLICATION**



TROPICAL PRO
CLAD CLIP
ALUMINUM™

SYSTEM DEPTH W/ TROPICAL RAINSCREEN™ & TROPICAL PRO CLAD CLIP ALUMINUM™:

1" RAINSCREEN = 1 1/8"

5/4" RAINSCREEN = 1 1/4"

(FACE OF WOOD SHEATHING TO FACE OF RAINSCREEN)

THESE GUIDE DETAILS ARE PROVIDED FOR INFORMATION ONLY AND OUTLINE GENERAL/TYPICAL REQUIREMENTS FOR THE ATTACHMENT SYSTEM. PROJECT SPECIFIC ENGINEERING WILL ADDRESS STRUCTURAL ATTACHMENT (I.E. FASTENING PATTERN, ETC.). CONTACT KWS FOR FURTHER DETAILS. ALL IMPLIED WARRANTIES INCLUDING MERCHANTABILITY & FITNESS FOR A PARTICULAR PURPOSE ARE EXPRESSLY EXCLUDED.

TROPICALFORESTPRODUCTS.COM

905.672.8000 or Toll Free 855.344.4500

info@tropicalforestproducts.com

6200 TOMKEN RD, MISSISSAUGA

ON, L5T 1X7. CANADA

Follow us at Instagram: @tropicalforestproducts

TROPICAL

TROPICAL RAINSCREEN GENERAL NOTES:

- TROPICAL FOREST PRODUCTS IS NOT RESPONSIBLE FOR INFORMATION SHOWN ON ALL DETAILS BEYOND SPECIFIC SCOPE OF WORK (INDICATED AS TFP RAIN SCREEN OR TROPICAL PRO CLAD CLIPS ALUMINUM).
- CONSULT TFP MASTER PLAN SHEET FOR ENGINEER SEALED SYSTEM DETAILS
- DETAILS ARE ONLY TO COMMUNICATE HOW TFP RAIN SCREEN CAN BE USED WITH KNIGHT WALL SYSTEMS.
- DETAILS OF ADJACENT WORK ARE SHOWN FOR COMPLETENESS, CLARITY AND CONVENIENCE AS AN EXAMPLE BUILT ENVIRONMENT ONLY.
- THE STRUCTURAL SUPPORT, BACK-UP WALL AND SUPER STRUCTURE DESIGN IS WITH OTHER PARTIES NOT LIMITED TO, STEEL STUD WALL, etc.). THE RESPONSIBILITY FOR THESE OTHER ASSEMBLIES TO ACCOMMODATE ALL LOADS IMPOSED UPON THEM BY TFP RAIN SCREEN, SHOULD BE CONSIDERED.
- SOFT JOINTS, SEALANT AND FLASHING SPECIFICATIONS, DESIGN AND INSTALLATION ARE WITH OTHER PARTIES
- WEATHER RESISTANT/AIR BARRIER AND INSULATION SPECIFICATIONS, DETAILING AND INSTALLATION, PENETRATIONS, ARE WITH OTHER PARTIES.
- TROPICAL FOREST PRODUCTS HAS SELECTED FASTENER AND CLIP METAL GRADES DESIGNED TO REDUCE GALVANIC REACTION. POTENTIAL GALVANIC REACTION ALWAYS EXISTS AT SOME LEVEL WHEN DISSIMILAR METALS ARE IN CONTACT. POTENTIAL GALVANIC REACTION MUST ALSO BE CONSIDERED WHEN METALS ARE IN CONTACT WITH CHEMICALLY TREATED LUMBER
- USE FINISH WOOD BLADES FOR CUTTING WOOD RAIN SCREEN COMPONENTS.
- APPLY ANCHORSEAL TO ALL FRESHLY CUT ENDS OF RAIN SCREEN BOARDS.
- USE OF IMPACT DRIVERS IS NOT RECOMMENDED WHEN DRIVING ANY FASTENER FOR THE SYSTEM.
- THE DETAILS WITHIN THIS DRAWING PACKAGE ARE NOT INTENDED TO REPLACE PROJECT SPECIFIC ENGINEERING CALCULATIONS OR THE DESIGN SERVICES OF A REGISTERED PROFESSIONAL DESIGNER AND ARE SUBJECT CHANGE AT ANY TIME. PROJECT SPECIFIC ENGINEERING PROVIDED BY OTHERS.
- NO FREEDOM FROM ANY PATENT OWNED BY TROPICAL FOREST PRODUCTS OR OTHERS IS TO BE INFERRED. BECAUSE USE CONDITIONS AND APPLICABLE DIFFER FROM ONE LOCATION TO ANOTHER AND MAY CHANGE WITH TIME, CUSTOMER IS RESPONSIBLE FOR DETERMINING WHETHER PRODUCTS AND THE INFORMATION DOCUMENT ARE APPROPRIATE FOR CUSTOMER'S USE AND FOR ENSURING THAT THE CUSTOMER'S WORKPLACE AND DISPOSAL PRACTICES ARE IN COMPLIANCE WITH APPLICABLE AND OTHER GOVERNMENT ENACTMENTS. TROPICAL FOREST PRODUCTS ASSUMES NO OBLIGATION OR LIABILITY FOR THE INFORMATION CONTAINED IN THIS DOCUMENT
- NO EXPRESS WARRANTIES ARE GIVEN EXCEPT FOR ANY APPLICABLE WRITTEN LIMITED WARRANTIES SPECIFICALLY PROVIDED BY TROPICAL FOREST PRODUCTS. ALL IMPLIED WARRANTIES INCLUDING THOSE OF MERCHANTABILITY AND FITNESS FOR A PARTICULAR PURPOSE ARE EXPRESSLY EXCLUDED
- BUILDING AND/OR CONSTRUCTION PRACTICES UNRELATED TO BUILDING MATERIALS COULD GREATLY AFFECT MOISTURE AND THE POTENTIAL FOR MOLD FORMATION. NO MATERIAL SUPPLIER INCLUDING TROPICAL FOREST PRODUCTS CAN GIVE ASSURANCE THAT MOLD WILL NOT DEVELOP.

THESE GUIDE DETAILS ARE PROVIDED FOR INFORMATION ONLY AND OUTLINE GENERAL/TYPICAL REQUIREMENTS FOR THE ATTACHMENT SYSTEM. PROJECT SPECIFIC ENGINEERING WILL ADDRESS STRUCTURAL ATTACHMENT (i.e. FASTENING PATTERN, ETC.). CONTACT KWS FOR FURTHER DETAILS. ALL IMPLIED WARRANTIES INCLUDING MERCHANTABILITY & FITNESS FOR A PARTICULAR PURPOSE ARE EXPRESSLY EXCLUDED.

TROPICALFORESTPRODUCTS.COM

905.672.8000 or Toll Free 855.344.4500

info@tropicalforestproducts.com

6200 TOMKEN RD, MISSISSAUGA

ON, L5T 1X7. CANADA

Follow us at Instagram: @tropicalforestproducts

TROPICAL

TABLE OF CONTENTS

1. TITLE PAGE
2. TROPICAL RAINSCREEN GENERAL NOTES
3. TABLE OF CONTENTS
4. TABLE OF CONTENTS (CONTINUED)
5. TROPICAL PRO CLAD CLIP ALUMINUM DETAILS
6. LAYUP DIMENSIONS HORIZONTAL RAINSCREEN: 1" WITH NO REVEAL
7. LAYUP DIMENSIONS HORIZONTAL RAINSCREEN: 1" WITH $\frac{1}{8}$ " REVEAL
8. LAYUP DIMENSIONS HORIZONTAL RAINSCREEN: 1" WITH $\frac{1}{4}$ " REVEAL
9. LAYUP DIMENSIONS HORIZONTAL RAINSCREEN: 1" WITH $\frac{1}{2}$ " REVEAL
10. LAYUP DIMENSIONS HORIZONTAL RAINSCREEN: 5/4" WITH NO REVEAL
11. LAYUP DIMENSIONS HORIZONTAL RAINSCREEN: 5/4" WITH $\frac{1}{8}$ " REVEAL
12. LAYUP DIMENSIONS HORIZONTAL RAINSCREEN: 5/4" WITH $\frac{1}{4}$ " REVEAL
13. LAYUP DIMENSIONS HORIZONTAL RAINSCREEN: 5/4" WITH $\frac{1}{2}$ " REVEAL
14. HORIZONTAL APPLICATION: CLAD CLIP ALUMINUM SPECS
15. TYPICAL SECTION VIEW - HORIZONTAL RAINSCREEN
16. TYPICAL PLAN VIEW - HORIZONTAL RAINSCREEN
17. TYPICAL SECTION W/ SOFFIT - HORIZONTAL RAINSCREEN
18. TYPICAL SECTION W/ SOFFIT ONLY - HORIZONTAL RAINSCREEN
19. TYPICAL OUTSIDE CORNER - HORIZONTAL RAINSCREEN : MITER W/ GAP
20. TYPICAL OUTSIDE CORNER - HORIZONTAL RAINSCREEN : MITER
21. TYPICAL OUTSIDE CORNER - HORIZONTAL RAINSCREEN : ALUMINUM EXTRUSION
22. TYPICAL OUTSIDE CORNER - HORIZONTAL RAINSCREEN : FLUSH WOOD
23. TYPICAL OUTSIDE CORNER - HORIZONTAL RAINSCREEN : BUTT JOINT
24. TYPICAL INSIDE CORNER - HORIZONTAL RAINSCREEN : MITER W/ GAP
25. TYPICAL INSIDE CORNER - HORIZONTAL RAINSCREEN : MITER
26. TYPICAL INSIDE CORNER - HORIZONTAL RAINSCREEN : BUTT JOINT
27. TYPICAL JAMB CONDITION - HORIZONTAL RAINSCREEN
28. TYPICAL HEAD/SILL CONDITION - HORIZONTAL RAINSCREEN

PLEASE FEEL FREE TO CONTACT TROPICAL FOREST PRODUCTS FOR PROJECT SPECIFIC ASSISTANCE WITH TFP® CLADDING OPTIONS AND SPECIFIC ASSISTANCE.

905.672.8000 OR 855.344.4500

info@tropicalforestproducts.com

THESE GUIDE DETAILS ARE PROVIDED FOR INFORMATION ONLY AND OUTLINE GENERAL/TYPICAL REQUIREMENTS FOR THE ATTACHMENT SYSTEM. PROJECT SPECIFIC ENGINEERING WILL ADDRESS STRUCTURAL ATTACHMENT (I.E. FASTENING PATTERN, ETC.). CONTACT KWS FOR FURTHER DETAILS. ALL IMPLIED WARRANTIES INCLUDING MERCHANTABILITY & FITNESS FOR A PARTICULAR PURPOSE ARE EXPRESSLY EXCLUDED.

TROPICALFORESTPRODUCTS.COM

905.672.8000 or Toll Free 855.344.4500

info@tropicalforestproducts.com

6200 TOMKEN RD, MISSISSAUGA

ON, L5T 1X7, CANADA

Follow us at Instagram: [@tropicalforestproducts](https://www.instagram.com/tropicalforestproducts)

TROPICAL

PAGE: 3 of 56

TABLE OF CONTENTS (CONTINUED)

29. TYPICAL BASE OF WALL CONDITION - HORIZONTAL RAINSCREEN
30. TYPICAL FLOOR DEFLECTION JOINT - HORIZONTAL RAINSCREEN
31. LAYUP DIMENSIONS VERTICAL RAINSCREEN: 1" WITH NO REVEAL
32. LAYUP DIMENSIONS VERTICAL RAINSCREEN: 1" WITH $\frac{1}{8}$ " REVEAL
33. LAYUP DIMENSIONS VERTICAL RAINSCREEN: 1" WITH $\frac{1}{4}$ " REVEAL
34. LAYUP DIMENSIONS VERTICAL RAINSCREEN: 1" WITH $\frac{1}{2}$ " REVEAL
35. LAYUP DIMENSIONS VERTICAL RAINSCREEN: 5/4" WITH NO REVEAL
36. LAYUP DIMENSIONS VERTICAL RAINSCREEN: 5/4" WITH $\frac{1}{8}$ " REVEAL
37. LAYUP DIMENSIONS VERTICAL RAINSCREEN: 5/4" WITH $\frac{1}{4}$ " REVEAL
38. LAYUP DIMENSIONS VERTICAL RAINSCREEN: 5/4" WITH $\frac{1}{2}$ " REVEAL
39. VERTICAL APPLICATION: CLAD CLIP ALUMINUM SPECS
40. TYPICAL SECTION VIEW - VERTICAL RAINSCREEN
41. TYPICAL PLAN VIEW - VERTICAL RAINSCREEN
42. TYPICAL SECTION W/ SOFFIT - VERTICAL RAINSCREEN
43. TYPICAL SECTION W/ SOFFIT ONLY - VERTICAL RAINSCREEN
44. TYPICAL OUTSIDE CORNER - VERTICAL RAINSCREEN : MITER W/ GAP
45. TYPICAL OUTSIDE CORNER - VERTICAL RAINSCREEN : MITER
46. TYPICAL OUTSIDE CORNER - VERTICAL RAINSCREEN : ALUMINUM EXTRUSION
47. TYPICAL OUTSIDE CORNER - VERTICAL RAINSCREEN : FLUSH WOOD
48. TYPICAL OUTSIDE CORNER - VERTICAL RAINSCREEN : BUTT JOINT
49. TYPICAL INSIDE CORNER - VERTICAL RAINSCREEN : MITER W/ GAP
50. TYPICAL INSIDE CORNER - VERTICAL RAINSCREEN : MITER
51. TYPICAL INSIDE CORNER - VERTICAL RAINSCREEN : BUTT JOINT
52. TYPICAL JAMB CONDITION - VERTICAL RAINSCREEN
53. TYPICAL HEAD/SILL CONDITION - VERTICAL RAINSCREEN
54. TYPICAL BASE OF WALL CONDITION - VERTICAL RAINSCREEN
55. TYPICAL FLOOR DEFLECTION JOINT - VERTICAL RAINSCREEN
56. BOTTOM LEDGER & SCREW INSTALLATION

PLEASE FEEL FREE TO CONTACT TROPICAL FOREST PRODUCTS FOR PROJECT SPECIFIC ASSISTANCE WITH TFP® CLADDING OPTIONS AND SPECIFIC ASSISTANCE.

905.672.8000 OR 855.344.4500

info@tropicalforestproducts.com

THESE GUIDE DETAILS ARE PROVIDED FOR INFORMATION ONLY AND OUTLINE GENERAL/TYPICAL REQUIREMENTS FOR THE ATTACHMENT SYSTEM. PROJECT SPECIFIC ENGINEERING WILL ADDRESS STRUCTURAL ATTACHMENT (I.E. FASTENING PATTERN, ETC.). CONTACT KWS FOR FURTHER DETAILS. ALL IMPLIED WARRANTIES INCLUDING MERCHANTABILITY & FITNESS FOR A PARTICULAR PURPOSE ARE EXPRESSLY EXCLUDED.

TROPICALFORESTPRODUCTS.COM

905.672.8000 or Toll Free 855.344.4500

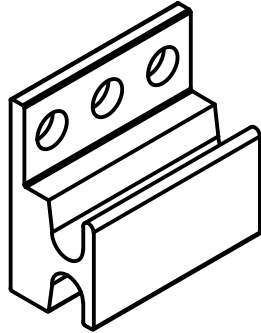
info@tropicalforestproducts.com

6200 TOMKEN RD, MISSISSAUGA
ON, L5T 1X7, CANADA

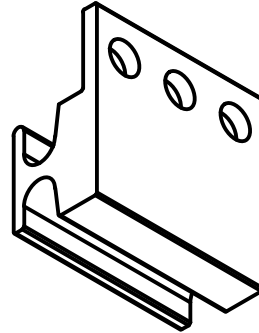
Follow us at Instagram: [@tropicalforestproducts](https://www.instagram.com/tropicalforestproducts)

TROPICAL

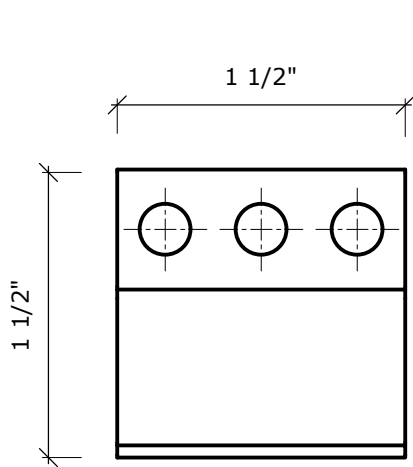
TROPICAL PRO CLAD CLIP ALUMINUM™ DETAILS
SCALE: FULL



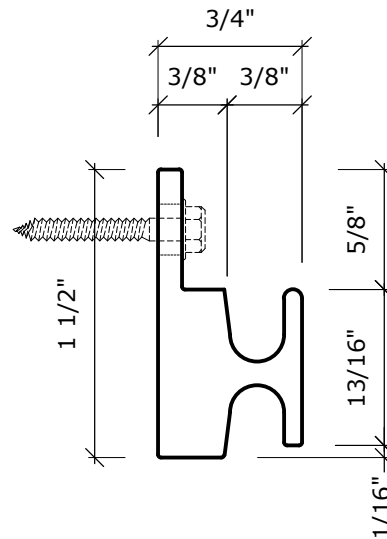
ISOMETRIC



REAR ISOMETRIC



FRONT VIEW



SIDE VIEW

A TROPICAL PRO CLAD CLIP ALUMINUM - AKB000131
SCALE: FULL

THESE GUIDE DETAILS ARE PROVIDED FOR INFORMATION ONLY AND OUTLINE GENERAL/TYPICAL REQUIREMENTS FOR THE ATTACHMENT SYSTEM. PROJECT SPECIFIC ENGINEERING WILL ADDRESS STRUCTURAL ATTACHMENT (i.e. FASTENING PATTERN, ETC.). CONTACT KWS FOR FURTHER DETAILS. ALL IMPLIED WARRANTIES INCLUDING MERCHANTABILITY & FITNESS FOR A PARTICULAR PURPOSE ARE EXPRESSLY EXCLUDED.

TROPICALFORESTPRODUCTS.COM

905.672.8000 or Toll Free 855.344.4500

info@tropicalforestproducts.com

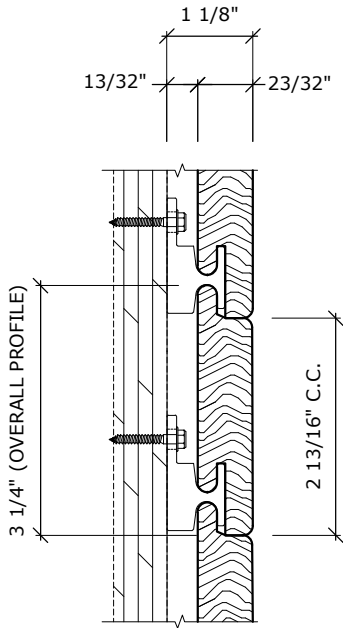
6200 TOMKEN RD, MISSISSAUGA

ON, L5T 1X7. CANADA

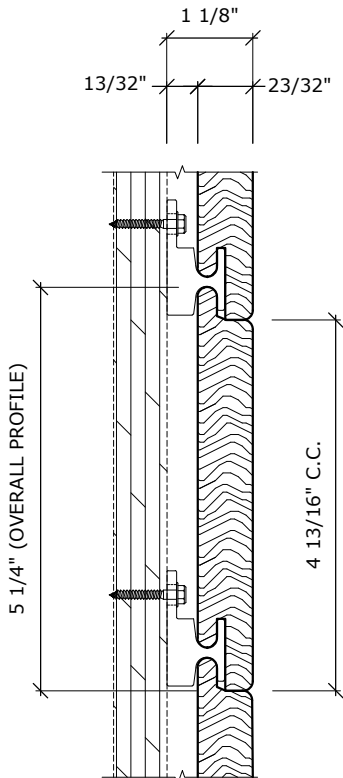
Follow us at Instagram: @tropicalforestproducts

TROPICAL

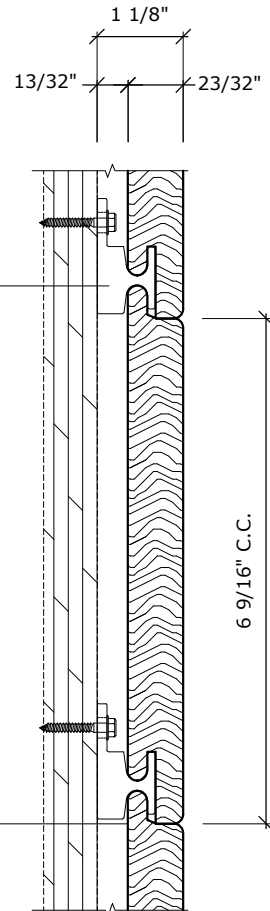
**HORIZONTAL APPLICATION: LAYUP DIMENSIONS - 1" WITH NO REVEAL
SCALE: NTS**



A TROPICAL PRO CLAD CLIP ALUMINUM w/1"x4" NO REVEAL RAINSCREEN
SCALE: NTS



B TROPICAL PRO CLAD CLIP ALUMINUM w/1"x6" NO REVEAL RAINSCREEN
SCALE: NTS



C TROPICAL PRO CLAD CLIP ALUMINUM w/1"x8" NO REVEAL RAINSCREEN
SCALE: NTS

THESE GUIDE DETAILS ARE PROVIDED FOR INFORMATION ONLY AND OUTLINE GENERAL/TYPICAL REQUIREMENTS FOR THE ATTACHMENT SYSTEM. PROJECT SPECIFIC ENGINEERING WILL ADDRESS STRUCTURAL ATTACHMENT (I.E. FASTENING PATTERN, ETC.). CONTACT KWS FOR FURTHER DETAILS. ALL IMPLIED WARRANTIES INCLUDING MERCHANTABILITY & FITNESS FOR A PARTICULAR PURPOSE ARE EXPRESSLY EXCLUDED.

TROPICALFORESTPRODUCTS.COM

905.672.8000 or Toll Free 855.344.4500

info@tropicalforestproducts.com

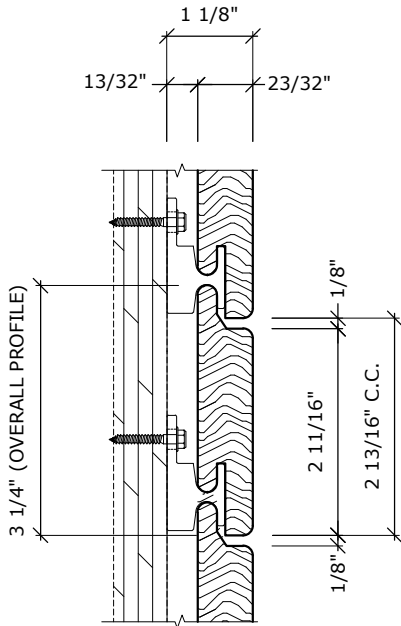
6200 TOMKEN RD, MISSISSAUGA

ON, L5T 1X7. CANADA

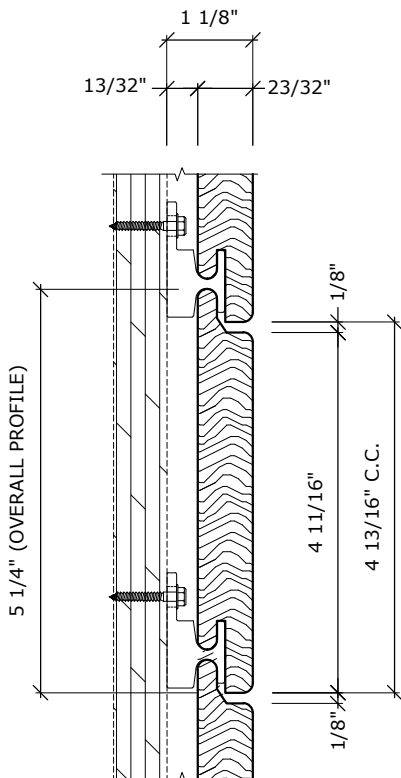
Follow us at Instagram: @tropicalforestproducts

TROPICAL

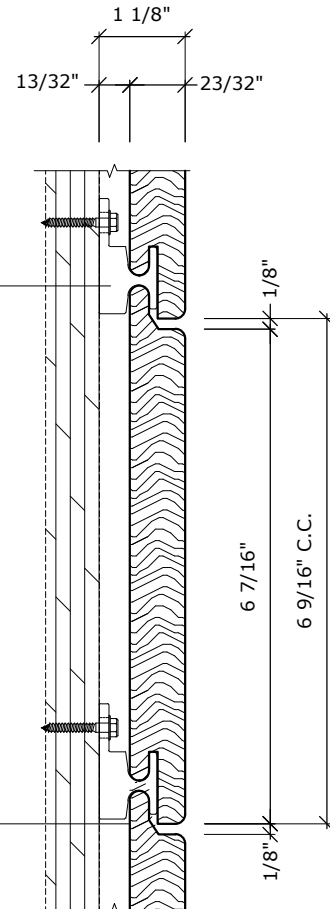
**HORIZONTAL APPLICATION: LAYUP DIMENSIONS - 1" WITH 1/8" REVEAL
SCALE: NTS**



A TROPICAL PRO CLAD CLIP ALUMINUM w/1"x4" 1/8 REVEAL RAINSCREEN
SCALE: NTS



B TROPICAL PRO CLAD CLIP ALUMINUM w/1"x6" 1/8 REVEAL RAINSCREEN
SCALE: NTS



C TROPICAL PRO CLAD CLIP ALUMINUM w/1"x8" 1/8 REVEAL RAINSCREEN
SCALE: NTS

THESE GUIDE DETAILS ARE PROVIDED FOR INFORMATION ONLY AND OUTLINE GENERAL/TYPICAL REQUIREMENTS FOR THE ATTACHMENT SYSTEM. PROJECT SPECIFIC ENGINEERING WILL ADDRESS STRUCTURAL ATTACHMENT (I.E. FASTENING PATTERN, ETC.). CONTACT KWS FOR FURTHER DETAILS. ALL IMPLIED WARRANTIES INCLUDING MERCHANTABILITY & FITNESS FOR A PARTICULAR PURPOSE ARE EXPRESSLY EXCLUDED.

TROPICALFORESTPRODUCTS.COM

905.672.8000 or Toll Free 855.344.4500

info@tropicalforestproducts.com

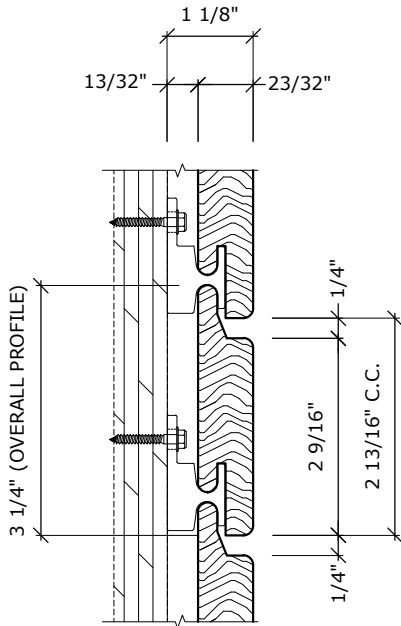
6200 TOMKEN RD, MISSISSAUGA

ON, L5T 1X7. CANADA

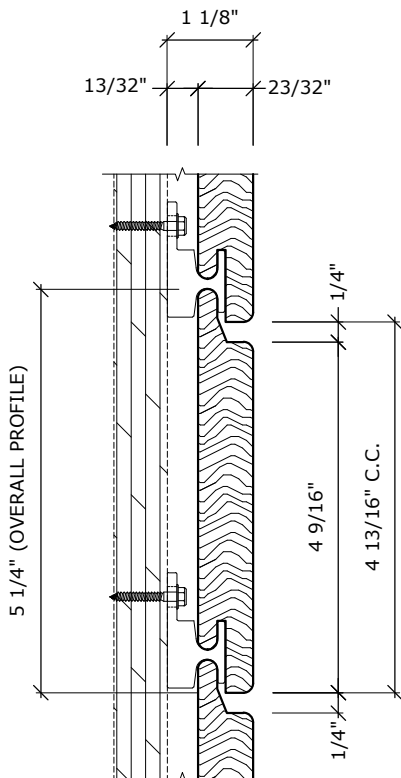
Follow us at Instagram: @tropicalforestproducts

TROPICAL

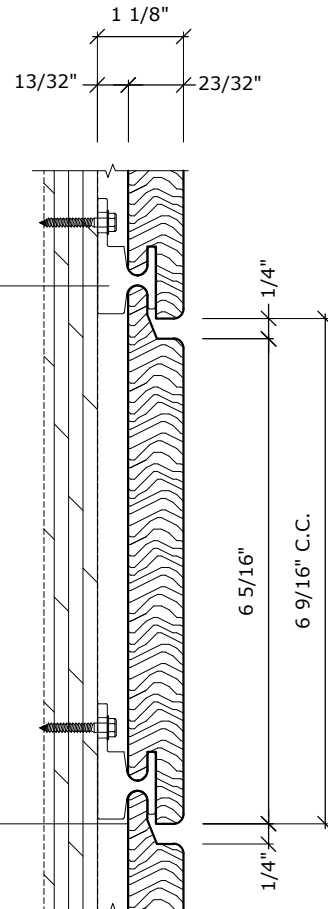
**HORIZONTAL APPLICATION: LAYUP DIMENSIONS - 1" WITH 1/4" REVEAL
SCALE: NTS**



A TROPICAL PRO CLAD CLIP ALUMINUM w/1"x4" 1/4 REVEAL RAINSCREEN
SCALE: NTS



B TROPICAL PRO CLAD CLIP ALUMINUM w/1"x6" 1/4 REVEAL RAINSCREEN
SCALE: NTS



C TROPICAL PRO CLAD CLIP ALUMINUM w/1"x8" 1/4 REVEAL RAINSCREEN
SCALE: NTS

THESE GUIDE DETAILS ARE PROVIDED FOR INFORMATION ONLY AND OUTLINE GENERAL/TYPICAL REQUIREMENTS FOR THE ATTACHMENT SYSTEM. PROJECT SPECIFIC ENGINEERING WILL ADDRESS STRUCTURAL ATTACHMENT (I.E. FASTENING PATTERN, ETC.). CONTACT KWS FOR FURTHER DETAILS. ALL IMPLIED WARRANTIES INCLUDING MERCHANTABILITY & FITNESS FOR A PARTICULAR PURPOSE ARE EXPRESSLY EXCLUDED.

TROPICALFORESTPRODUCTS.COM

905.672.8000 or Toll Free 855.344.4500

info@tropicalforestproducts.com

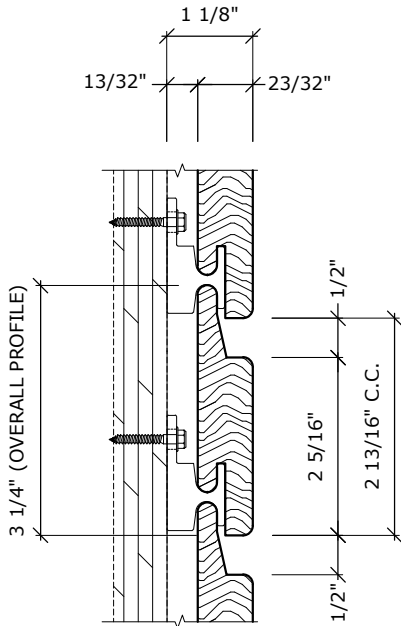
6200 TOMKEN RD, MISSISSAUGA

ON, L5T 1X7. CANADA

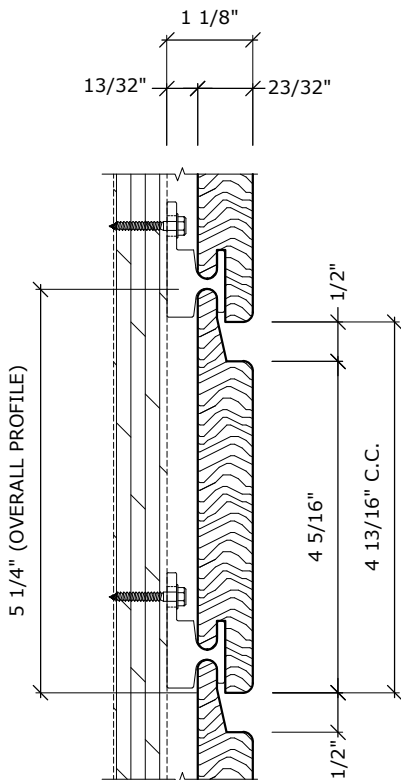
Follow us at Instagram: @tropicalforestproducts

TROPICAL

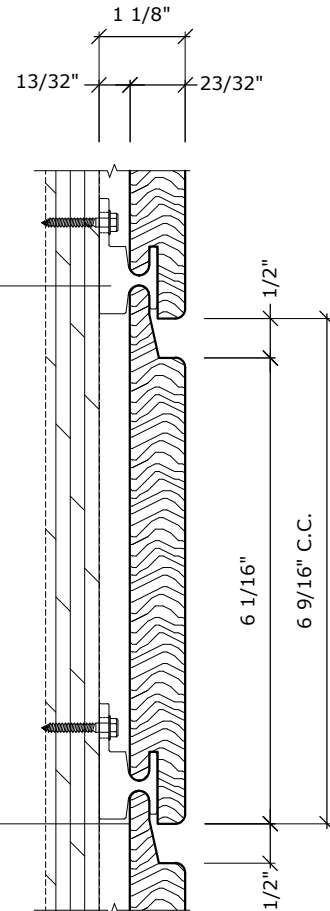
HORIZONTAL APPLICATION: LAYUP DIMENSIONS - 1" WITH 1/2" REVEAL
SCALE: NTS



A TROPICAL PRO CLAD CLIP ALUMINUM w/1"x4" 1/2 REVEAL RAINSCREEN
SCALE: NTS



B TROPICAL PRO CLAD CLIP ALUMINUM w/1"x6" 1/2 REVEAL RAINSCREEN
SCALE: NTS



C TROPICAL PRO CLAD CLIP ALUMINUM w/1"x8" 1/2 REVEAL RAINSCREEN
SCALE: NTS

THESE GUIDE DETAILS ARE PROVIDED FOR INFORMATION ONLY AND OUTLINE GENERAL/TYPICAL REQUIREMENTS FOR THE ATTACHMENT SYSTEM. PROJECT SPECIFIC ENGINEERING WILL ADDRESS STRUCTURAL ATTACHMENT (I.E. FASTENING PATTERN, ETC.). CONTACT KWS FOR FURTHER DETAILS. ALL IMPLIED WARRANTIES INCLUDING MERCHANTABILITY & FITNESS FOR A PARTICULAR PURPOSE ARE EXPRESSLY EXCLUDED.

TROPICALFORESTPRODUCTS.COM

905.672.8000 or Toll Free 855.344.4500

info@tropicalforestproducts.com

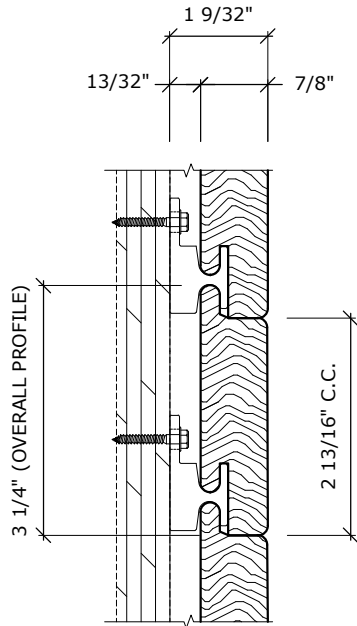
6200 TOMKEN RD, MISSISSAUGA

ON, L5T 1X7. CANADA

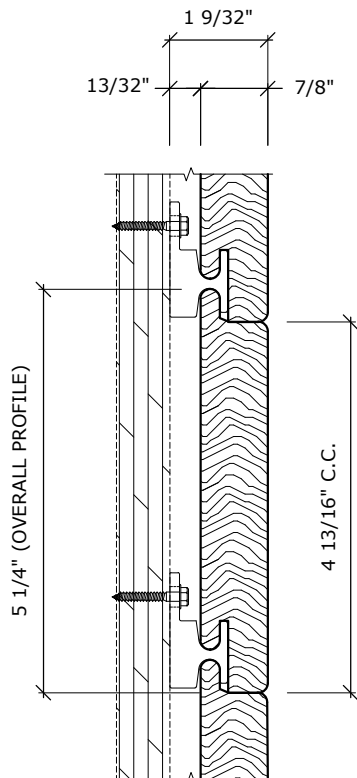
Follow us at Instagram: @tropicalforestproducts

TROPICAL

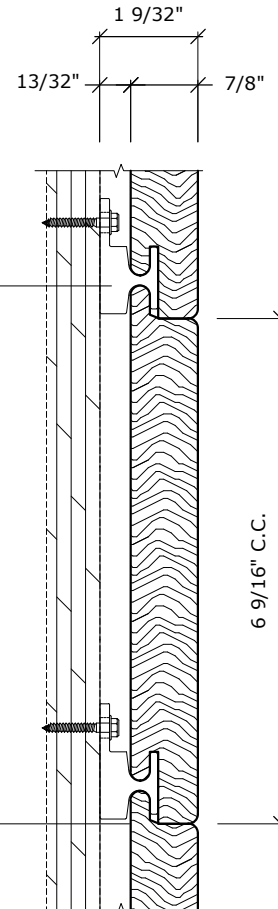
**HORIZONTAL APPLICATION: LAYUP DIMENSIONS - 5/4" WITH NO REVEAL
SCALE: NTS**



A TROPICAL PRO CLAD CLIP ALUMINUM w/5/4"x4" NO REVEAL RAINSCREEN
SCALE: NTS



B TROPICAL PRO CLAD CLIP ALUMINUM w/5/4"x6" NO REVEAL RAINSCREEN
SCALE: NTS



C TROPICAL PRO CLAD CLIP ALUMINUM w/5/4"x8" NO REVEAL RAINSCREEN
SCALE: NTS

THESE GUIDE DETAILS ARE PROVIDED FOR INFORMATION ONLY AND OUTLINE GENERAL/TYPICAL REQUIREMENTS FOR THE ATTACHMENT SYSTEM. PROJECT SPECIFIC ENGINEERING WILL ADDRESS STRUCTURAL ATTACHMENT (I.E. FASTENING PATTERN, ETC.). CONTACT KWS FOR FURTHER DETAILS. ALL IMPLIED WARRANTIES INCLUDING MERCHANTABILITY & FITNESS FOR A PARTICULAR PURPOSE ARE EXPRESSLY EXCLUDED.

TROPICALFORESTPRODUCTS.COM

905.672.8000 or Toll Free 855.344.4500

info@tropicalforestproducts.com

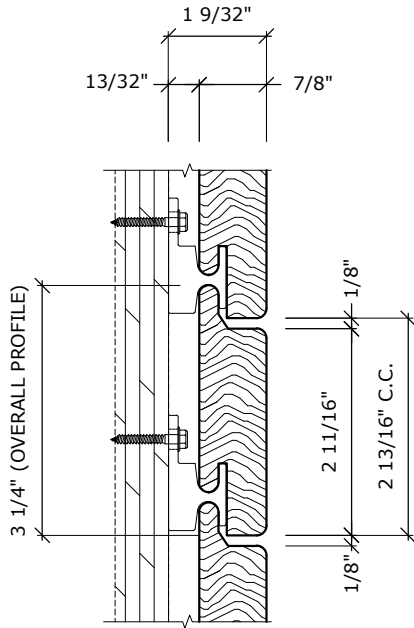
6200 TOMKEN RD, MISSISSAUGA

ON, L5T 1X7. CANADA

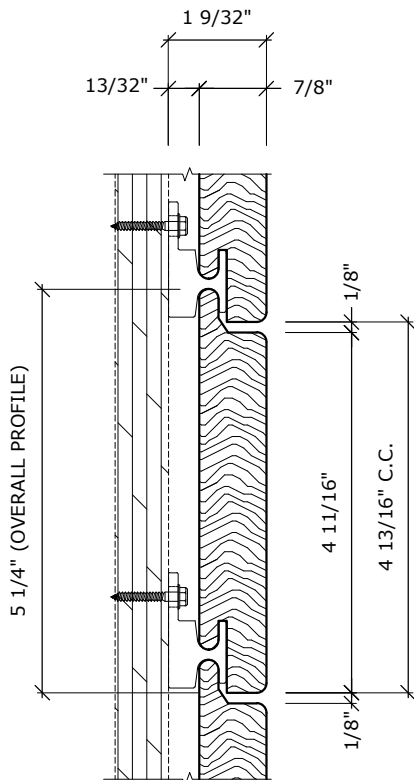
Follow us at Instagram: @tropicalforestproducts

TROPICAL

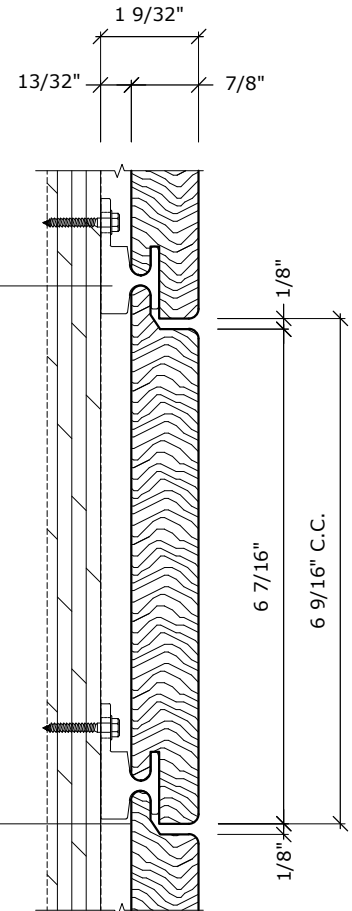
**HORIZONTAL APPLICATION: LAYUP DIMENSIONS - 5/4" WITH 1/8" REVEAL
SCALE: NTS**



A TROPICAL PRO CLAD CLIP ALUMINUM w/5/4"x4" 1/8 REVEAL RAINSCREEN
SCALE: NTS



B TROPICAL PRO CLAD CLIP ALUMINUM w/5/4"x6" 1/8 REVEAL RAINSCREEN
SCALE: NTS



C TROPICAL PRO CLAD CLIP ALUMINUM w/5/4"x8" 1/8 REVEAL RAINSCREEN
SCALE: NTS

THESE GUIDE DETAILS ARE PROVIDED FOR INFORMATION ONLY AND OUTLINE GENERAL/TYPICAL REQUIREMENTS FOR THE ATTACHMENT SYSTEM. PROJECT SPECIFIC ENGINEERING WILL ADDRESS STRUCTURAL ATTACHMENT (I.E. FASTENING PATTERN, ETC.). CONTACT KWS FOR FURTHER DETAILS. ALL IMPLIED WARRANTIES INCLUDING MERCHANTABILITY & FITNESS FOR A PARTICULAR PURPOSE ARE EXPRESSLY EXCLUDED.

TROPICALFORESTPRODUCTS.COM

905.672.8000 or Toll Free 855.344.4500

info@tropicalforestproducts.com

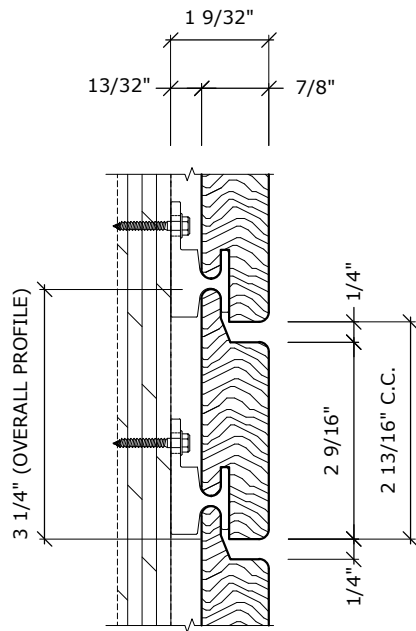
6200 TOMKEN RD, MISSISSAUGA

ON, L5T 1X7. CANADA

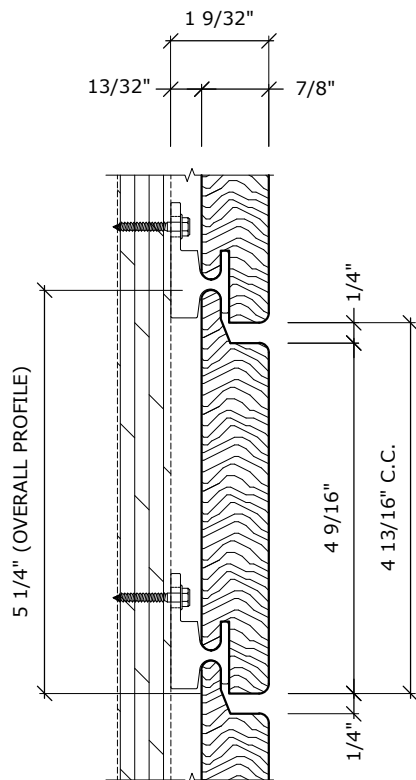
Follow us at Instagram: @tropicalforestproducts

TROPICAL

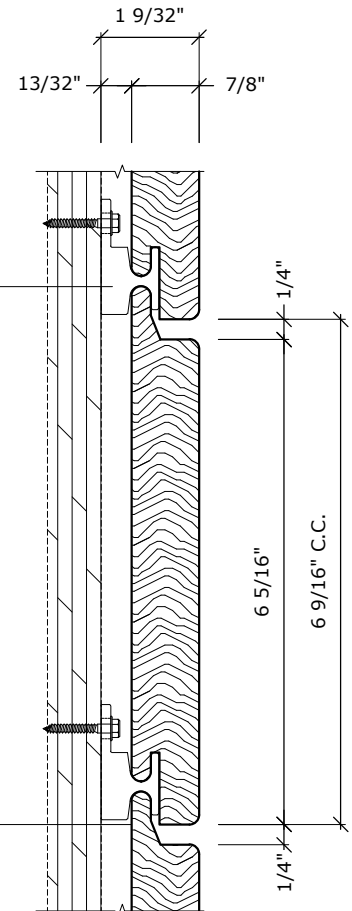
**HORIZONTAL APPLICATION: LAYUP DIMENSIONS - 5/4" WITH 1/4" REVEAL
SCALE: NTS**



A TROPICAL PRO CLAD CLIP ALUMINUM w/5/4"x4" 1/4 REVEAL RAINSCREEN
SCALE: NTS



B TROPICAL PRO CLAD CLIP ALUMINUM w/5/4"x6" 1/4 REVEAL RAINSCREEN
SCALE: NTS



C TROPICAL PRO CLAD CLIP ALUMINUM w/5/4"x8" 1/4 REVEAL RAINSCREEN
SCALE: NTS

THESE GUIDE DETAILS ARE PROVIDED FOR INFORMATION ONLY AND OUTLINE GENERAL/TYPICAL REQUIREMENTS FOR THE ATTACHMENT SYSTEM. PROJECT SPECIFIC ENGINEERING WILL ADDRESS STRUCTURAL ATTACHMENT (I.E. FASTENING PATTERN, ETC.). CONTACT KWS FOR FURTHER DETAILS. ALL IMPLIED WARRANTIES INCLUDING MERCHANTABILITY & FITNESS FOR A PARTICULAR PURPOSE ARE EXPRESSLY EXCLUDED.

TROPICALFORESTPRODUCTS.COM

905.672.8000 or Toll Free 855.344.4500

info@tropicalforestproducts.com

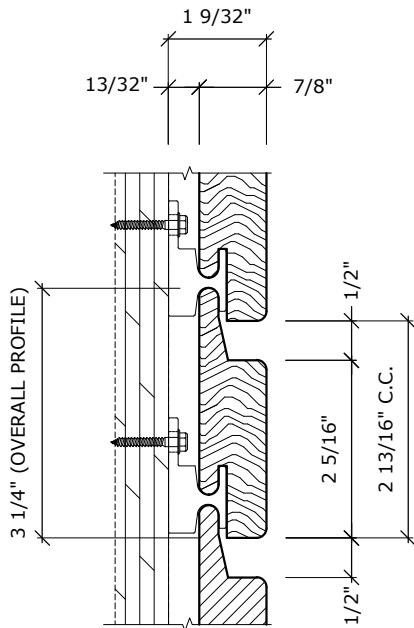
6200 TOMKEN RD, MISSISSAUGA

ON, L5T 1X7. CANADA

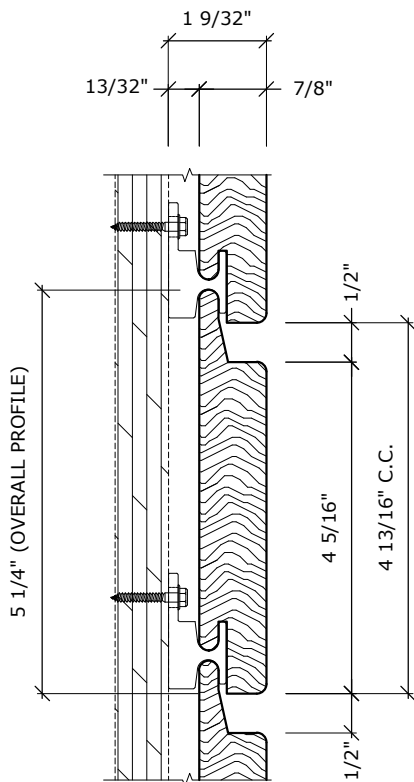
Follow us at Instagram: @tropicalforestproducts

TROPICAL

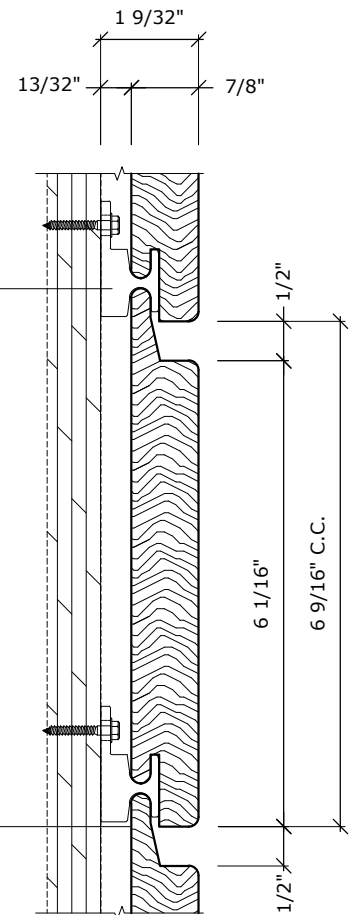
**HORIZONTAL APPLICATION: LAYUP DIMENSIONS - 5/4" WITH 1/2" REVEAL
SCALE: NTS**



A TROPICAL PRO CLAD CLIP ALUMINUM w/5/4"x4" 1/2 REVEAL RAINSCREEN
SCALE: NTS



B TROPICAL PRO CLAD CLIP ALUMINUM w/5/4"x6" 1/2 REVEAL RAINSCREEN
SCALE: NTS



C TROPICAL PRO CLAD CLIP ALUMINUM w/5/4"x8" 1/2 REVEAL RAINSCREEN
SCALE: NTS

THESE GUIDE DETAILS ARE PROVIDED FOR INFORMATION ONLY AND OUTLINE GENERAL/TYPICAL REQUIREMENTS FOR THE ATTACHMENT SYSTEM. PROJECT SPECIFIC ENGINEERING WILL ADDRESS STRUCTURAL ATTACHMENT (I.E. FASTENING PATTERN, ETC.). CONTACT KWS FOR FURTHER DETAILS. ALL IMPLIED WARRANTIES INCLUDING MERCHANTABILITY & FITNESS FOR A PARTICULAR PURPOSE ARE EXPRESSLY EXCLUDED.

TROPICALFORESTPRODUCTS.COM

905.672.8000 or Toll Free 855.344.4500

info@tropicalforestproducts.com

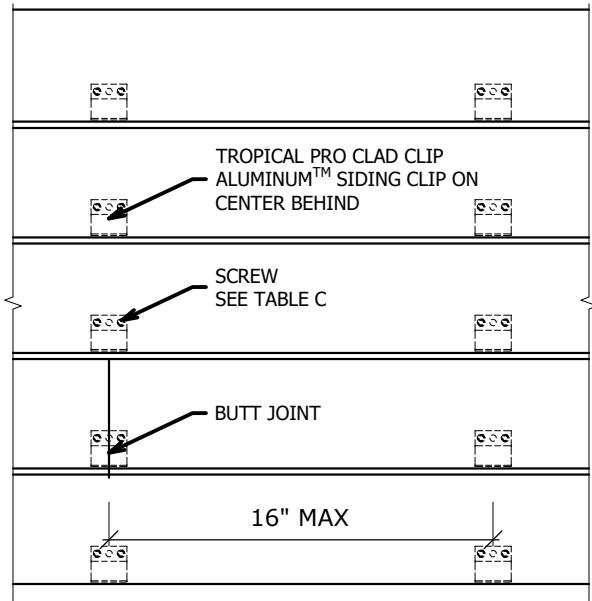
6200 TOMKEN RD, MISSISSAUGA

ON, L5T 1X7. CANADA

Follow us at Instagram: @tropicalforestproducts

TROPICAL

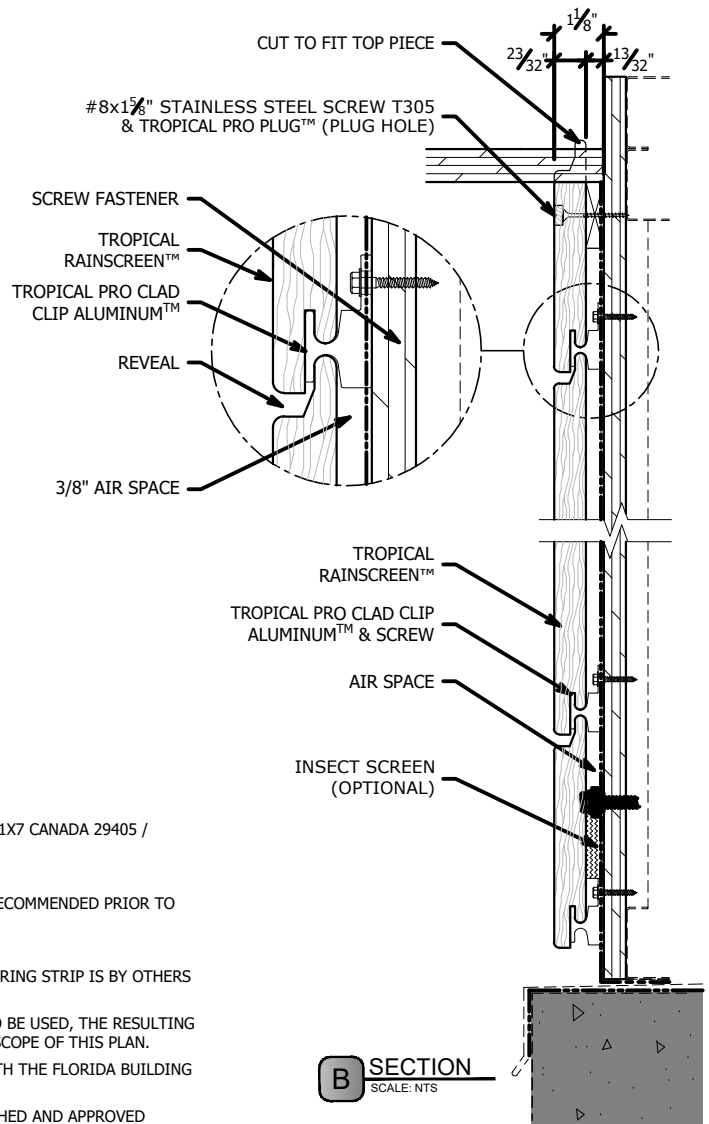
HORIZONTAL APPLICATION: CLAD CLIP ALUMINUM SPECS:



A ELEVATION
SCALE: NTS

NOTES

1. BASIS OF DESIGN - TFP® RAINDCREEN SYSTEM - ADDRESS: 6200 TOMKEN RD, MISSISSAUGA, ON L5T 1X7 CANADA 29405 / PHONE: 905.672.8000
2. TFP® CLADDING - WOOD SPECIES AS DENOTED IN PLANS AND SPECIFICATIONS
3. APPLICATION OF FIRST COAT OF TROPICAL IPE + MARINE OIL TO ALL FACES OF WOOD CLADDING RECOMMENDED PRIOR TO CLADDING INSTALLATION
4. USE #10 X 1.25" 410 STAINLESS STEEL SELF DRILLING FLAT HEAD SCREW SUPPLIED BY TFP
5. IF METAL FURRING STRIPS ARE USED, USE #10 X 3/4" SCREW. ATTACHMENT AND INTEGRITY OF FURRING STRIP IS BY OTHERS AND SHALL MEET ALL IMPOSING LOADS, METAL FURRING MUST BE 18 GA MINIMUM.
6. NOTE: IF A LESSER DIAMETER SCREW OR OTHER THAN MANUFACTURE'S SCREW TYPE IS DESIRED TO BE USED, THE RESULTING PRESSURES AND SPACING WILL CHANGE. THE PERMUTATIONS OF THESE OPTIONS IS OUTSIDE THE SCOPE OF THIS PLAN.
7. ALL WORK SPECIFIED HEREIN HAS BEEN DESIGNED AND SHALL BE FABRICATED IN ACCORDANCE WITH THE FLORIDA BUILDING CODE FIFTH EDITION (2014)
8. ALL MATERIALS USED & FABRICATION METHODS SHALL CONFORM TO THE MANUFACTURER'S PUBLISHED AND APPROVED REQUIREMENTS .
9. ALL FASTENERS TO BE STAINLESS STEEL.



B SECTION
SCALE: NTS

SIDING SIZES	TYPE OF CONNECTION	PANEL/FURRING THICKNESS	CLIP SPACING	CLIP TYPE	SCREWS PER CLIP	SCREW	ALLOWABLE PRESSURE
1" X 8"	CLIP TO WOOD SHEATHING	3/8" - 3/4"	16"	ALUMINUM	2 PCS.	#10 X 1.5	110.0 PSF
1" X 6"	CLIP TO WOOD SHEATHING	3/8" - 3/4"	16"	ALUMINUM	2 PCS.	#10 X 1.5	110.0 PSF
1" x 4"	CLIP TO WOOD SHEATHING	3/8" - 3/4"	16"	ALUMINUM	2 PCS.	#10 X 1.5	110.0 PSF

C RAINDCREEN ATTACHMENT TABLE
SCALE: NTS

THESE GUIDE DETAILS ARE PROVIDED FOR INFORMATION ONLY AND OUTLINE GENERAL/TYPICAL REQUIREMENTS FOR THE ATTACHMENT SYSTEM. PROJECT SPECIFIC ENGINEERING WILL ADDRESS STRUCTURAL ATTACHMENT (i.e. FASTENING PATTERN, ETC.). CONTACT KWS FOR FURTHER DETAILS. ALL IMPLIED WARRANTIES INCLUDING MERCHANTABILITY & FITNESS FOR A PARTICULAR PURPOSE ARE EXPRESSLY EXCLUDED.

TROPICALFORESTPRODUCTS.COM

905.672.8000 or Toll Free 855.344.4500

info@tropicalforestproducts.com

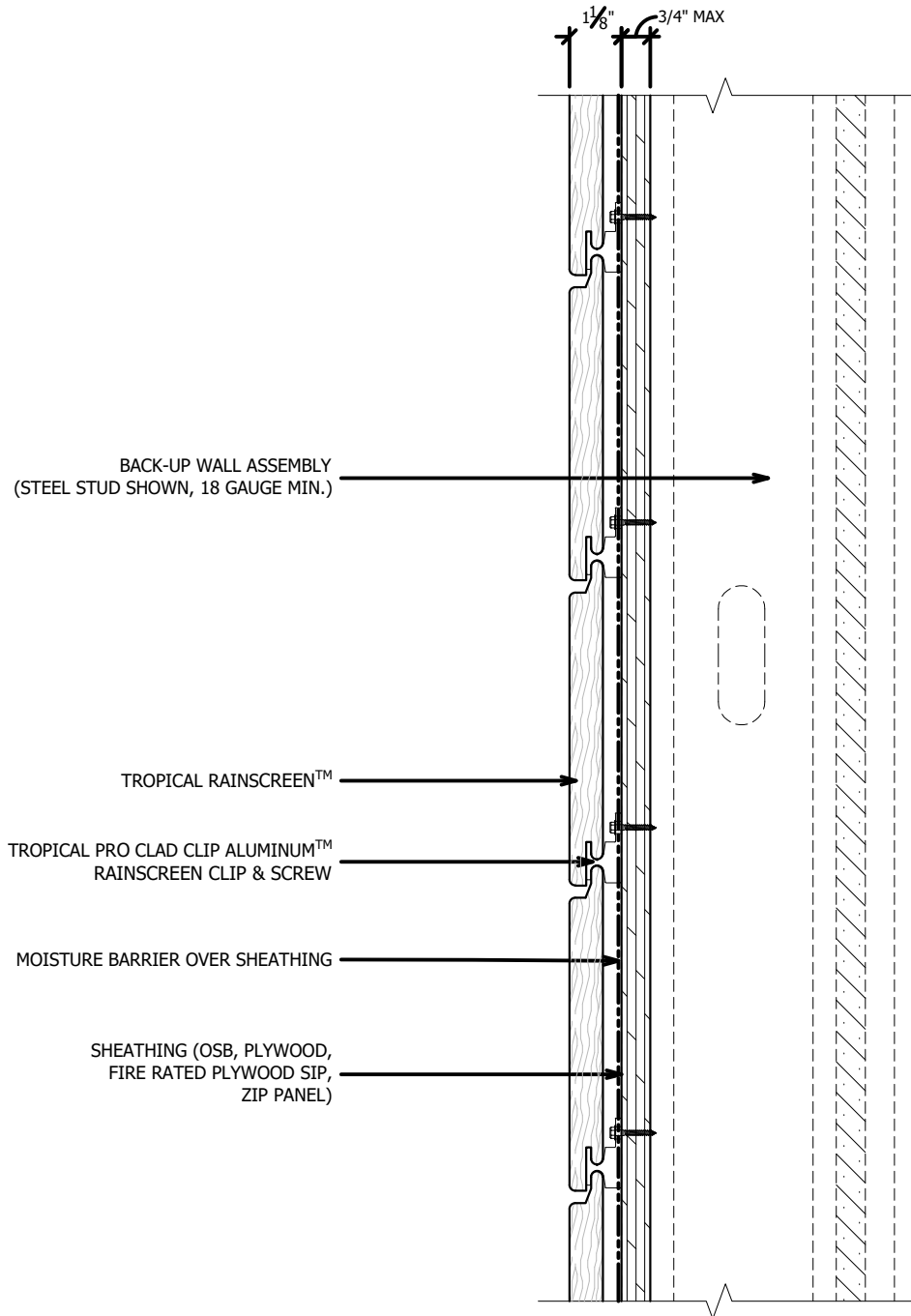
6200 TOMKEN RD, MISSISSAUGA

ON, L5T 1X7. CANADA

Follow us at Instagram: @tropicalforestproducts

TROPICAL

**HORIZONTAL APPLICATION: TYPICAL SECTION VIEW:
SCALE: 3"=1'-0"**



SYSTEM MAY BE INSTALLED OVER STEEL STUDS,
WOOD STUDS, CMU OR CONCRETE SUBSTRATES
(WITH USE OF APPROPRIATE WALL ANCHORS).

*MAXIMUM ALLOWABLE SPACING AND DEAD LOAD (WEIGHT OF CLADDING) IS BASED ON THE TOTAL LOAD (DEAD + LIVE) ACTING ON THE ASSEMBLY, BRACKETS AND CONNECTIONS

THESE GUIDE DETAILS ARE PROVIDED FOR INFORMATION ONLY AND OUTLINE GENERAL/TYPICAL REQUIREMENTS FOR THE ATTACHMENT SYSTEM. PROJECT SPECIFIC ENGINEERING WILL ADDRESS STRUCTURAL ATTACHMENT (i.e. FASTENING PATTERN, ETC.). CONTACT KWS FOR FURTHER DETAILS. ALL IMPLIED WARRANTIES INCLUDING MERCHANTABILITY & FITNESS FOR A PARTICULAR PURPOSE ARE EXPRESSLY EXCLUDED.

TROPICALFORESTPRODUCTS.COM

905.672.8000 or Toll Free 855.344.4500

info@tropicalforestproducts.com

6200 TOMKEN RD, MISSISSAUGA

ON, L5T 1X7. CANADA

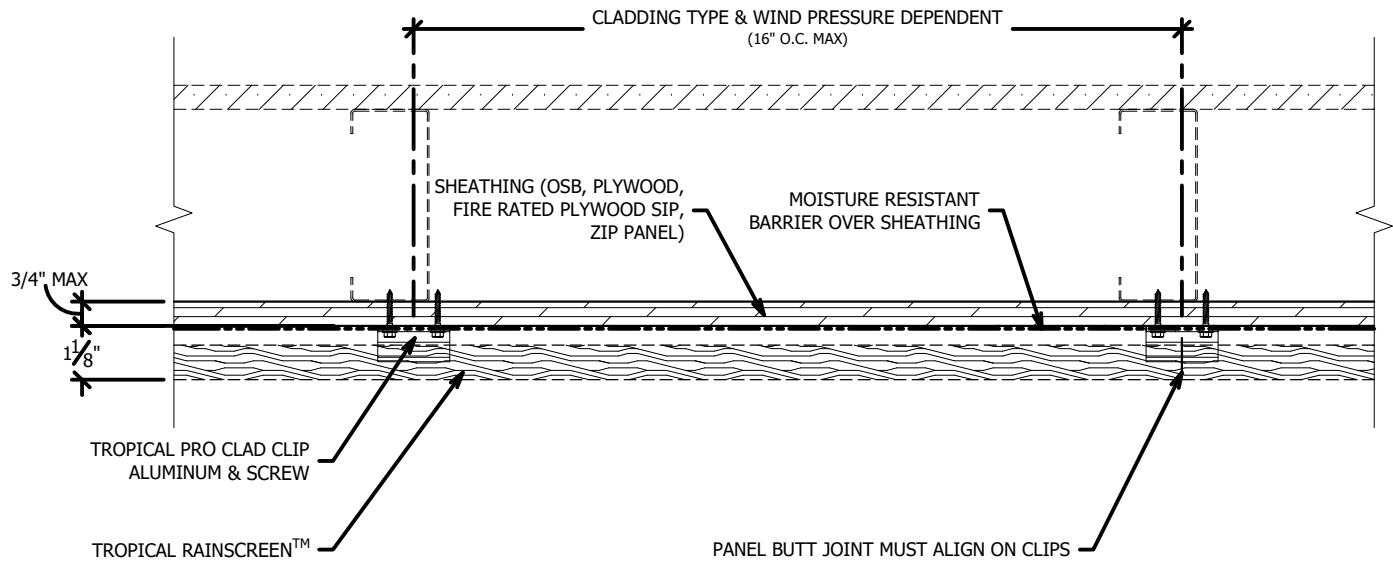
Follow us at Instagram: @tropicalforestproducts

TROPICAL

PAGE: 15 of 56

**HORIZONTAL APPLICATION:
TYPICAL PLAN VIEW:
SCALE: 3"=1'-0"**

SYSTEM MAY BE INSTALLED OVER STEEL STUDS,
WOOD STUDS, CMU OR CONCRETE SUBSTRATES
(WITH USE OF APPROPRIATE WALL ANCHORS).



*MAXIMUM ALLOWABLE SPACING AND DEAD LOAD (WEIGHT OF CLADDING) IS BASED ON THE TOTAL LOAD (DEAD + LIVE) ACTING ON THE ASSEMBLY, BRACKETS AND CONNECTIONS

THESE GUIDE DETAILS ARE PROVIDED FOR INFORMATION ONLY AND OUTLINE GENERAL/TYPICAL REQUIREMENTS FOR THE ATTACHMENT SYSTEM. PROJECT SPECIFIC ENGINEERING WILL ADDRESS STRUCTURAL ATTACHMENT (i.e. FASTENING PATTERN, ETC.). CONTACT KWS FOR FURTHER DETAILS. ALL IMPLIED WARRANTIES INCLUDING MERCHANTABILITY & FITNESS FOR A PARTICULAR PURPOSE ARE EXPRESSLY EXCLUDED.

TROPICALFORESTPRODUCTS.COM

905.672.8000 or Toll Free 855.344.4500

info@tropicalforestproducts.com

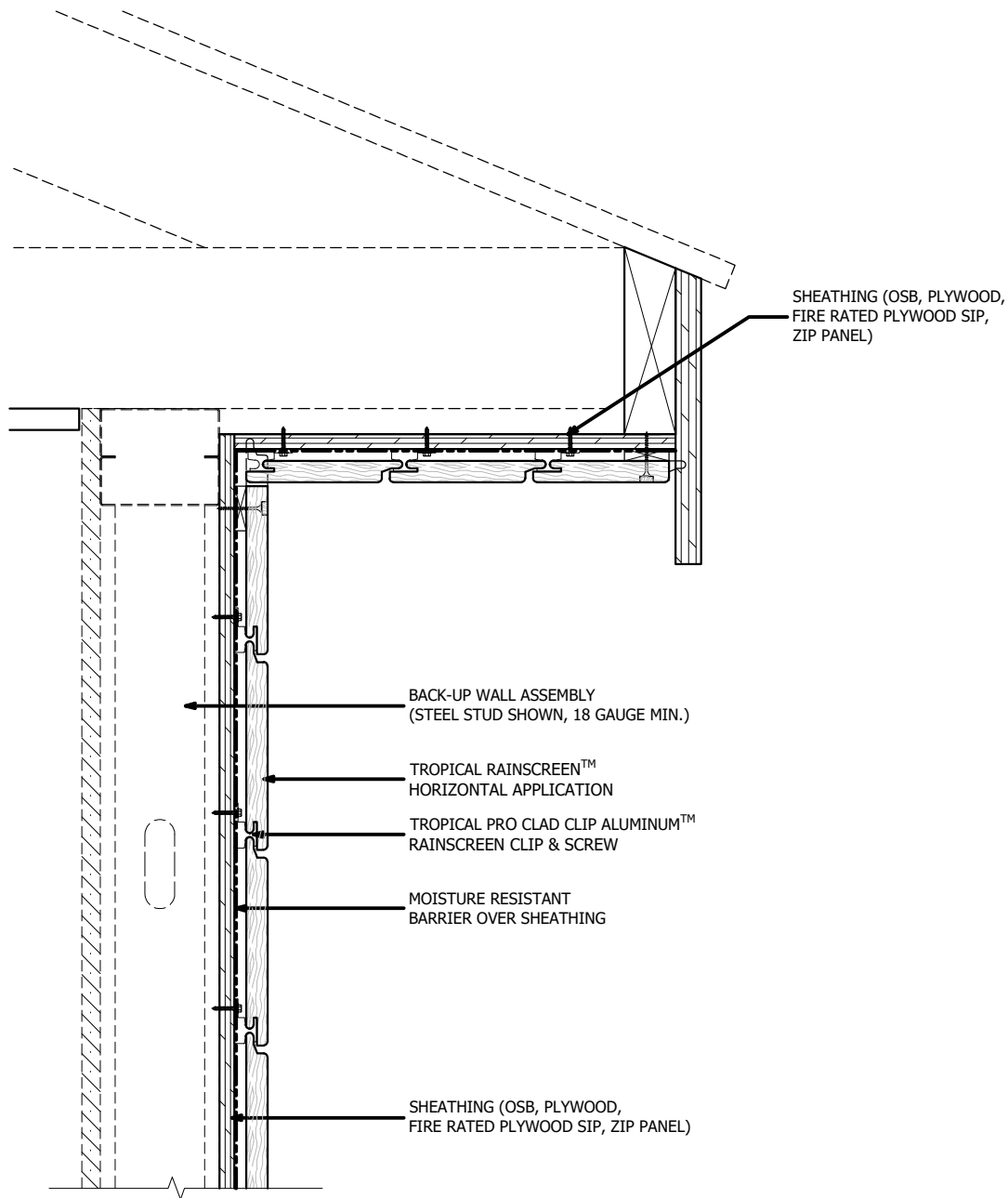
6200 TOMKEN RD, MISSISSAUGA

ON, L5T 1X7. CANADA

Follow us at Instagram: @tropicalforestproducts

TROPICAL

**HORIZONTAL APPLICATION:
TYPICAL SECTION VIEW W/ SOFFIT:
SCALE: 2"=1'-0"**



SYSTEM MAY BE INSTALLED OVER STEEL STUDS,
WOOD STUDS, CMU OR CONCRETE SUBSTRATES
(WITH USE OF APPROPRIATE WALL ANCHORS).

*MAXIMUM ALLOWABLE SPACING AND DEAD LOAD (WEIGHT OF CLADDING) IS BASED ON THE TOTAL LOAD (DEAD + LIVE) ACTING ON THE ASSEMBLY, BRACKETS AND CONNECTIONS

THESE GUIDE DETAILS ARE PROVIDED FOR INFORMATION ONLY AND OUTLINE GENERAL/TYPICAL REQUIREMENTS FOR THE ATTACHMENT SYSTEM. PROJECT SPECIFIC ENGINEERING WILL ADDRESS STRUCTURAL ATTACHMENT (I.E. FASTENING PATTERN, ETC.). CONTACT KWS FOR FURTHER DETAILS. ALL IMPLIED WARRANTIES INCLUDING MERCHANTABILITY & FITNESS FOR A PARTICULAR PURPOSE ARE EXPRESSLY EXCLUDED.

TROPICALFORESTPRODUCTS.COM

905.672.8000 or Toll Free 855.344.4500

info@tropicalforestproducts.com

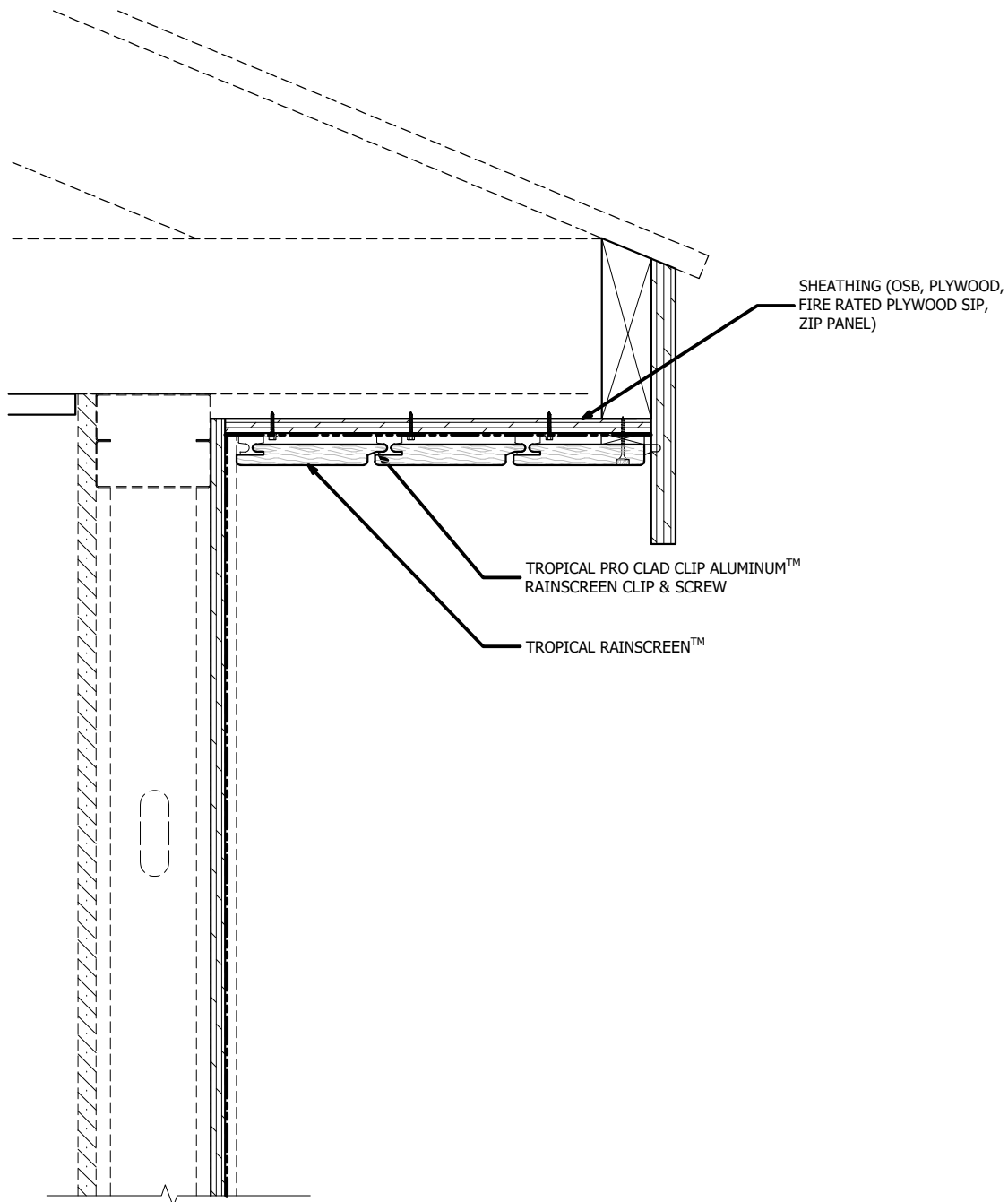
6200 TOMKEN RD, MISSISSAUGA

ON, L5T 1X7. CANADA

Follow us at Instagram: @tropicalforestproducts

TROPICAL

**HORIZONTAL APPLICATION:
TYPICAL SECTION VIEW SOFFIT ONLY:
SCALE: 2"=1'-0"**



SYSTEM MAY BE INSTALLED OVER STEEL STUDS,
WOOD STUDS, CMU OR CONCRETE SUBSTRATES
(WITH USE OF APPROPRIATE WALL ANCHORS).

*MAXIMUM ALLOWABLE SPACING AND DEAD LOAD (WEIGHT OF CLADDING) IS BASED ON THE TOTAL LOAD (DEAD + LIVE) ACTING ON THE ASSEMBLY, BRACKETS AND CONNECTIONS

THESE GUIDE DETAILS ARE PROVIDED FOR INFORMATION ONLY AND OUTLINE GENERAL/TYPICAL REQUIREMENTS FOR THE ATTACHMENT SYSTEM. PROJECT SPECIFIC ENGINEERING WILL ADDRESS STRUCTURAL ATTACHMENT (I.E. FASTENING PATTERN, ETC.). CONTACT KWS FOR FURTHER DETAILS. ALL IMPLIED WARRANTIES INCLUDING MERCHANTABILITY & FITNESS FOR A PARTICULAR PURPOSE ARE EXPRESSLY EXCLUDED.

TROPICALFORESTPRODUCTS.COM

905.672.8000 or Toll Free 855.344.4500

info@tropicalforestproducts.com

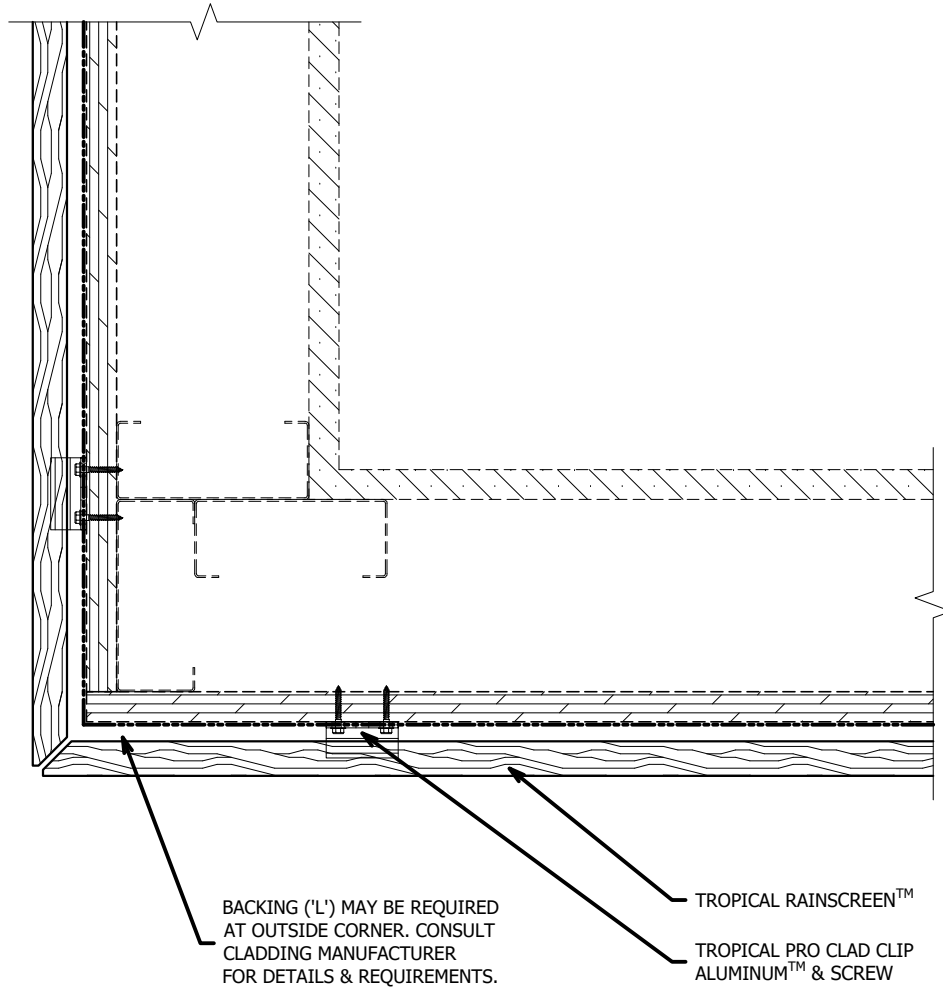
6200 TOMKEN RD, MISSISSAUGA

ON, L5T 1X7. CANADA

Follow us at Instagram: @tropicalforestproducts

TROPICAL

**HORIZONTAL APPLICATION:
TYPICAL OUTSIDE CORNER CONDITION: MITER W/ GAP
SCALE: 3"=1'-0"**



*MAXIMUM ALLOWABLE SPACING AND DEAD LOAD (WEIGHT OF CLADDING) IS BASED ON THE TOTAL LOAD (DEAD + LIVE) ACTING ON THE ASSEMBLY, BRACKETS AND CONNECTIONS

THESE GUIDE DETAILS ARE PROVIDED FOR INFORMATION ONLY AND OUTLINE GENERAL/TYPICAL REQUIREMENTS FOR THE ATTACHMENT SYSTEM. PROJECT SPECIFIC ENGINEERING WILL ADDRESS STRUCTURAL ATTACHMENT (i.e. FASTENING PATTERN, ETC.). CONTACT KWS FOR FURTHER DETAILS. ALL IMPLIED WARRANTIES INCLUDING MERCHANTABILITY & FITNESS FOR A PARTICULAR PURPOSE ARE EXPRESSLY EXCLUDED.

TROPICALFORESTPRODUCTS.COM

905.672.8000 or Toll Free 855.344.4500

info@tropicalforestproducts.com

6200 TOMKEN RD, MISSISSAUGA

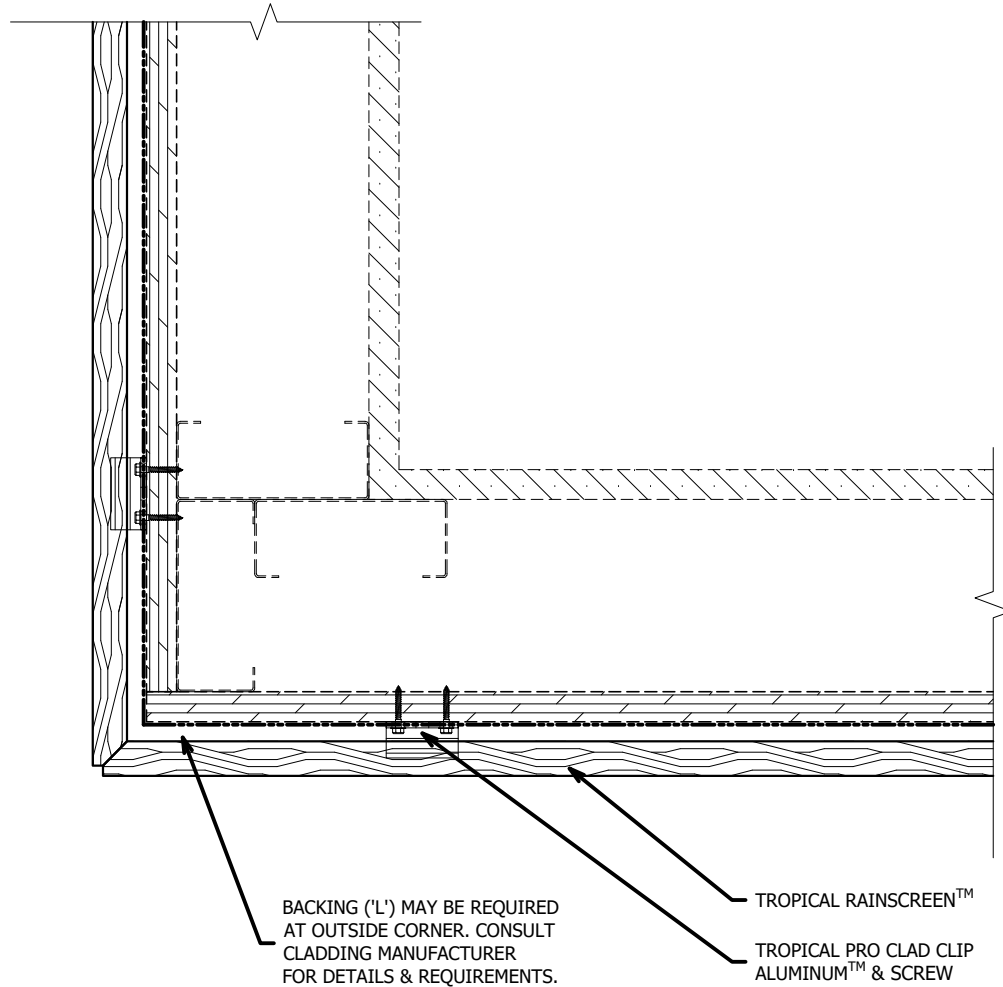
ON, L5T 1X7. CANADA

Follow us at Instagram: @tropicalforestproducts

TROPICAL

PAGE: 19 of 56

**HORIZONTAL APPLICATION:
TYPICAL OUTSIDE CORNER CONDITION: MITER
SCALE: 3"=1'-0"**



*MAXIMUM ALLOWABLE SPACING AND DEAD LOAD (WEIGHT OF CLADDING) IS BASED ON THE TOTAL LOAD (DEAD + LIVE) ACTING ON THE ASSEMBLY, BRACKETS AND CONNECTIONS

THESE GUIDE DETAILS ARE PROVIDED FOR INFORMATION ONLY AND OUTLINE GENERAL/TYPICAL REQUIREMENTS FOR THE ATTACHMENT SYSTEM. PROJECT SPECIFIC ENGINEERING WILL ADDRESS STRUCTURAL ATTACHMENT (i.e. FASTENING PATTERN, ETC.). CONTACT KWS FOR FURTHER DETAILS. ALL IMPLIED WARRANTIES INCLUDING MERCHANTABILITY & FITNESS FOR A PARTICULAR PURPOSE ARE EXPRESSLY EXCLUDED.

TROPICALFORESTPRODUCTS.COM

905.672.8000 or Toll Free 855.344.4500

info@tropicalforestproducts.com

6200 TOMKEN RD, MISSISSAUGA

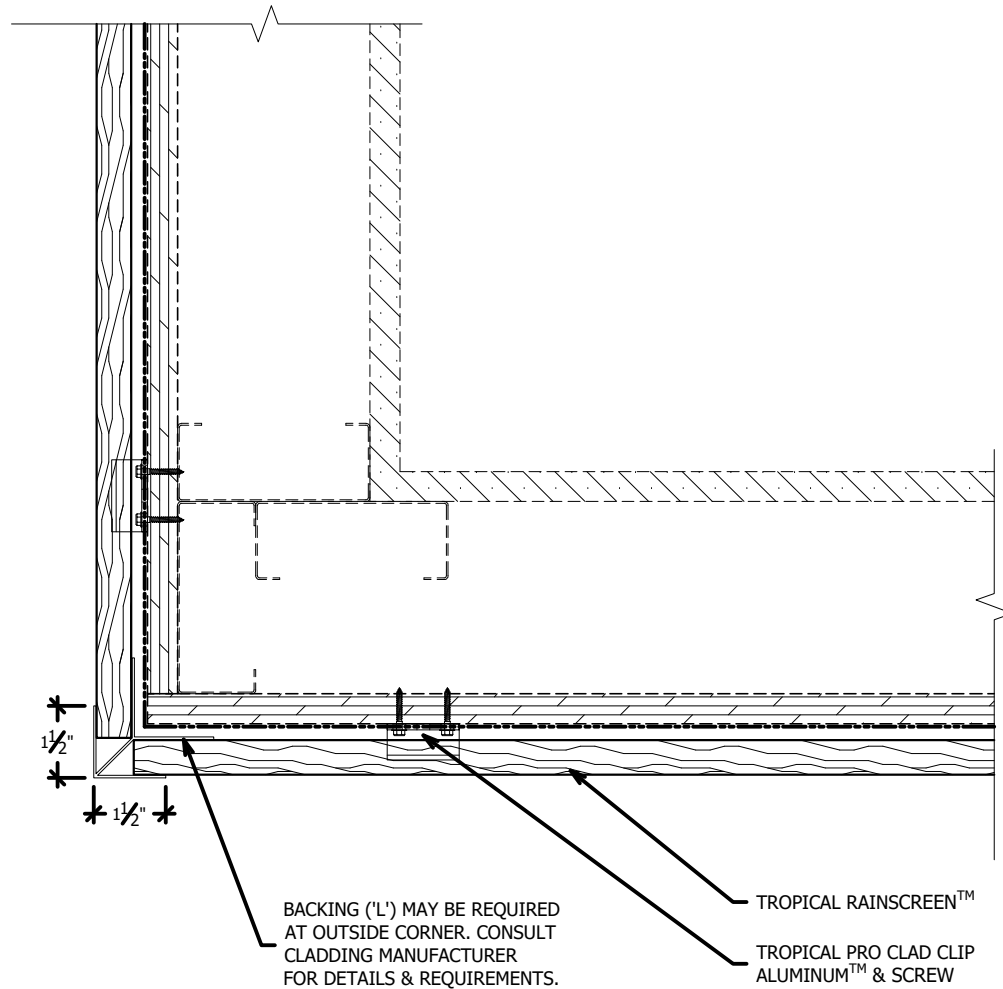
ON, L5T 1X7. CANADA

Follow us at Instagram: @tropicalforestproducts

TROPICAL

PAGE: 20 of 56

**HORIZONTAL APPLICATION:
TYPICAL OUTSIDE CORNER CONDITION: ALUMINUM EXTRUSION
SCALE: 3"=1'-0"**



*MAXIMUM ALLOWABLE SPACING AND DEAD LOAD (WEIGHT OF CLADDING) IS BASED ON THE TOTAL LOAD (DEAD + LIVE) ACTING ON THE ASSEMBLY, BRACKETS AND CONNECTIONS

THESE GUIDE DETAILS ARE PROVIDED FOR INFORMATION ONLY AND OUTLINE GENERAL/TYPICAL REQUIREMENTS FOR THE ATTACHMENT SYSTEM. PROJECT SPECIFIC ENGINEERING WILL ADDRESS STRUCTURAL ATTACHMENT (i.e. FASTENING PATTERN, ETC.). CONTACT KWS FOR FURTHER DETAILS. ALL IMPLIED WARRANTIES INCLUDING MERCHANTABILITY & FITNESS FOR A PARTICULAR PURPOSE ARE EXPRESSLY EXCLUDED.

TROPICALFORESTPRODUCTS.COM

905.672.8000 or Toll Free 855.344.4500

info@tropicalforestproducts.com

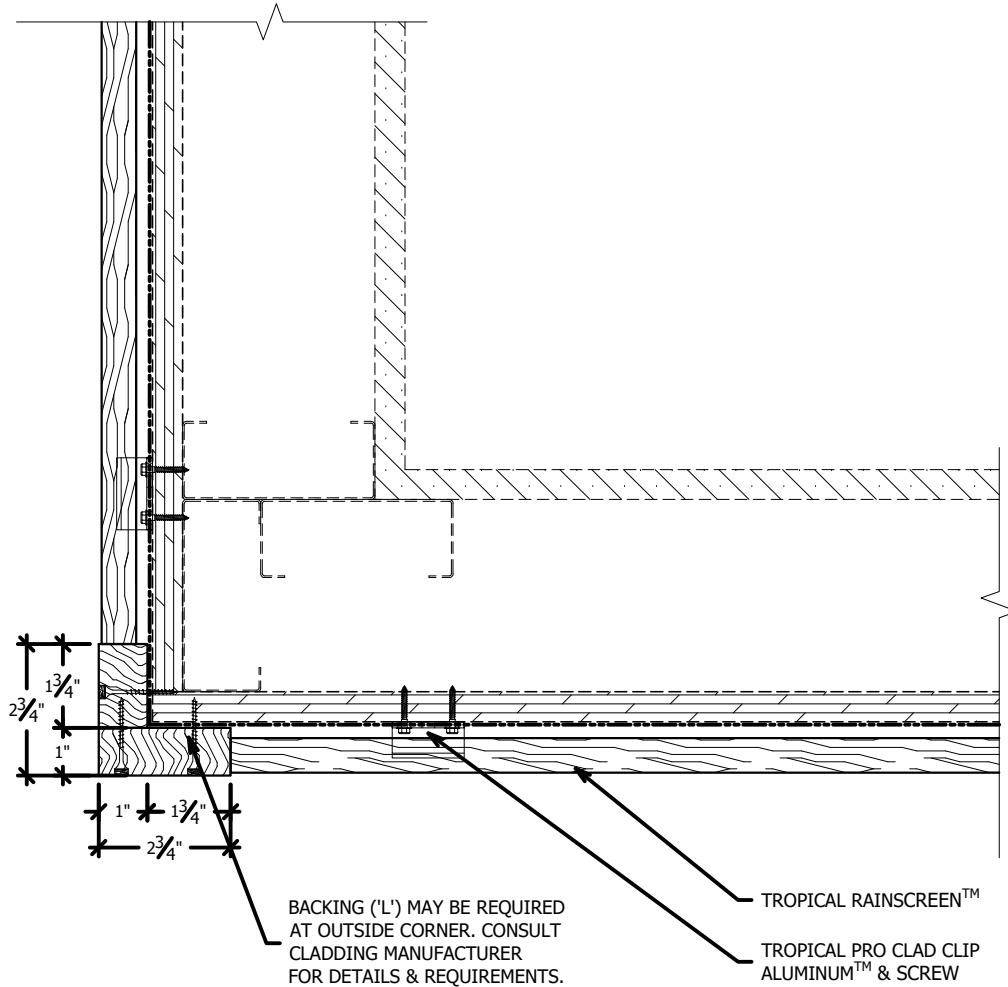
6200 TOMKEN RD, MISSISSAUGA

ON, L5T 1X7. CANADA

Follow us at Instagram: @tropicalforestproducts

TROPICAL

**HORIZONTAL APPLICATION:
TYPICAL OUTSIDE CORNER CONDITION: FLUSH WOOD
SCALE: 3"=1'-0"**



*MAXIMUM ALLOWABLE SPACING AND DEAD LOAD (WEIGHT OF CLADDING) IS BASED ON THE TOTAL LOAD (DEAD + LIVE) ACTING ON THE ASSEMBLY, BRACKETS AND CONNECTIONS

THESE GUIDE DETAILS ARE PROVIDED FOR INFORMATION ONLY AND OUTLINE GENERAL/TYPICAL REQUIREMENTS FOR THE ATTACHMENT SYSTEM. PROJECT SPECIFIC ENGINEERING WILL ADDRESS STRUCTURAL ATTACHMENT (i.e. FASTENING PATTERN, ETC.). CONTACT KWS FOR FURTHER DETAILS. ALL IMPLIED WARRANTIES INCLUDING MERCHANTABILITY & FITNESS FOR A PARTICULAR PURPOSE ARE EXPRESSLY EXCLUDED.

TROPICALFORESTPRODUCTS.COM

905.672.8000 or Toll Free 855.344.4500

info@tropicalforestproducts.com

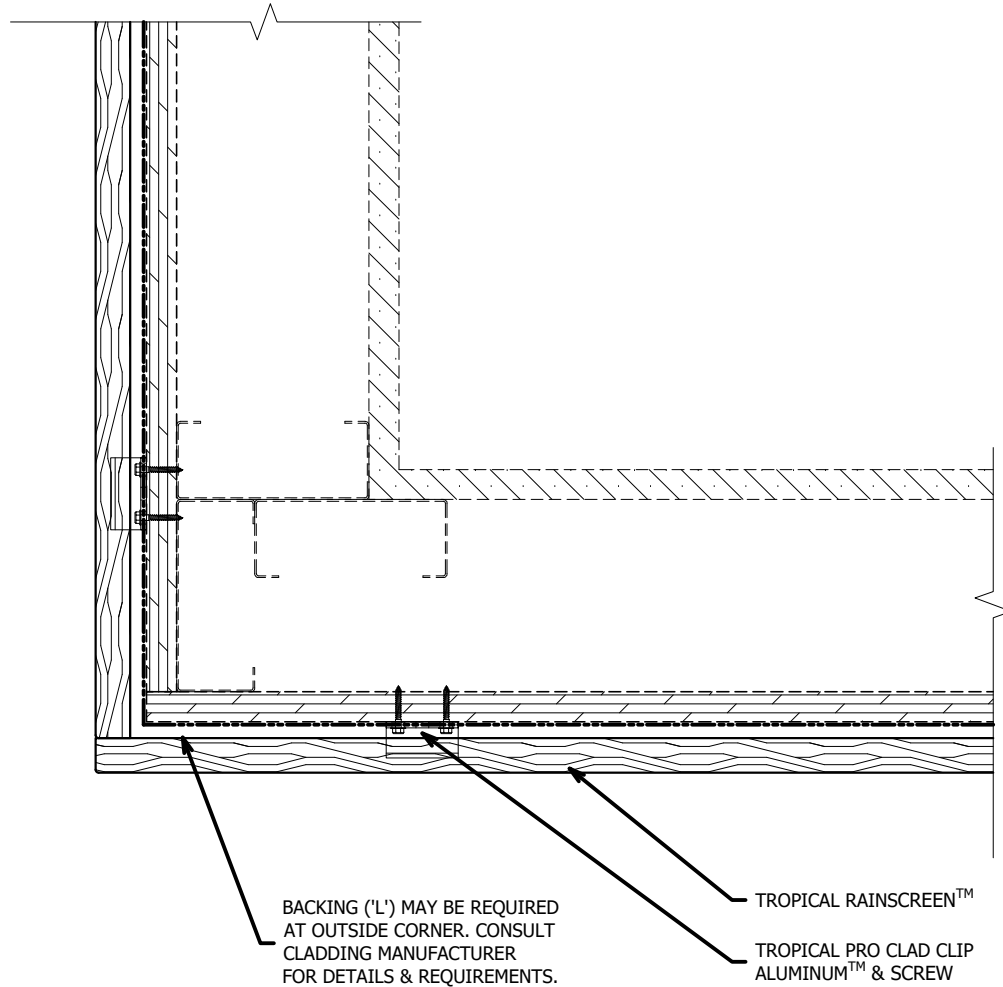
6200 TOMKEN RD, MISSISSAUGA

ON, L5T 1X7. CANADA

Follow us at Instagram: @tropicalforestproducts

TROPICAL

**HORIZONTAL APPLICATION:
TYPICAL OUTSIDE CORNER CONDITION: BUTT JOINT
SCALE: 3"=1'-0"**



*MAXIMUM ALLOWABLE SPACING AND DEAD LOAD (WEIGHT OF CLADDING) IS BASED ON THE TOTAL LOAD (DEAD + LIVE) ACTING ON THE ASSEMBLY, BRACKETS AND CONNECTIONS

THESE GUIDE DETAILS ARE PROVIDED FOR INFORMATION ONLY AND OUTLINE GENERAL/TYPICAL REQUIREMENTS FOR THE ATTACHMENT SYSTEM. PROJECT SPECIFIC ENGINEERING WILL ADDRESS STRUCTURAL ATTACHMENT (i.e. FASTENING PATTERN, ETC.). CONTACT KWS FOR FURTHER DETAILS. ALL IMPLIED WARRANTIES INCLUDING MERCHANTABILITY & FITNESS FOR A PARTICULAR PURPOSE ARE EXPRESSLY EXCLUDED.

TROPICALFORESTPRODUCTS.COM

905.672.8000 or Toll Free 855.344.4500

info@tropicalforestproducts.com

6200 TOMKEN RD, MISSISSAUGA

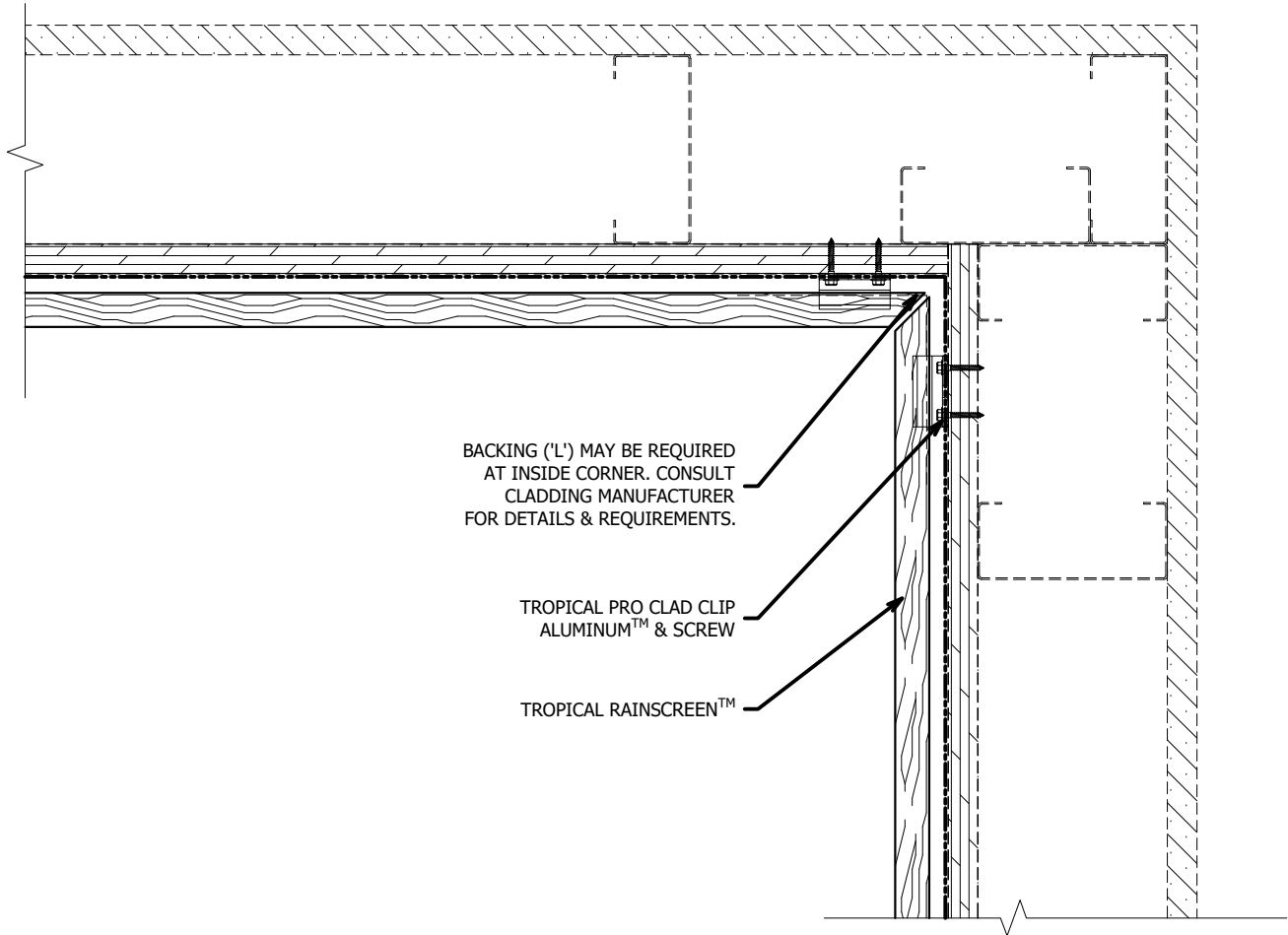
ON, L5T 1X7. CANADA

Follow us at Instagram: @tropicalforestproducts

TROPICAL

PAGE: 23 of 56

**HORIZONTAL APPLICATION:
TYPICAL INSIDE CORNER CONDITION: MITER W/ GAP
SCALE: 3"=1'-0"**



*MAXIMUM ALLOWABLE SPACING AND DEAD LOAD (WEIGHT OF CLADDING) IS BASED ON THE TOTAL LOAD (DEAD + LIVE) ACTING ON THE ASSEMBLY, BRACKETS AND CONNECTIONS

THESE GUIDE DETAILS ARE PROVIDED FOR INFORMATION ONLY AND OUTLINE GENERAL/TYPICAL REQUIREMENTS FOR THE ATTACHMENT SYSTEM. PROJECT SPECIFIC ENGINEERING WILL ADDRESS STRUCTURAL ATTACHMENT (i.e. FASTENING PATTERN, ETC.). CONTACT KWS FOR FURTHER DETAILS. ALL IMPLIED WARRANTIES INCLUDING MERCHANTABILITY & FITNESS FOR A PARTICULAR PURPOSE ARE EXPRESSLY EXCLUDED.

TROPICALFORESTPRODUCTS.COM

905.672.8000 or Toll Free 855.344.4500

info@tropicalforestproducts.com

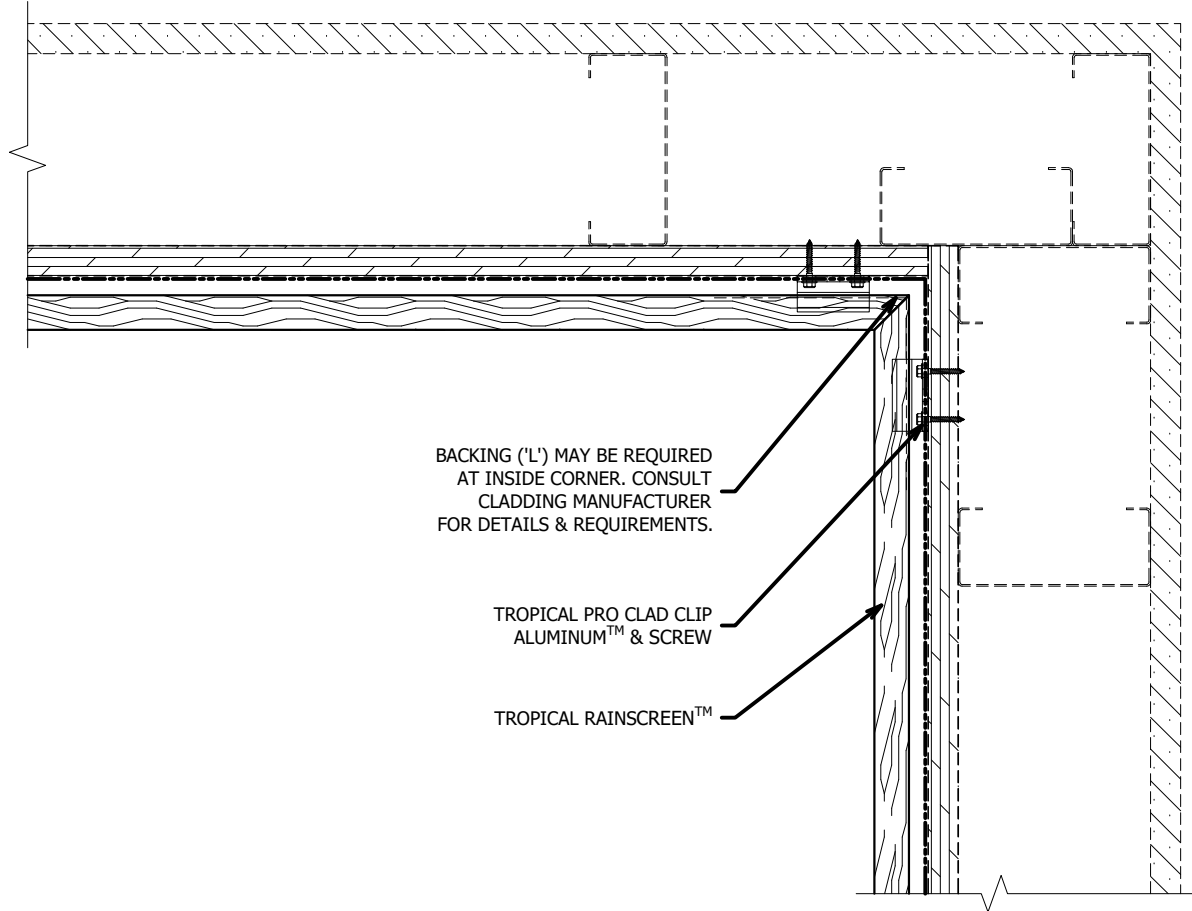
6200 TOMKEN RD, MISSISSAUGA

ON, L5T 1X7. CANADA

Follow us at Instagram: @tropicalforestproducts

TROPICAL

**HORIZONTAL APPLICATION:
TYPICAL INSIDE CORNER CONDITION: MITER
SCALE: 3"=1'-0"**



*MAXIMUM ALLOWABLE SPACING AND DEAD LOAD (WEIGHT OF CLADDING) IS BASED ON THE TOTAL LOAD (DEAD + LIVE) ACTING ON THE ASSEMBLY, BRACKETS AND CONNECTIONS

THESE GUIDE DETAILS ARE PROVIDED FOR INFORMATION ONLY AND OUTLINE GENERAL/TYPICAL REQUIREMENTS FOR THE ATTACHMENT SYSTEM. PROJECT SPECIFIC ENGINEERING WILL ADDRESS STRUCTURAL ATTACHMENT (i.e. FASTENING PATTERN, ETC.). CONTACT KWS FOR FURTHER DETAILS. ALL IMPLIED WARRANTIES INCLUDING MERCHANTABILITY & FITNESS FOR A PARTICULAR PURPOSE ARE EXPRESSLY EXCLUDED.

TROPICALFORESTPRODUCTS.COM

905.672.8000 or Toll Free 855.344.4500

info@tropicalforestproducts.com

6200 TOMKEN RD, MISSISSAUGA

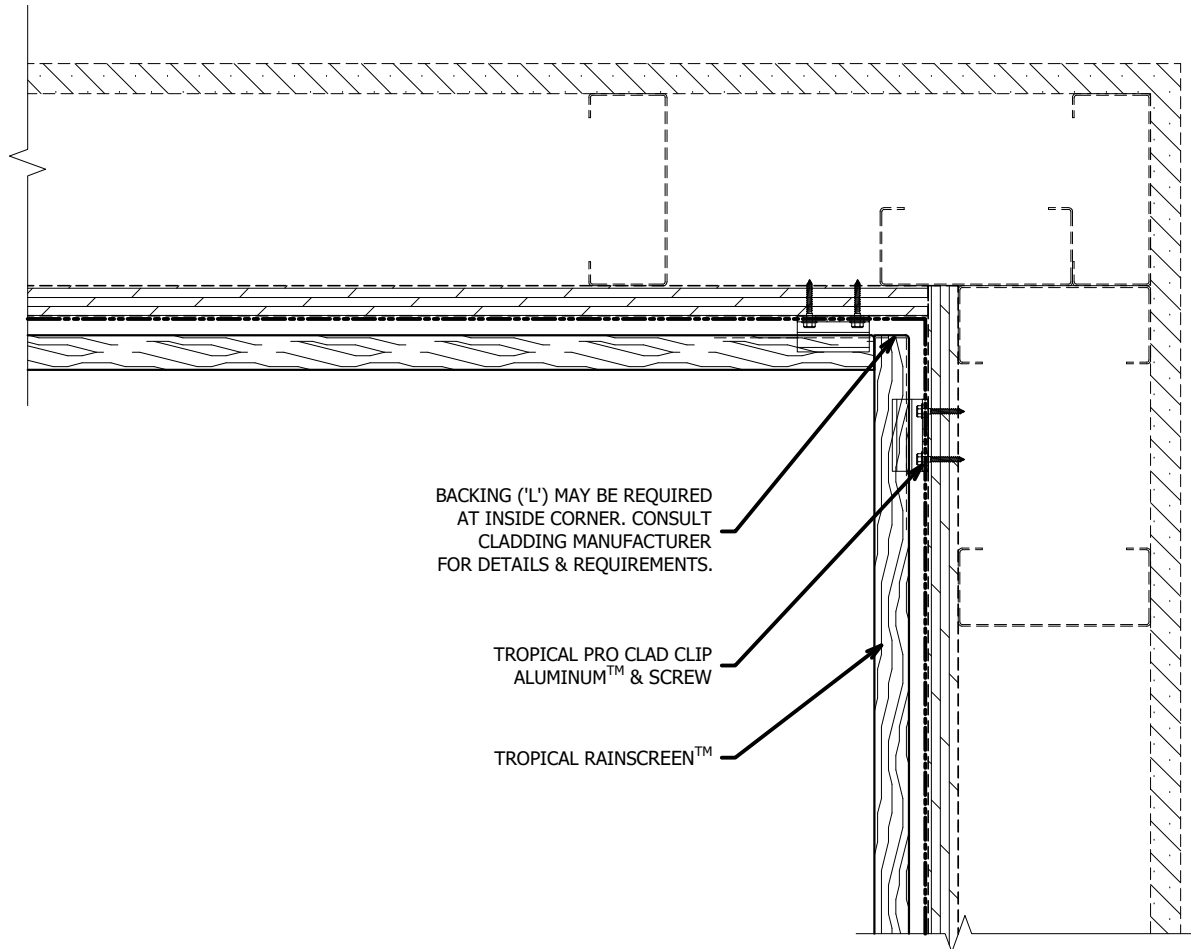
ON, L5T 1X7. CANADA

Follow us at Instagram: @tropicalforestproducts

TROPICAL

PAGE: 25 of 56

**HORIZONTAL APPLICATION:
TYPICAL INSIDE CORNER CONDITION: BUTT JOINT
SCALE: 3"=1'-0"**



*MAXIMUM ALLOWABLE SPACING AND DEAD LOAD (WEIGHT OF CLADDING) IS BASED ON THE TOTAL LOAD (DEAD + LIVE) ACTING ON THE ASSEMBLY, BRACKETS AND CONNECTIONS

THESE GUIDE DETAILS ARE PROVIDED FOR INFORMATION ONLY AND OUTLINE GENERAL/TYPICAL REQUIREMENTS FOR THE ATTACHMENT SYSTEM. PROJECT SPECIFIC ENGINEERING WILL ADDRESS STRUCTURAL ATTACHMENT (i.e. FASTENING PATTERN, ETC.). CONTACT KWS FOR FURTHER DETAILS. ALL IMPLIED WARRANTIES INCLUDING MERCHANTABILITY & FITNESS FOR A PARTICULAR PURPOSE ARE EXPRESSLY EXCLUDED.

TROPICALFORESTPRODUCTS.COM

905.672.8000 or Toll Free 855.344.4500

info@tropicalforestproducts.com

6200 TOMKEN RD, MISSISSAUGA

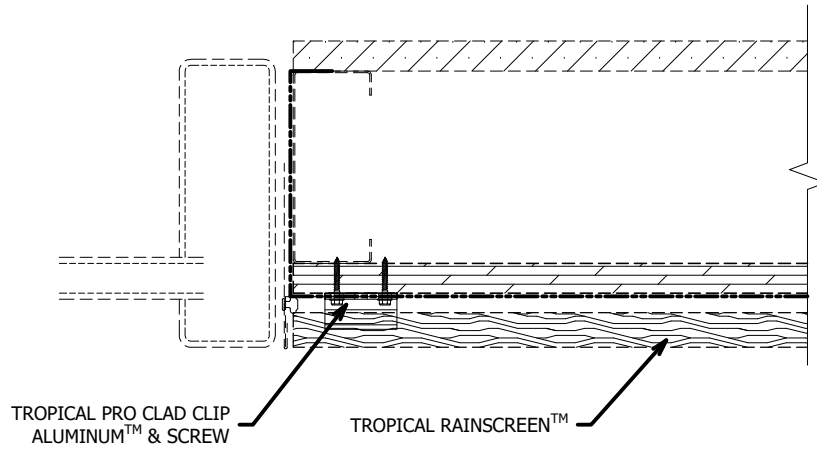
ON, L5T 1X7. CANADA

Follow us at Instagram: @tropicalforestproducts

TROPICAL

PAGE: 26 of 56

**HORIZONTAL APPLICATION:
TYPICAL JAMB CONDITION
SCALE: 3"=1'-0"**



*MAXIMUM ALLOWABLE SPACING AND DEAD LOAD (WEIGHT OF CLADDING) IS BASED ON THE TOTAL LOAD (DEAD + LIVE) ACTING ON THE ASSEMBLY, BRACKETS AND CONNECTIONS

THESE GUIDE DETAILS ARE PROVIDED FOR INFORMATION ONLY AND OUTLINE GENERAL/TYPICAL REQUIREMENTS FOR THE ATTACHMENT SYSTEM. PROJECT SPECIFIC ENGINEERING WILL ADDRESS STRUCTURAL ATTACHMENT (i.e. FASTENING PATTERN, ETC.). CONTACT KWS FOR FURTHER DETAILS. ALL IMPLIED WARRANTIES INCLUDING MERCHANTABILITY & FITNESS FOR A PARTICULAR PURPOSE ARE EXPRESSLY EXCLUDED.

TROPICALFORESTPRODUCTS.COM

905.672.8000 or Toll Free 855.344.4500

info@tropicalforestproducts.com

6200 TOMKEN RD, MISSISSAUGA

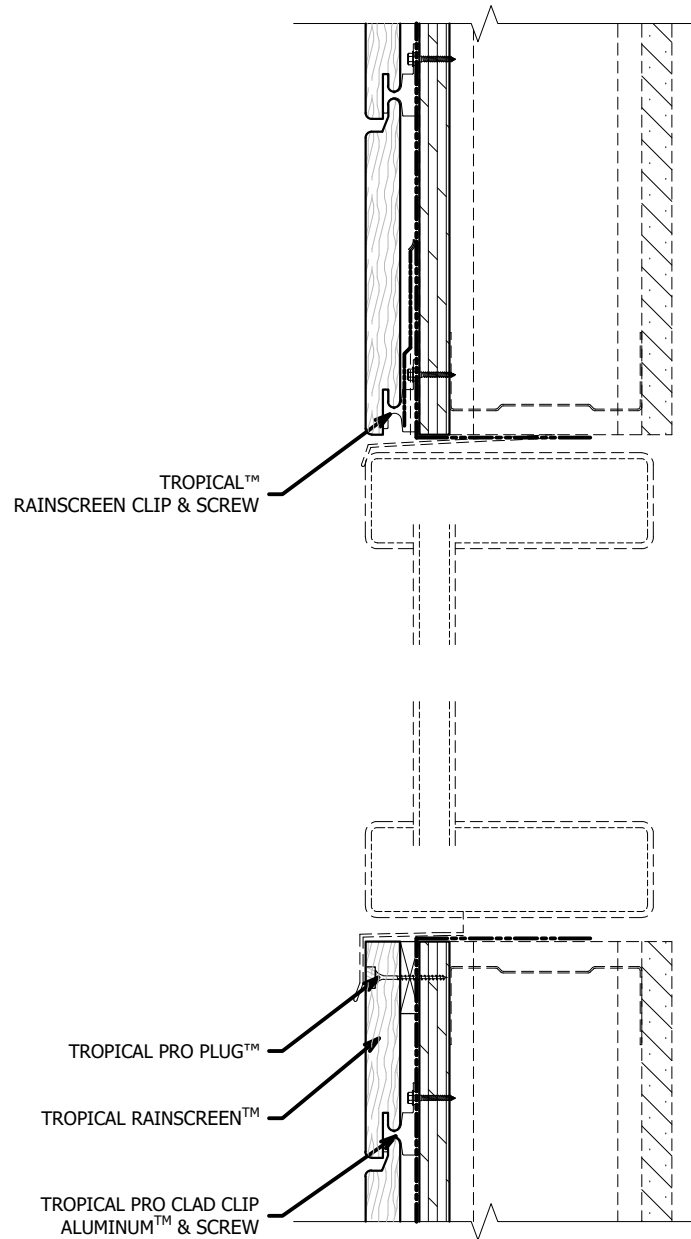
ON, L5T 1X7. CANADA

Follow us at Instagram: @tropicalforestproducts

TROPICAL

PAGE: 27 of 56

**HORIZONTAL APPLICATION:
TYPICAL HEAD & SILL CONDITION
SCALE: 3"=1'-0"**



* FLASHING DETAILS VARY BASED ON WINDOW TYPE,
POSITION (INSET VS FLUSH) AND CLADDING TYPE.
FLASHING IS NOT BY KWS.

*MAXIMUM ALLOWABLE SPACING AND DEAD LOAD (WEIGHT OF CLADDING) IS BASED ON THE TOTAL LOAD (DEAD + LIVE) ACTING ON THE ASSEMBLY, BRACKETS AND CONNECTIONS

THESE GUIDE DETAILS ARE PROVIDED FOR INFORMATION ONLY AND OUTLINE GENERAL/TYPICAL REQUIREMENTS FOR THE ATTACHMENT SYSTEM. PROJECT SPECIFIC ENGINEERING WILL ADDRESS STRUCTURAL ATTACHMENT (i.e. FASTENING PATTERN, ETC.). CONTACT KWS FOR FURTHER DETAILS. ALL IMPLIED WARRANTIES INCLUDING MERCHANTABILITY & FITNESS FOR A PARTICULAR PURPOSE ARE EXPRESSLY EXCLUDED.

TROPICALFORESTPRODUCTS.COM

905.672.8000 or Toll Free 855.344.4500

info@tropicalforestproducts.com

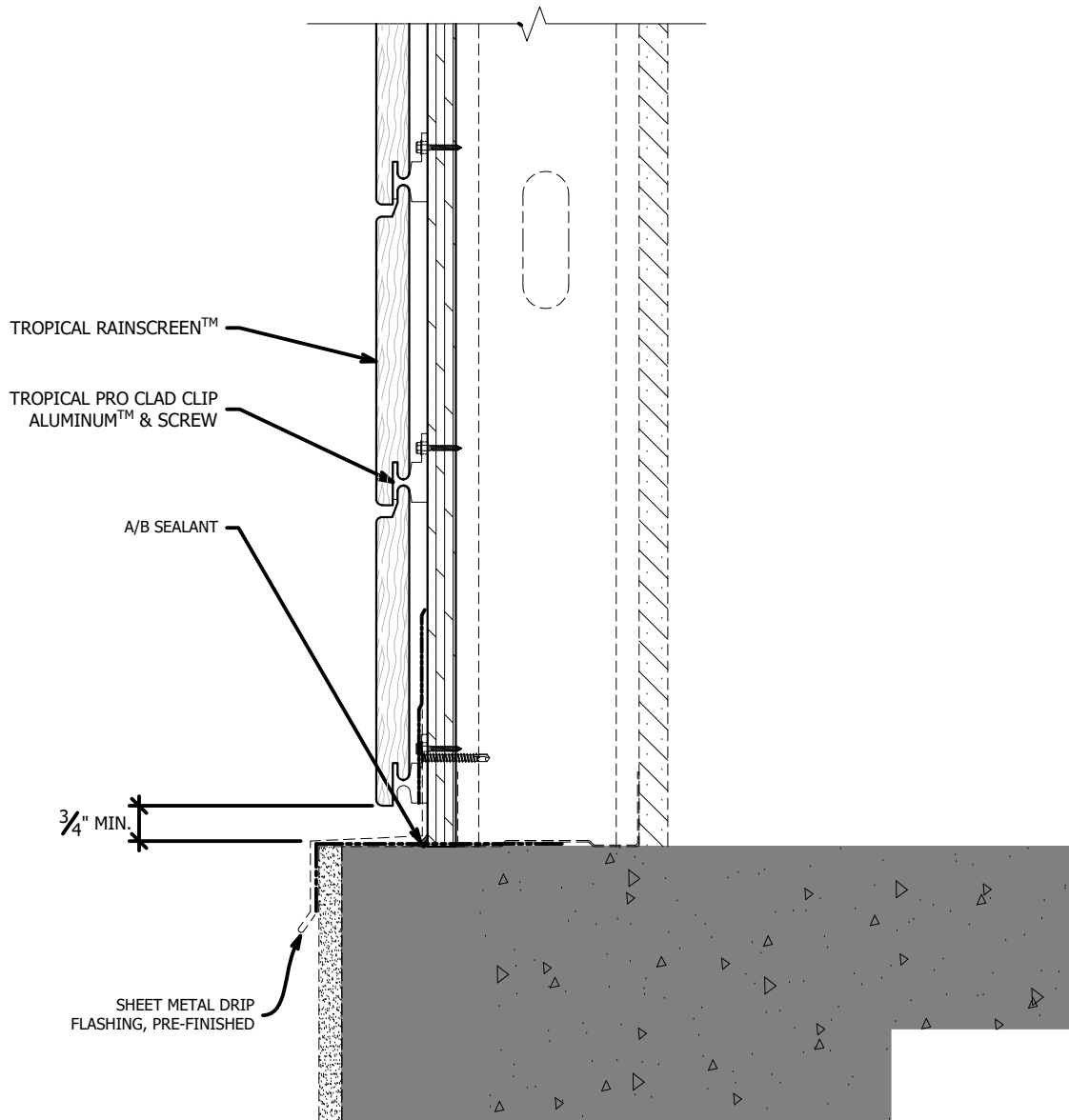
6200 TOMKEN RD, MISSISSAUGA

ON, L5T 1X7. CANADA

Follow us at Instagram: @tropicalforestproducts

TROPICAL

**HORIZONTAL APPLICATION:
TYPICAL BASE OF WALL CONDITION
SCALE: 3"=1'-0"**



* CLEAR & UNRESTRICTED VENTILATION & DRAINAGE
REQUIRED AT BASE OF WALL

*MAXIMUM ALLOWABLE SPACING AND DEAD LOAD (WEIGHT OF CLADDING) IS BASED ON THE TOTAL LOAD (DEAD + LIVE) ACTING ON THE ASSEMBLY, BRACKETS AND CONNECTIONS

THESE GUIDE DETAILS ARE PROVIDED FOR INFORMATION ONLY AND OUTLINE GENERAL/TYPICAL REQUIREMENTS FOR THE ATTACHMENT SYSTEM. PROJECT SPECIFIC ENGINEERING WILL ADDRESS STRUCTURAL ATTACHMENT (i.e. FASTENING PATTERN, ETC.). CONTACT KWS FOR FURTHER DETAILS. ALL IMPLIED WARRANTIES INCLUDING MERCHANTABILITY & FITNESS FOR A PARTICULAR PURPOSE ARE EXPRESSLY EXCLUDED.

TROPICALFORESTPRODUCTS.COM

905.672.8000 or Toll Free 855.344.4500

info@tropicalforestproducts.com

6200 TOMKEN RD, MISSISSAUGA

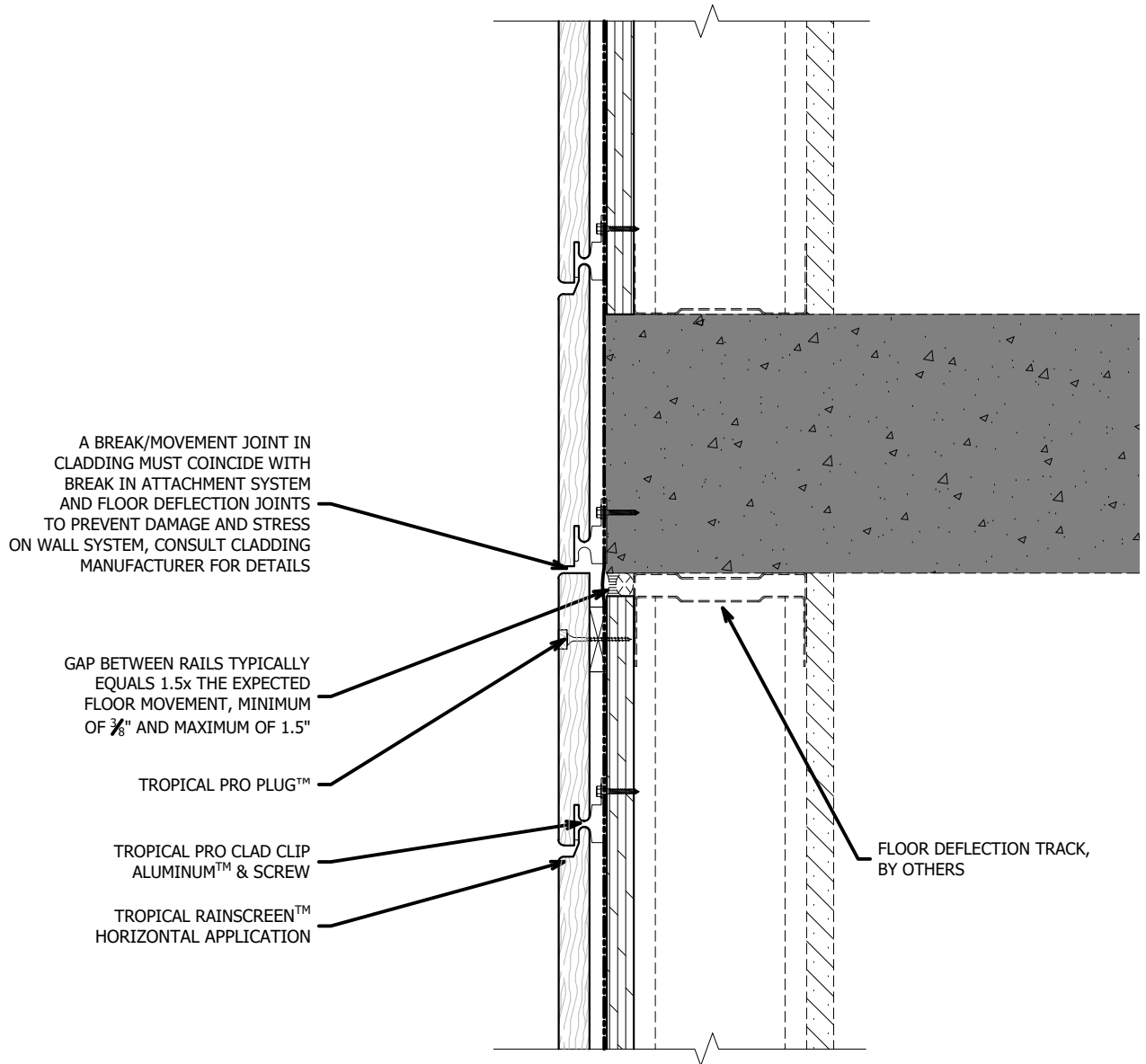
ON, L5T 1X7. CANADA

Follow us at Instagram: @tropicalforestproducts

TROPICAL

PAGE: 29 of 56

**HORIZONTAL APPLICATION:
TYPICAL FLOOR DEFLECTION JOINT
SCALE: 3"=1'-0"**



*MAXIMUM ALLOWABLE SPACING AND DEAD LOAD (WEIGHT OF CLADDING) IS BASED ON THE TOTAL LOAD (DEAD + LIVE) ACTING ON THE ASSEMBLY, BRACKETS AND CONNECTIONS

THESE GUIDE DETAILS ARE PROVIDED FOR INFORMATION ONLY AND OUTLINE GENERAL/TYPICAL REQUIREMENTS FOR THE ATTACHMENT SYSTEM. PROJECT SPECIFIC ENGINEERING WILL ADDRESS STRUCTURAL ATTACHMENT (i.e. FASTENING PATTERN, ETC.). CONTACT KWS FOR FURTHER DETAILS. ALL IMPLIED WARRANTIES INCLUDING MERCHANTABILITY & FITNESS FOR A PARTICULAR PURPOSE ARE EXPRESSLY EXCLUDED.

TROPICALFORESTPRODUCTS.COM

905.672.8000 or Toll Free 855.344.4500

info@tropicalforestproducts.com

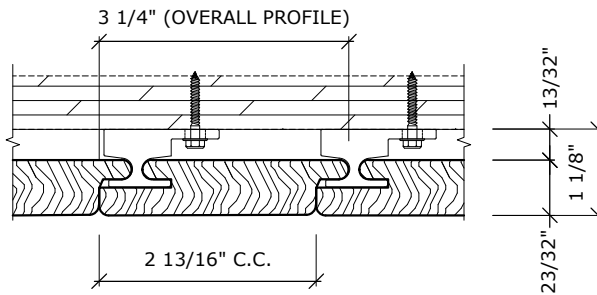
6200 TOMKEN RD, MISSISSAUGA

ON, L5T 1X7. CANADA

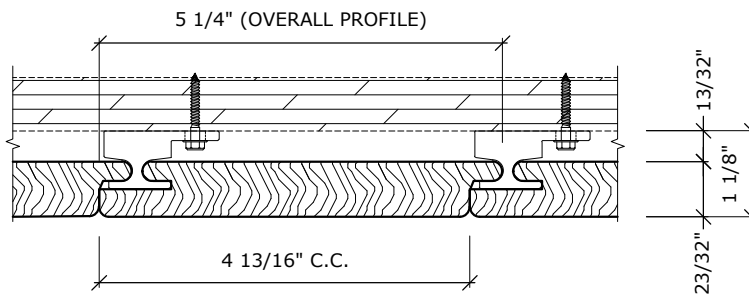
Follow us at Instagram: @tropicalforestproducts

TROPICAL

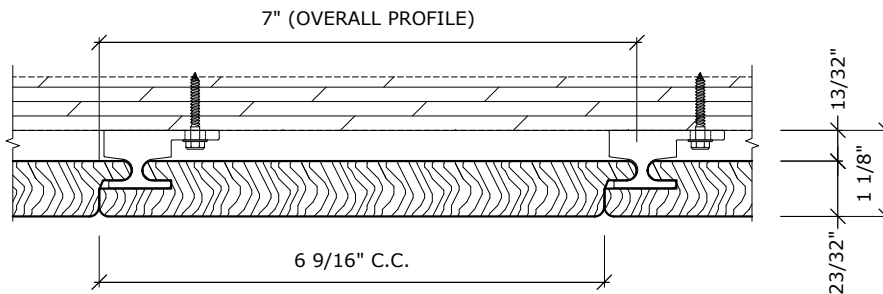
**VERTICAL APPLICATION:
LAYUP DIMENSIONS: 1" WITH NO REVEAL
SCALE: NTS**



A TROPICAL PRO CLAD CLIP ALUMINUM w/ 1" X 4" NO REVEAL RAINSCREEN
SCALE: NTS



B TROPICAL PRO CLAD CLIP ALUMINUM w/ 1" X 6" NO REVEAL RAINSCREEN
SCALE: NTS



C TROPICAL PRO CLAD CLIP ALUMINUM w/ 1" X 8" NO REVEAL RAINSCREEN
SCALE: NTS

THESE GUIDE DETAILS ARE PROVIDED FOR INFORMATION ONLY AND OUTLINE GENERAL/TYPICAL REQUIREMENTS FOR THE ATTACHMENT SYSTEM. PROJECT SPECIFIC ENGINEERING WILL ADDRESS STRUCTURAL ATTACHMENT (I.E. FASTENING PATTERN, ETC.). CONTACT KWS FOR FURTHER DETAILS. ALL IMPLIED WARRANTIES INCLUDING MERCHANTABILITY & FITNESS FOR A PARTICULAR PURPOSE ARE EXPRESSLY EXCLUDED.

TROPICALFORESTPRODUCTS.COM

905.672.8000 or Toll Free 855.344.4500

info@tropicalforestproducts.com

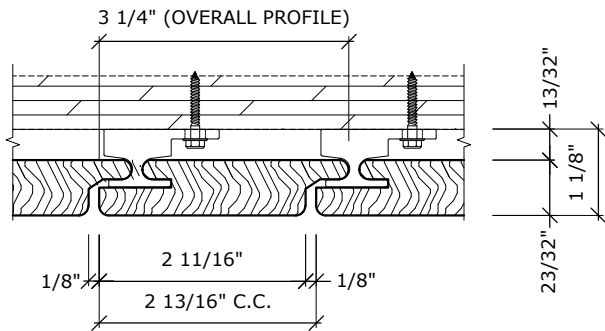
6200 TOMKEN RD, MISSISSAUGA

ON, L5T 1X7. CANADA

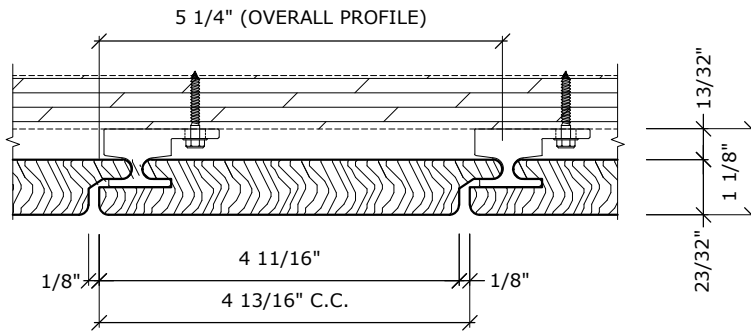
Follow us at Instagram: @tropicalforestproducts

TROPICAL

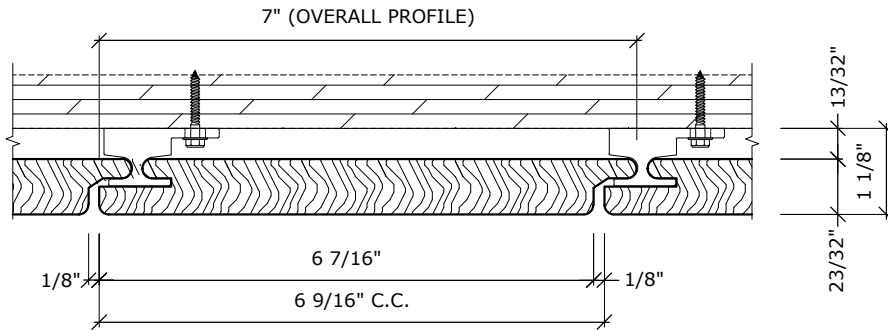
**VERTICAL APPLICATION:
LAYUP DIMENSIONS: 1" WITH 1/8" REVEAL
SCALE: NTS**



A TROPICAL PRO CLAD CLIP ALUMINUM w/ 1" X 4" 1/8 REVEAL RAINSCREEN
SCALE: NTS



B TROPICAL PRO CLAD CLIP ALUMINUM w/ 1" X 6" 1/8 REVEAL RAINSCREEN
SCALE: NTS



C TROPICAL PRO CLAD CLIP ALUMINUM w/ 1" X 8" 1/8 REVEAL RAINSCREEN
SCALE: NTS

THESE GUIDE DETAILS ARE PROVIDED FOR INFORMATION ONLY AND OUTLINE GENERAL/TYPICAL REQUIREMENTS FOR THE ATTACHMENT SYSTEM. PROJECT SPECIFIC ENGINEERING WILL ADDRESS STRUCTURAL ATTACHMENT (I.E. FASTENING PATTERN, ETC.). CONTACT KWS FOR FURTHER DETAILS. ALL IMPLIED WARRANTIES INCLUDING MERCHANTABILITY & FITNESS FOR A PARTICULAR PURPOSE ARE EXPRESSLY EXCLUDED.

TROPICALFORESTPRODUCTS.COM

905.672.8000 or Toll Free 855.344.4500

info@tropicalforestproducts.com

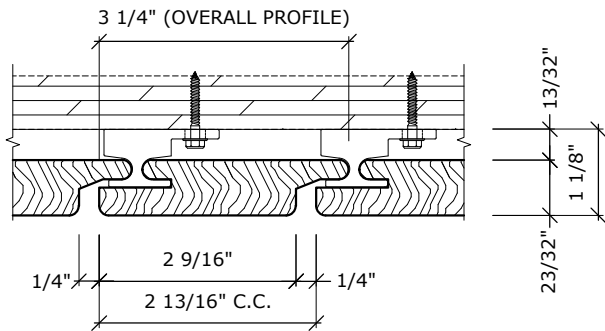
6200 TOMKEN RD, MISSISSAUGA

ON, L5T 1X7, CANADA

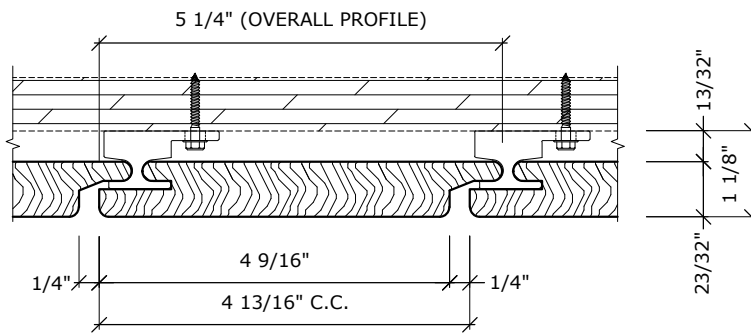
Follow us at Instagram: @tropicalforestproducts

TROPICAL

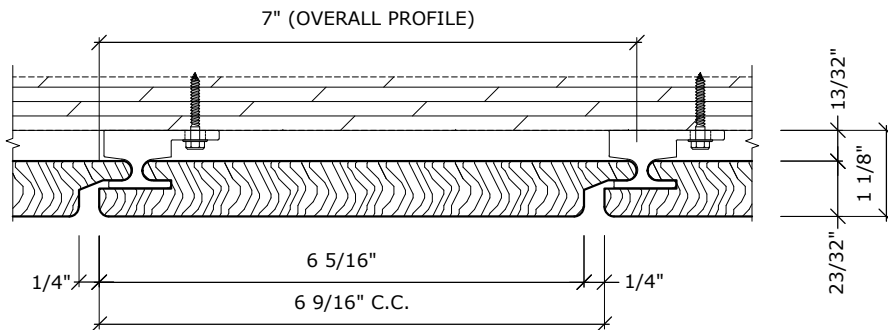
**VERTICAL APPLICATION:
LAYUP DIMENSIONS: 1" WITH 1/4" REVEAL
SCALE: NTS**



A TROPICAL PRO CLAD CLIP ALUMINUM w/ 1" X 4" 1/4 REVEAL RAINSCREEN
SCALE: NTS



B TROPICAL PRO CLAD CLIP ALUMINUM w/ 1" X 6" 1/4 REVEAL RAINSCREEN
SCALE: NTS



C TROPICAL PRO CLAD CLIP ALUMINUM w/ 1" X 8" 1/4 REVEAL RAINSCREEN
SCALE: NTS

THESE GUIDE DETAILS ARE PROVIDED FOR INFORMATION ONLY AND OUTLINE GENERAL/TYPICAL REQUIREMENTS FOR THE ATTACHMENT SYSTEM. PROJECT SPECIFIC ENGINEERING WILL ADDRESS STRUCTURAL ATTACHMENT (I.E. FASTENING PATTERN, ETC.). CONTACT KWS FOR FURTHER DETAILS. ALL IMPLIED WARRANTIES INCLUDING MERCHANTABILITY & FITNESS FOR A PARTICULAR PURPOSE ARE EXPRESSLY EXCLUDED.

TROPICALFORESTPRODUCTS.COM

905.672.8000 or Toll Free 855.344.4500

info@tropicalforestproducts.com

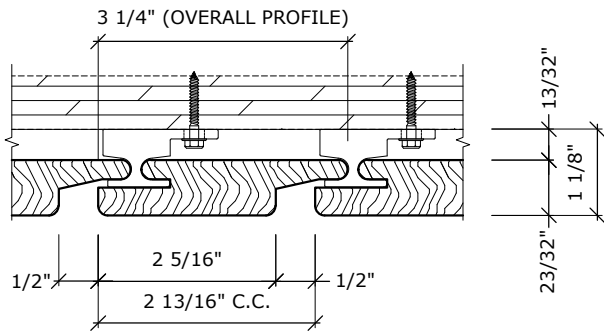
6200 TOMKEN RD, MISSISSAUGA

ON, L5T 1X7. CANADA

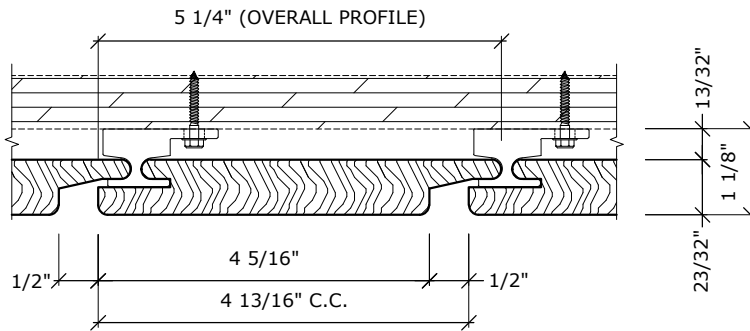
Follow us at Instagram: @tropicalforestproducts

TROPICAL

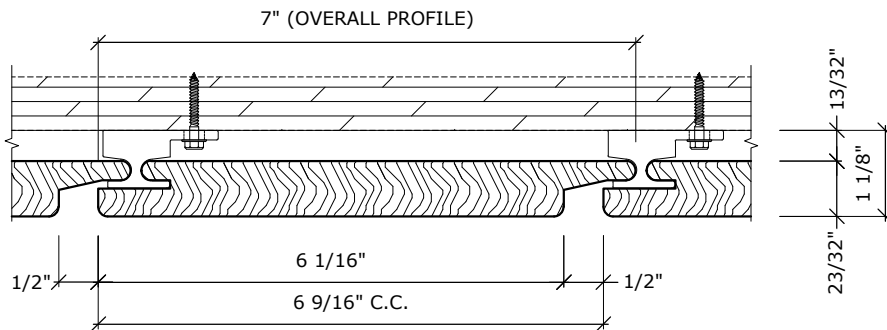
**VERTICAL APPLICATION:
LAYUP DIMENSIONS: 1" WITH 1/2" REVEAL
SCALE: NTS**



A TROPICAL PRO CLAD CLIP ALUMINUM w/ 1" X 4" 1/2 REVEAL RAINSCREEN
SCALE: NTS



B TROPICAL PRO CLAD CLIP ALUMINUM w/ 1" X 6" 1/2 REVEAL RAINSCREEN
SCALE: NTS



C TROPICAL PRO CLAD CLIP ALUMINUM w/ 1" X 8" 1/2 REVEAL RAINSCREEN
SCALE: NTS

THESE GUIDE DETAILS ARE PROVIDED FOR INFORMATION ONLY AND OUTLINE GENERAL/TYPICAL REQUIREMENTS FOR THE ATTACHMENT SYSTEM. PROJECT SPECIFIC ENGINEERING WILL ADDRESS STRUCTURAL ATTACHMENT (I.E. FASTENING PATTERN, ETC.). CONTACT KWS FOR FURTHER DETAILS. ALL IMPLIED WARRANTIES INCLUDING MERCHANTABILITY & FITNESS FOR A PARTICULAR PURPOSE ARE EXPRESSLY EXCLUDED.

TROPICALFORESTPRODUCTS.COM

905.672.8000 or Toll Free 855.344.4500

info@tropicalforestproducts.com

6200 TOMKEN RD, MISSISSAUGA

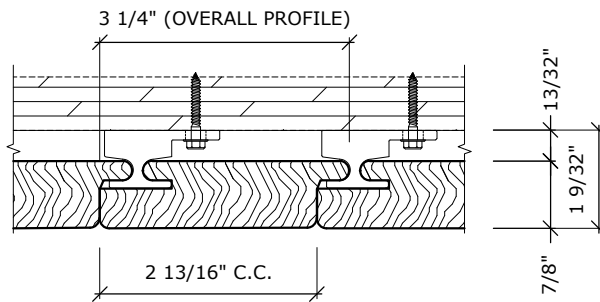
ON, L5T 1X7. CANADA

Follow us at Instagram: @tropicalforestproducts

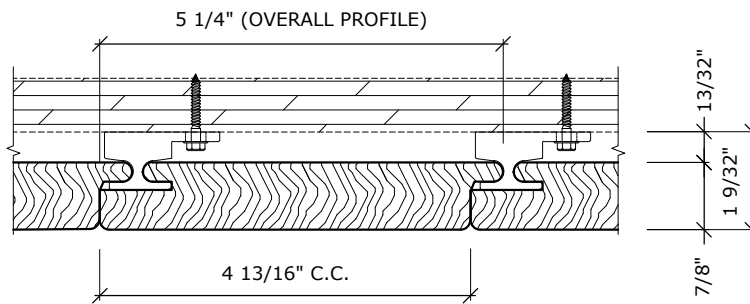
TROPICAL

PAGE: 34 of 56

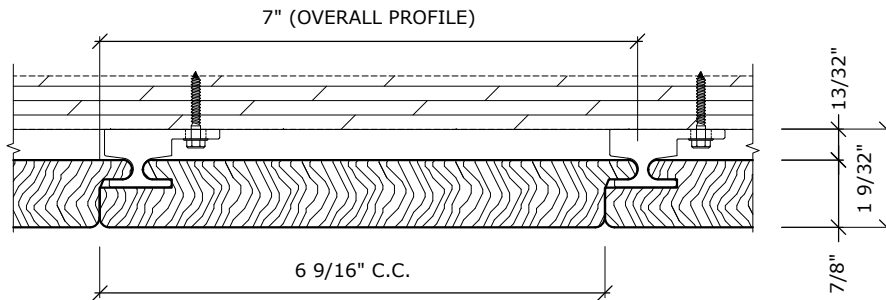
**VERTICAL APPLICATION:
LAYUP DIMENSIONS: 5/4" WITH NO REVEAL
SCALE: NTS**



A TROPICAL PRO CLAD CLIP ALUMINUM w/ 5/4" X 4" NO REVEAL RAINSCREEN
SCALE: NTS



B TROPICAL PRO CLAD CLIP ALUMINUM w/ 5/4" X 6" NO REVEAL RAINSCREEN
SCALE: NTS



C TROPICAL PRO CLAD CLIP ALUMINUM w/ 5/4" X 8" NO REVEAL RAINSCREEN
SCALE: NTS

THESE GUIDE DETAILS ARE PROVIDED FOR INFORMATION ONLY AND OUTLINE GENERAL/TYPICAL REQUIREMENTS FOR THE ATTACHMENT SYSTEM. PROJECT SPECIFIC ENGINEERING WILL ADDRESS STRUCTURAL ATTACHMENT (I.E. FASTENING PATTERN, ETC.). CONTACT KWS FOR FURTHER DETAILS. ALL IMPLIED WARRANTIES INCLUDING MERCHANTABILITY & FITNESS FOR A PARTICULAR PURPOSE ARE EXPRESSLY EXCLUDED.

TROPICALFORESTPRODUCTS.COM

905.672.8000 or Toll Free 855.344.4500

info@tropicalforestproducts.com

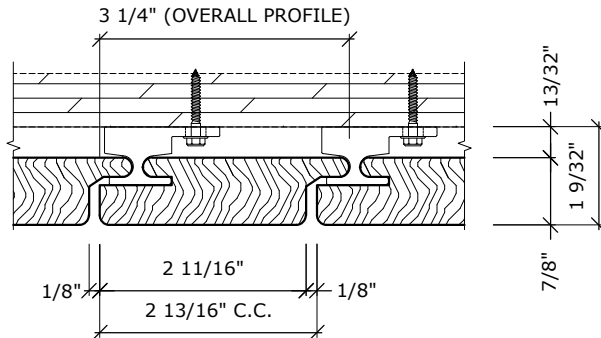
6200 TOMKEN RD, MISSISSAUGA

ON, L5T 1X7, CANADA

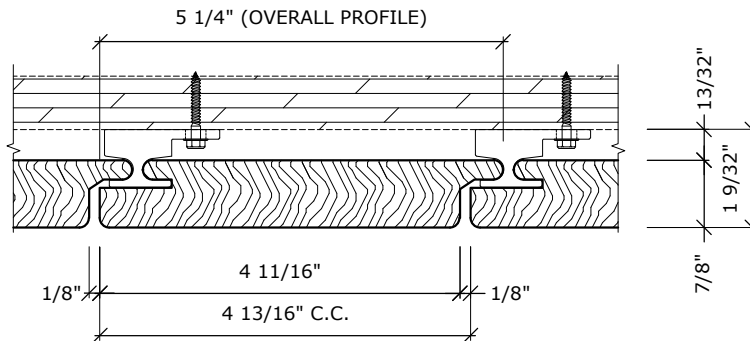
Follow us at Instagram: @tropicalforestproducts

TROPICAL

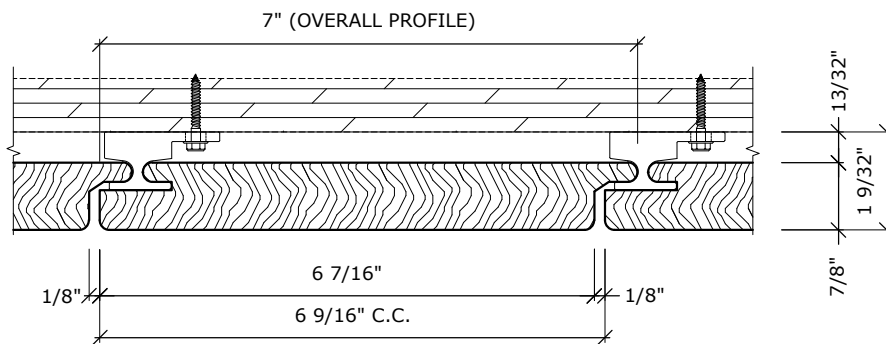
**VERTICAL APPLICATION:
LAYUP DIMENSIONS: 5/4" WITH 1/8" REVEAL
SCALE: NTS**



A TROPICAL PRO CLAD CLIP ALUMINUM w/ 5/4" X 4" 1/8 REVEAL RAINSCREEN
SCALE: NTS



B TROPICAL PRO CLAD CLIP ALUMINUM w/ 5/4" X 6" 1/8 REVEAL RAINSCREEN
SCALE: NTS



C TROPICAL PRO CLAD CLIP ALUMINUM w/ 5/4" X 8" 1/8 REVEAL RAINSCREEN
SCALE: NTS

THESE GUIDE DETAILS ARE PROVIDED FOR INFORMATION ONLY AND OUTLINE GENERAL/TYPICAL REQUIREMENTS FOR THE ATTACHMENT SYSTEM. PROJECT SPECIFIC ENGINEERING WILL ADDRESS STRUCTURAL ATTACHMENT (I.E. FASTENING PATTERN, ETC.). CONTACT KWS FOR FURTHER DETAILS. ALL IMPLIED WARRANTIES INCLUDING MERCHANTABILITY & FITNESS FOR A PARTICULAR PURPOSE ARE EXPRESSLY EXCLUDED.

TROPICALFORESTPRODUCTS.COM

905.672.8000 or Toll Free 855.344.4500

info@tropicalforestproducts.com

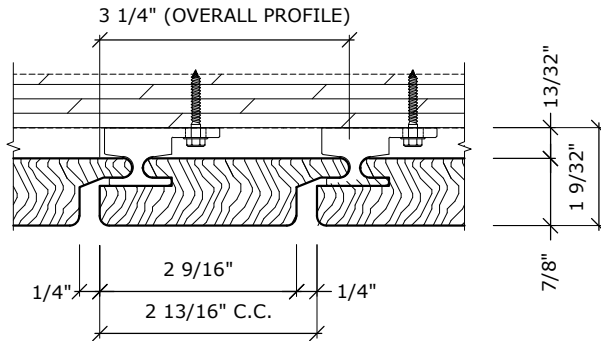
6200 TOMKEN RD, MISSISSAUGA

ON, L5T 1X7, CANADA

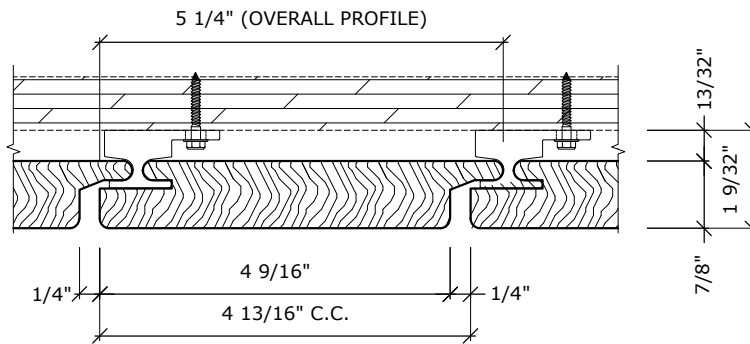
Follow us at Instagram: @tropicalforestproducts

TROPICAL

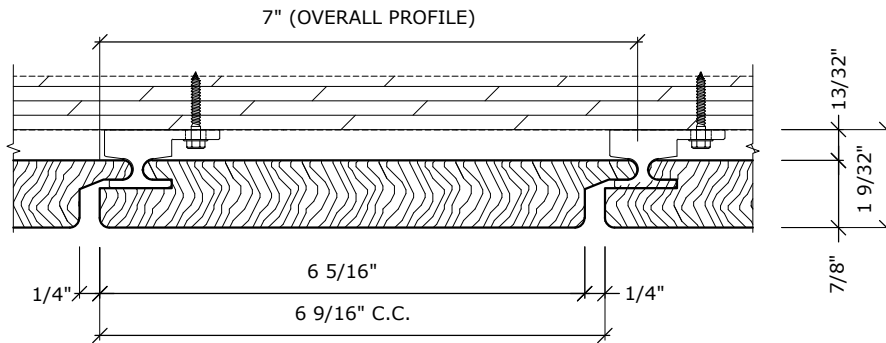
**VERTICAL APPLICATION:
LAYUP DIMENSIONS: 5/4" WITH 1/4" REVEAL
SCALE: NTS**



A TROPICAL PRO CLAD CLIP ALUMINUM w/ 5/4" X 4" 1/4 REVEAL RAINSCREEN
SCALE: NTS



B TROPICAL PRO CLAD CLIP ALUMINUM w/ 5/4" X 6" 1/4 REVEAL RAINSCREEN
SCALE: NTS



C TROPICAL PRO CLAD CLIP ALUMINUM w/ 5/4" X 8" 1/4 REVEAL RAINSCREEN
SCALE: NTS

THESE GUIDE DETAILS ARE PROVIDED FOR INFORMATION ONLY AND OUTLINE GENERAL/TYPICAL REQUIREMENTS FOR THE ATTACHMENT SYSTEM. PROJECT SPECIFIC ENGINEERING WILL ADDRESS STRUCTURAL ATTACHMENT (I.E. FASTENING PATTERN, ETC.). CONTACT KWS FOR FURTHER DETAILS. ALL IMPLIED WARRANTIES INCLUDING MERCHANTABILITY & FITNESS FOR A PARTICULAR PURPOSE ARE EXPRESSLY EXCLUDED.

TROPICALFORESTPRODUCTS.COM

905.672.8000 or Toll Free 855.344.4500

info@tropicalforestproducts.com

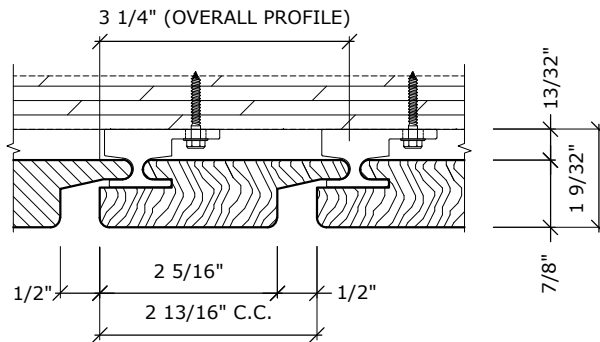
6200 TOMKEN RD, MISSISSAUGA

ON, L5T 1X7. CANADA

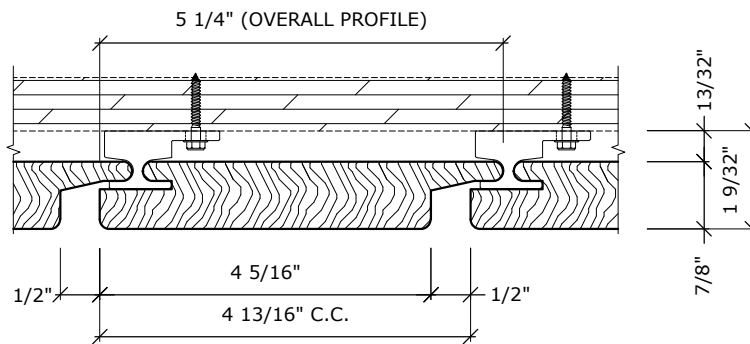
Follow us at Instagram: @tropicalforestproducts

TROPICAL

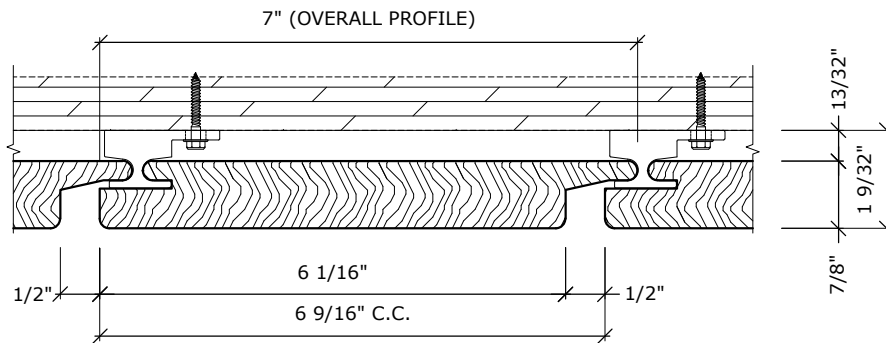
**VERTICAL APPLICATION:
LAYUP DIMENSIONS: 5/4" WITH 1/2" REVEAL
SCALE: NTS**



A TROPICAL PRO CLAD CLIP ALUMINUM w/ 5/4" X 4" 1/2 REVEAL RAINSCREEN
SCALE: NTS



B TROPICAL PRO CLAD CLIP ALUMINUM w/ 5/4" X 6" 1/2 REVEAL RAINSCREEN
SCALE: NTS



C TROPICAL PRO CLAD CLIP ALUMINUM w/ 5/4" X 8" 1/2 REVEAL RAINSCREEN
SCALE: NTS

THESE GUIDE DETAILS ARE PROVIDED FOR INFORMATION ONLY AND OUTLINE GENERAL/TYPICAL REQUIREMENTS FOR THE ATTACHMENT SYSTEM. PROJECT SPECIFIC ENGINEERING WILL ADDRESS STRUCTURAL ATTACHMENT (I.E. FASTENING PATTERN, ETC.). CONTACT KWS FOR FURTHER DETAILS. ALL IMPLIED WARRANTIES INCLUDING MERCHANTABILITY & FITNESS FOR A PARTICULAR PURPOSE ARE EXPRESSLY EXCLUDED.

TROPICALFORESTPRODUCTS.COM

905.672.8000 or Toll Free 855.344.4500

info@tropicalforestproducts.com

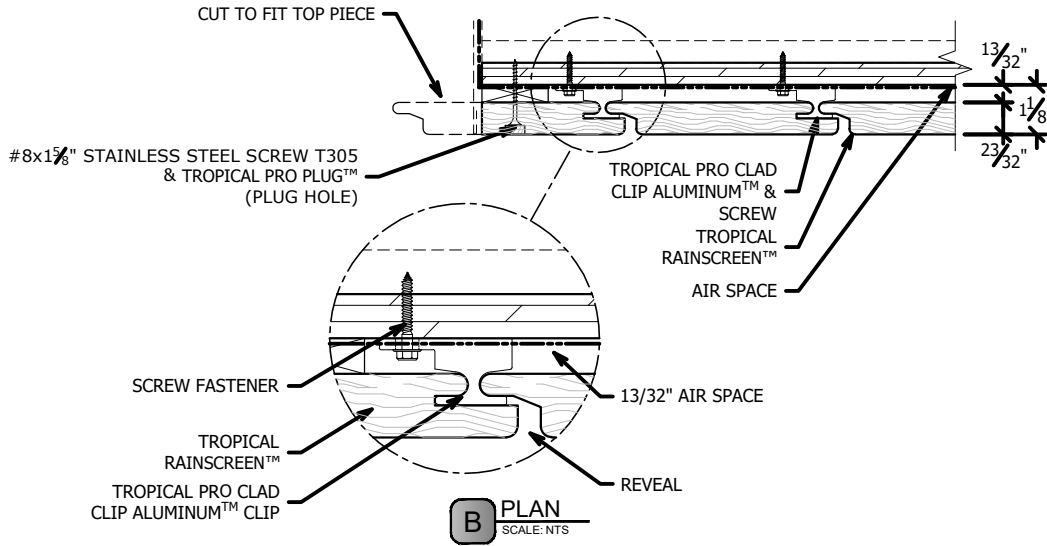
6200 TOMKEN RD, MISSISSAUGA

ON, L5T 1X7. CANADA

Follow us at Instagram: @tropicalforestproducts

TROPICAL

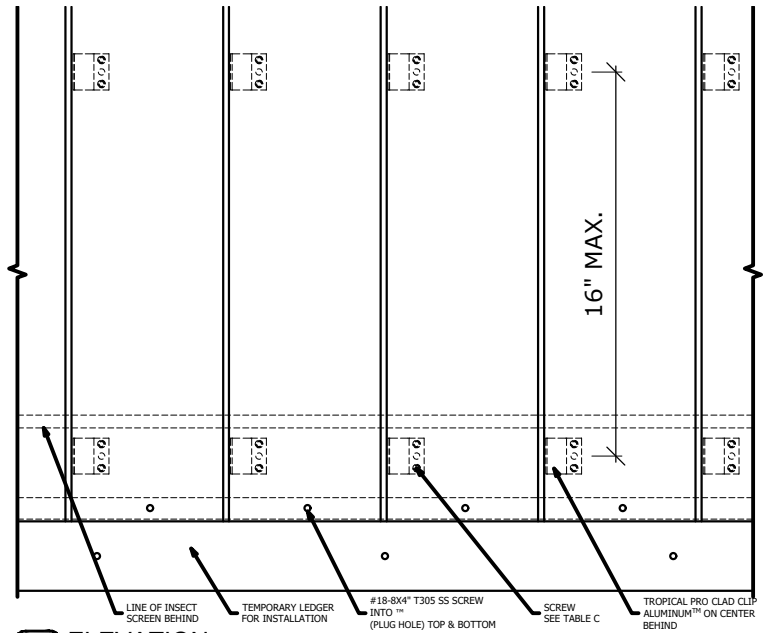
VERTICAL APPLICATION: CLAD CLIP SPECS



B PLAN
SCALE: NTS

NOTES

1. BASIS OF DESIGN - TFP® RAINSCREEN SYSTEM - ADDRESS: 6200 TOMKEN RD, MISSISSAUGA, ON L5T 1X7 CANADA 29405 / PHONE: 905.672.8000
2. TFP® CLADDING - WOOD SPECIES AS DENOTED IN PLANS AND SPECIFICATIONS
3. APPLICATION OF FIRST COAT OF TROPICAL IPE + MARINE OIL TO ALL FACES OF WOOD CLADDING RECOMMENDED PRIOR TO CLADDING INSTALLATION
4. USE #10 X 1.25" 410 STAINLESS STEEL SELF DRILLING FLAT HEAD SCREW SUPPLIED BY TFP
5. IF METAL FURRING STRIPS ARE USED, USE #10 X 3/4" SCREW. ATTACHMENT AND INTEGRITY OF FURRING STRIP IS BY OTHERS AND SHALL MEET ALL IMPOSING LOADS, METAL FURRING MUST BE 18 GA MINIMUM.
6. NOTE: IF A LESSER DIAMETER SCREW OR OTHER THAN MANUFACTURE'S SCREW TYPE IS DESIRED TO BE USED, THE RESULTING PRESSURES AND SPACING WILL CHANGE. THE PERMUTATIONS OF THESE OPTIONS IS OUTSIDE OF THIS PLAN.
7. ALL WORK SPECIFIED HEREIN HAS BEEN DESIGNED AND SHALL BE FABRICATED IN ACCORDANCE WITH THE FLORIDA BUILDING CODE FIFTH EDITION (2014)
8. ALL MATERIALS USED & FABRICATION METHODS SHALL CONFORM TO THE MANUFACTURER'S PUBLISHED AND APPROVED REQUIREMENTS .
9. ALL FASTENERS TO BE STAINLESS STEEL.



A ELEVATION
SCALE: NTS

SIDING SIZES	TYPE OF CONNECTION	PANEL/FURRING THICKNESS	CLIP SPACING	CLIP TYPE	SCREWS PER CLIP	SCREW	ALLOWABLE PRESSURE
1" X 8"	CLIP TO WOOD SHEATHING	3/8" - 3/4"	16"	ALUMINUM	2 PCS.	#10 X 1.5	110.0 PSF
1" X 6"	CLIP TO WOOD SHEATHING	3/8" - 3/4"	16"	ALUMINUM	2 PCS.	#10 X 1.5	110.0 PSF
1" x 4"	CLIP TO WOOD SHEATHING	3/8" - 3/4"	16"	ALUMINUM	2 PCS.	#10 X 1.5	110.0 PSF

THESE GUIDE DETAILS ARE PROVIDED FOR INFORMATION ONLY AND OUTLINE GENERAL/TYPICAL REQUIREMENTS FOR THE ATTACHMENT SYSTEM. PROJECT SPECIFIC ENGINEERING WILL ADDRESS STRUCTURAL ATTACHMENT (i.e. FASTENING PATTERN, ETC.). CONTACT KWS FOR FURTHER DETAILS. ALL IMPLIED WARRANTIES INCLUDING MERCHANTABILITY & FITNESS FOR A PARTICULAR PURPOSE ARE EXPRESSLY EXCLUDED.

TROPICALFORESTPRODUCTS.COM

905.672.8000 or Toll Free 855.344.4500

info@tropicalforestproducts.com

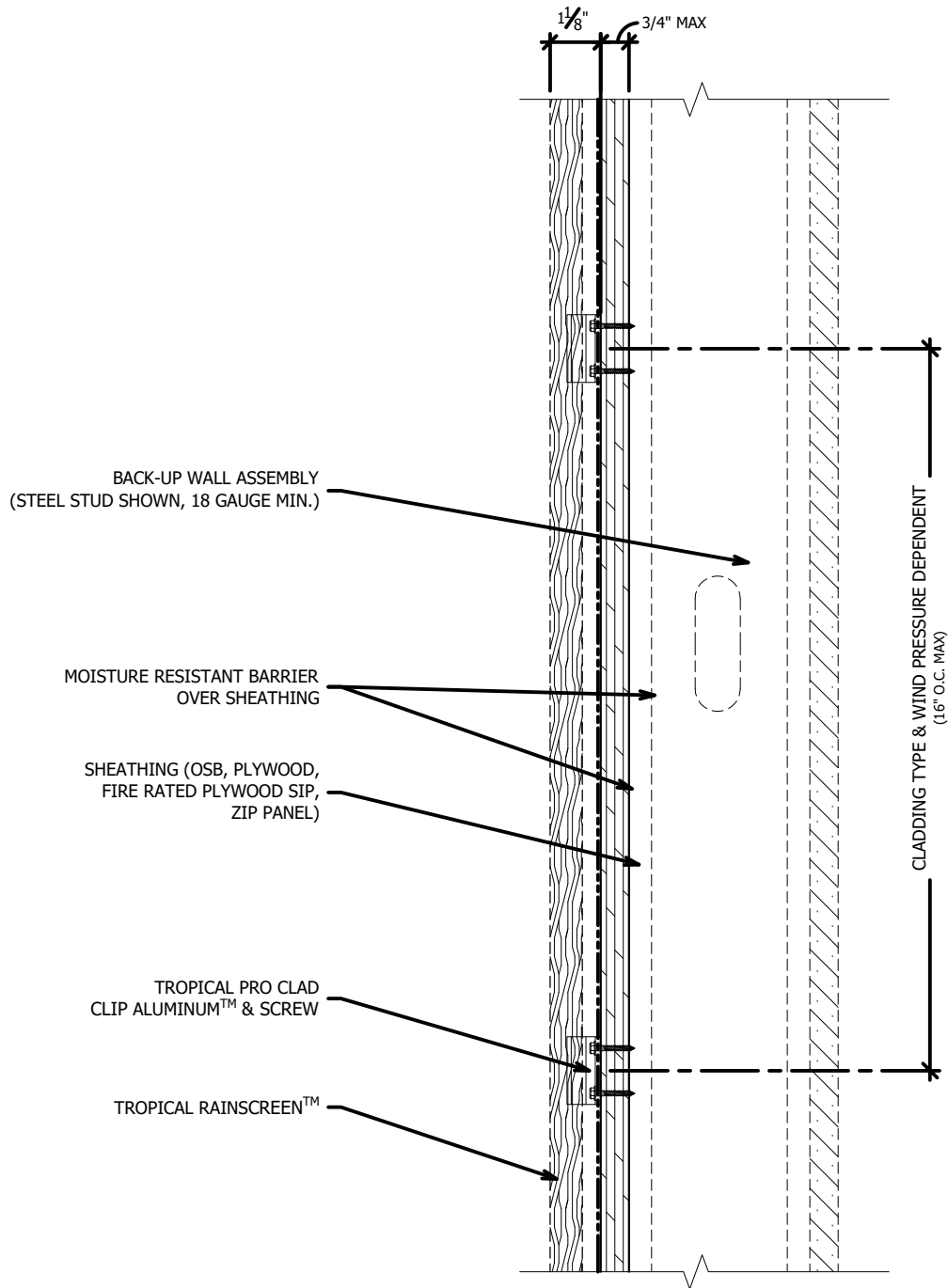
6200 TOMKEN RD, MISSISSAUGA

ON, L5T 1X7. CANADA

Follow us at Instagram: @tropicalforestproducts

TROPICAL

**VERTICAL APPLICATION: TYPICAL SECTION VIEW:
SCALE: 3"=1'-0"**



SYSTEM MAY BE INSTALLED OVER STEEL STUDS,
WOOD STUDS, CMU OR CONCRETE SUBSTRATES
(WITH USE OF APPROPRIATE WALL ANCHORS).

*MAXIMUM ALLOWABLE SPACING AND DEAD LOAD (WEIGHT OF CLADDING) IS BASED ON THE TOTAL LOAD (DEAD + LIVE) ACTING ON THE ASSEMBLY, BRACKETS AND CONNECTIONS

THESE GUIDE DETAILS ARE PROVIDED FOR INFORMATION ONLY AND OUTLINE GENERAL/TYPICAL REQUIREMENTS FOR THE ATTACHMENT SYSTEM. PROJECT SPECIFIC ENGINEERING WILL ADDRESS STRUCTURAL ATTACHMENT (i.e. FASTENING PATTERN, ETC.). CONTACT KWS FOR FURTHER DETAILS. ALL IMPLIED WARRANTIES INCLUDING MERCHANTABILITY & FITNESS FOR A PARTICULAR PURPOSE ARE EXPRESSLY EXCLUDED.

TROPICALFORESTPRODUCTS.COM

905.672.8000 or Toll Free 855.344.4500

info@tropicalforestproducts.com

6200 TOMKEN RD, MISSISSAUGA

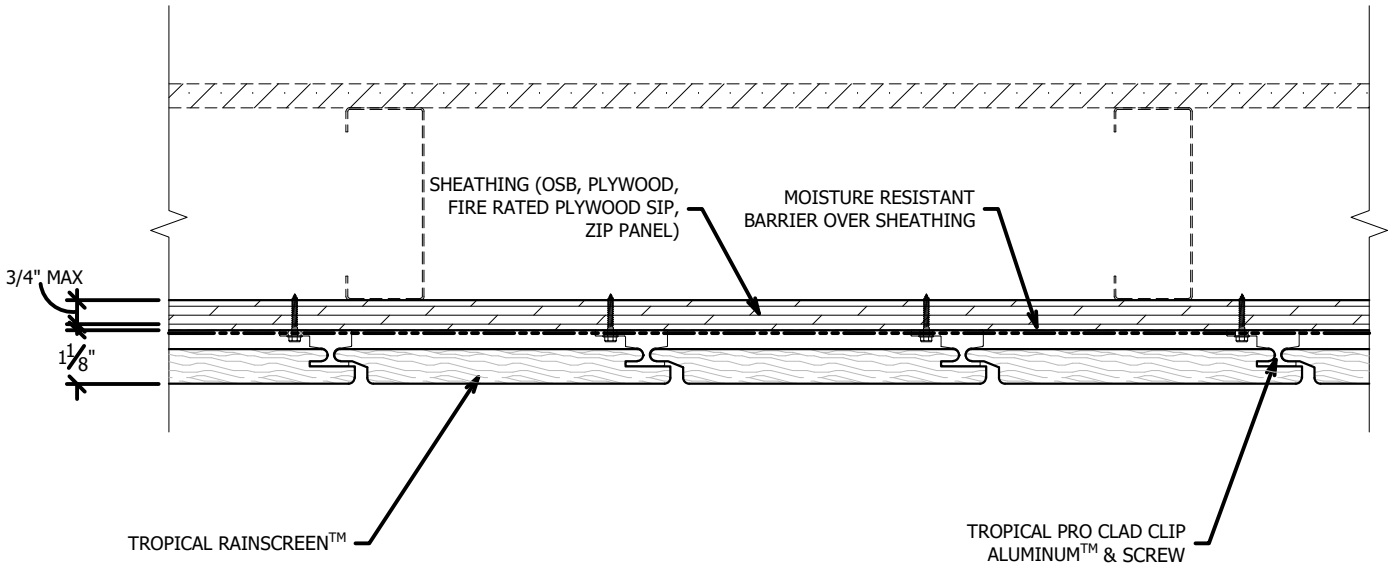
ON, L5T 1X7. CANADA

Follow us at Instagram: @tropicalforestproducts

TROPICAL

**VERTICAL APPLICATION:
TYPICAL PLAN VIEW:
SCALE: 3"=1'-0"**

SYSTEM MAY BE INSTALLED OVER STEEL STUDS,
WOOD STUDS, CMU OR CONCRETE SUBSTRATES
(WITH USE OF APPROPRIATE WALL ANCHORS).



*MAXIMUM ALLOWABLE SPACING AND DEAD LOAD (WEIGHT OF CLADDING) IS BASED ON THE TOTAL LOAD (DEAD + LIVE) ACTING ON THE ASSEMBLY, BRACKETS AND CONNECTIONS

THESE GUIDE DETAILS ARE PROVIDED FOR INFORMATION ONLY AND OUTLINE GENERAL/TYPICAL REQUIREMENTS FOR THE ATTACHMENT SYSTEM. PROJECT SPECIFIC ENGINEERING WILL ADDRESS STRUCTURAL ATTACHMENT (i.e. FASTENING PATTERN, ETC.). CONTACT KWS FOR FURTHER DETAILS. ALL IMPLIED WARRANTIES INCLUDING MERCHANTABILITY & FITNESS FOR A PARTICULAR PURPOSE ARE EXPRESSLY EXCLUDED.

TROPICALFORESTPRODUCTS.COM

905.672.8000 or Toll Free 855.344.4500

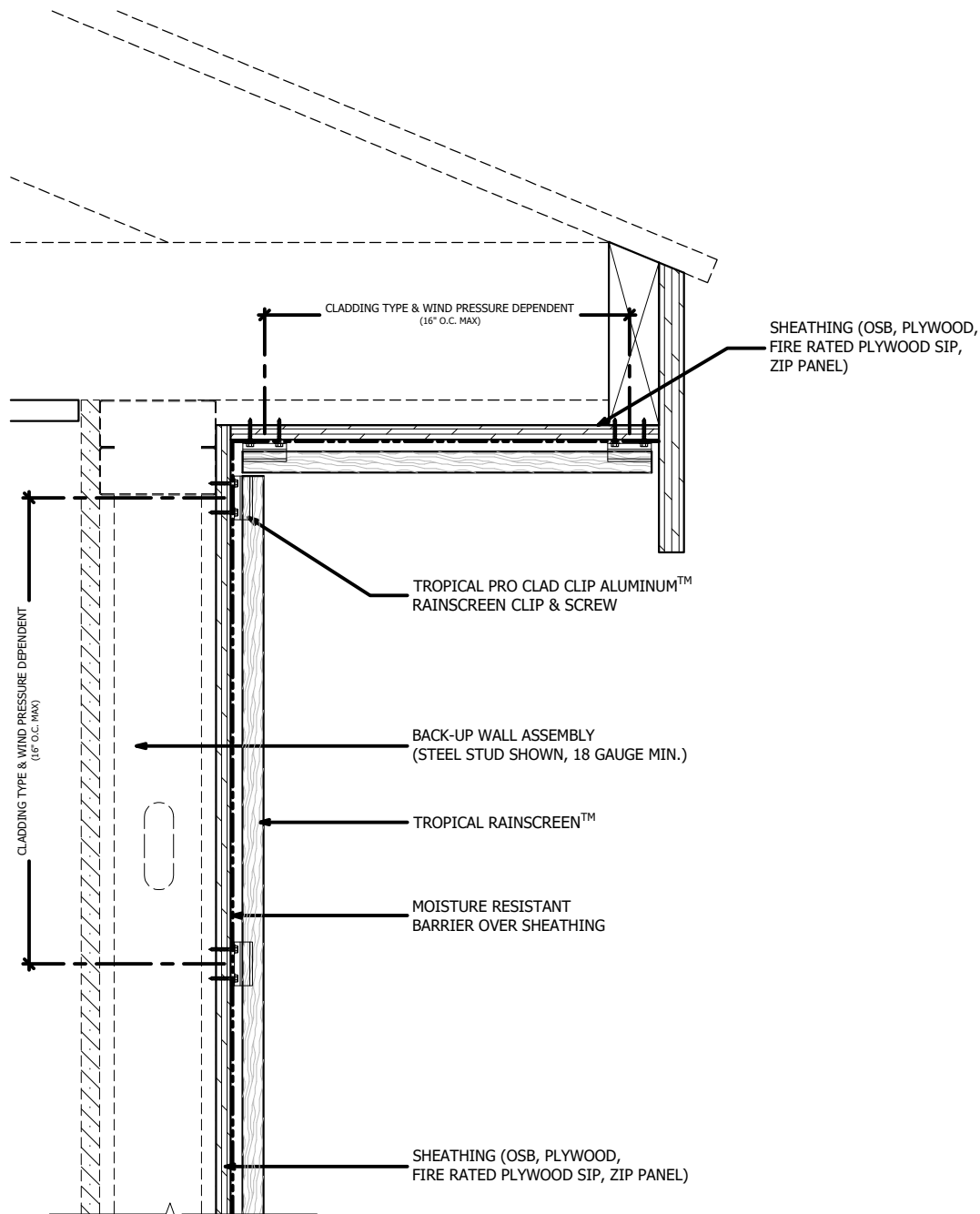
info@tropicalforestproducts.com

6200 TOMKEN RD, MISSISSAUGA
ON, L5T 1X7, CANADA

Follow us at Instagram: @tropicalforestproducts

TROPICAL

**VERTICAL APPLICATION:
TYPICAL SECTION VIEW W/ SOFFIT:
SCALE: 2"=1'-0"**



SYSTEM MAY BE INSTALLED OVER STEEL STUDS,
WOOD STUDS, CMU OR CONCRETE SUBSTRATES
(WITH USE OF APPROPRIATE WALL ANCHORS).

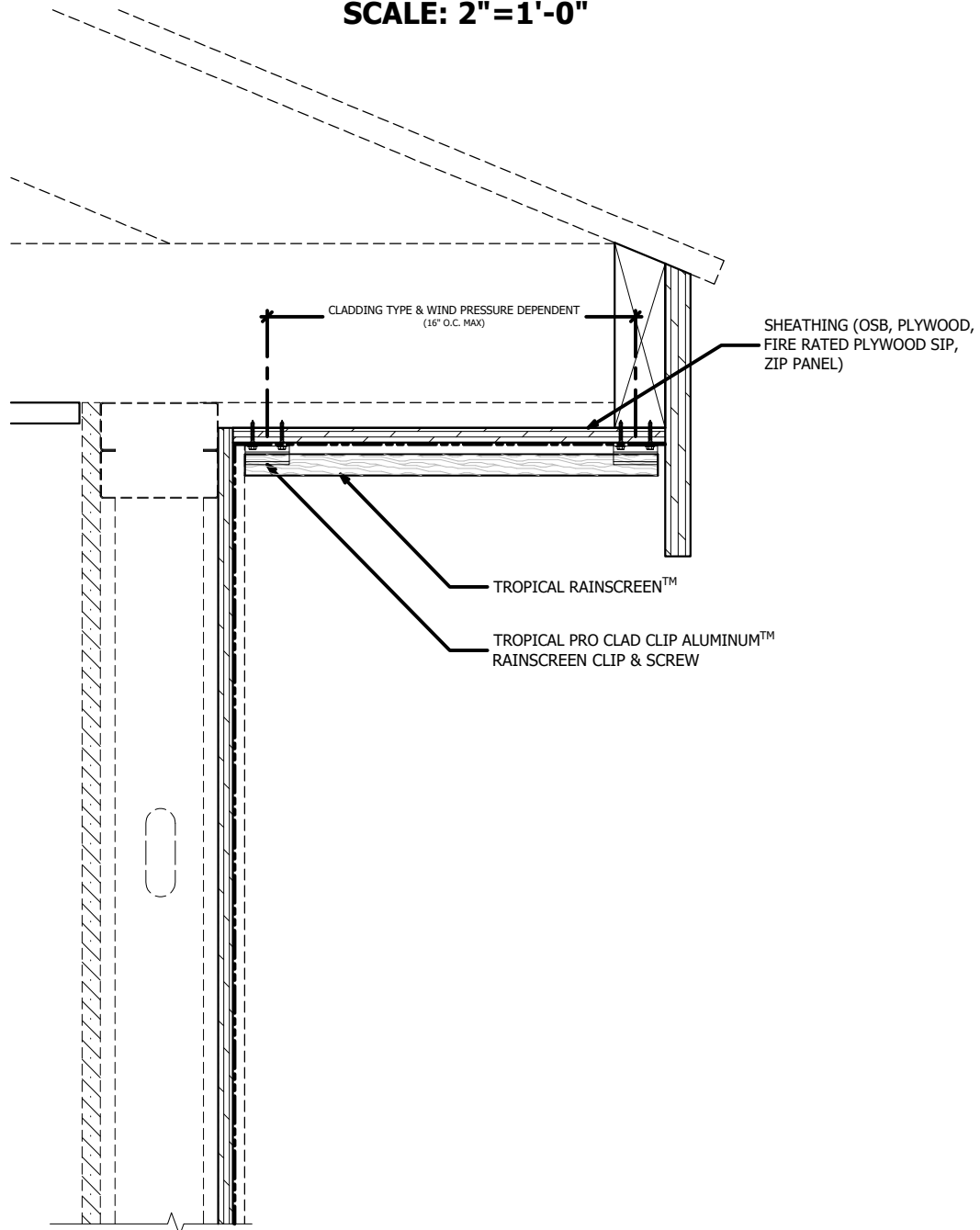
*MAXIMUM ALLOWABLE SPACING AND DEAD LOAD (WEIGHT OF CLADDING) IS BASED ON THE TOTAL LOAD (DEAD + LIVE) ACTING ON THE ASSEMBLY, BRACKETS AND CONNECTIONS

THESE GUIDE DETAILS ARE PROVIDED FOR INFORMATION ONLY AND OUTLINE GENERAL/TYPICAL REQUIREMENTS FOR THE ATTACHMENT SYSTEM. PROJECT SPECIFIC ENGINEERING WILL ADDRESS STRUCTURAL ATTACHMENT (I.E. FASTENING PATTERN, ETC.). CONTACT KWS FOR FURTHER DETAILS. ALL IMPLIED WARRANTIES INCLUDING MERCHANTABILITY & FITNESS FOR A PARTICULAR PURPOSE ARE EXPRESSLY EXCLUDED.

TROPICALFORESTPRODUCTS.COM
905.672.8000 or Toll Free 855.344.4500
info@tropicalforestproducts.com
6200 TOMKEN RD, MISSISSAUGA
ON, L5T 1X7. CANADA
Follow us at Instagram: @tropicalforestproducts

TROPICAL

**VERTICAL APPLICATION:
TYPICAL SECTION VIEW SOFFIT ONLY:
SCALE: 2"=1'-0"**

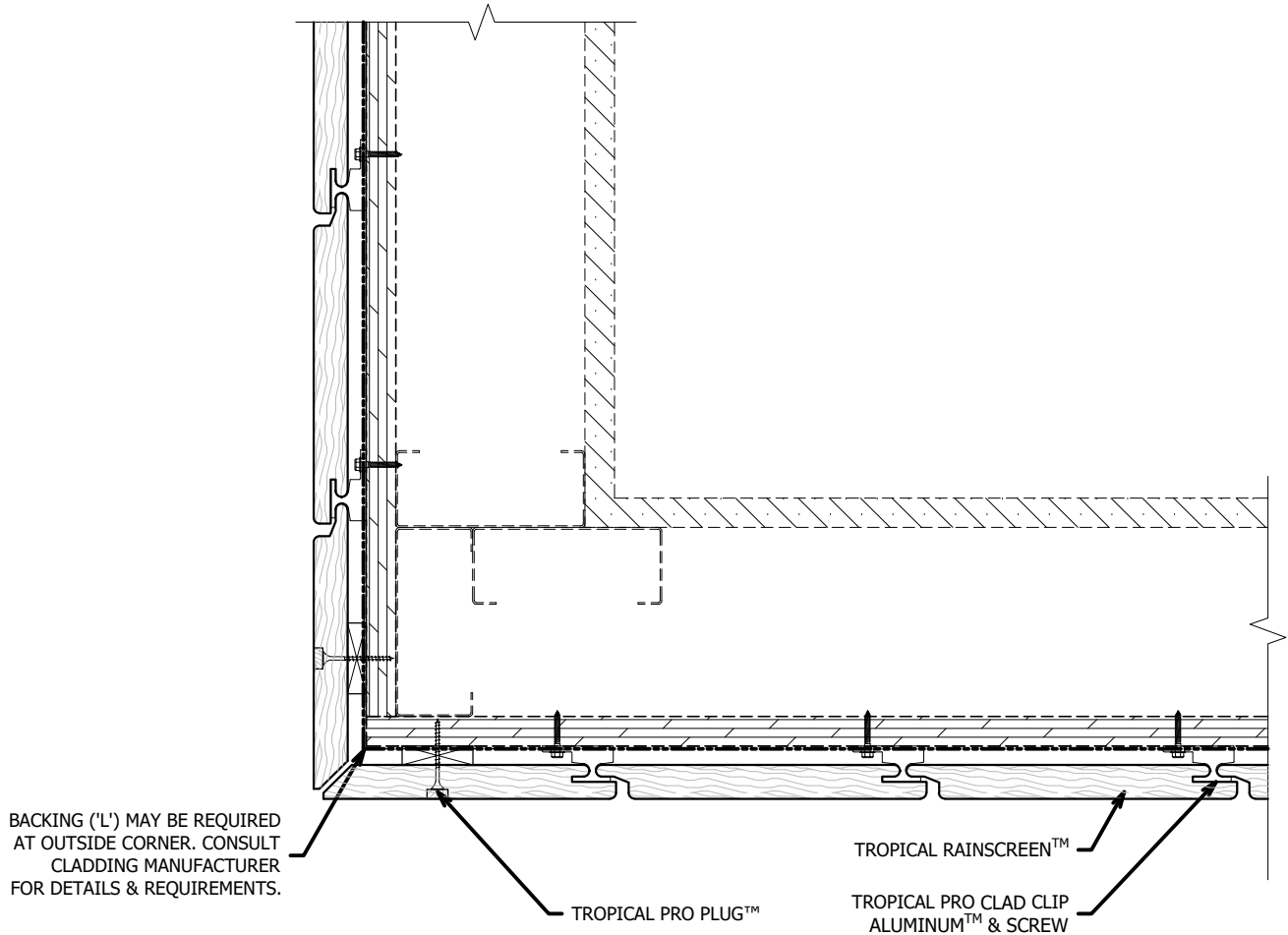


SYSTEM MAY BE INSTALLED OVER STEEL STUDS,
WOOD STUDS, CMU OR CONCRETE SUBSTRATES
(WITH USE OF APPROPRIATE WALL ANCHORS).

*MAXIMUM ALLOWABLE SPACING AND DEAD LOAD (WEIGHT OF CLADDING) IS BASED ON THE TOTAL LOAD (DEAD + LIVE) ACTING ON THE ASSEMBLY, BRACKETS AND CONNECTIONS

THESE GUIDE DETAILS ARE PROVIDED FOR INFORMATION ONLY AND OUTLINE GENERAL/TYPICAL REQUIREMENTS FOR THE ATTACHMENT SYSTEM. PROJECT SPECIFIC ENGINEERING WILL ADDRESS STRUCTURAL ATTACHMENT (I.E. FASTENING PATTERN, ETC.). CONTACT KWS FOR FURTHER DETAILS. ALL IMPLIED WARRANTIES INCLUDING MERCHANTABILITY & FITNESS FOR A PARTICULAR PURPOSE ARE EXPRESSLY EXCLUDED.

**VERTICAL APPLICATION:
TYPICAL OUTSIDE CORNER CONDITION: MITER W/ GAP
SCALE: 3"=1'-0"**



*MAXIMUM ALLOWABLE SPACING AND DEAD LOAD (WEIGHT OF CLADDING) IS BASED ON THE TOTAL LOAD (DEAD + LIVE) ACTING ON THE ASSEMBLY, BRACKETS AND CONNECTIONS

THESE GUIDE DETAILS ARE PROVIDED FOR INFORMATION ONLY AND OUTLINE GENERAL/TYPICAL REQUIREMENTS FOR THE ATTACHMENT SYSTEM. PROJECT SPECIFIC ENGINEERING WILL ADDRESS STRUCTURAL ATTACHMENT (i.e. FASTENING PATTERN, ETC.). CONTACT KWS FOR FURTHER DETAILS. ALL IMPLIED WARRANTIES INCLUDING MERCHANTABILITY & FITNESS FOR A PARTICULAR PURPOSE ARE EXPRESSLY EXCLUDED.

TROPICALFORESTPRODUCTS.COM

905.672.8000 or Toll Free 855.344.4500

info@tropicalforestproducts.com

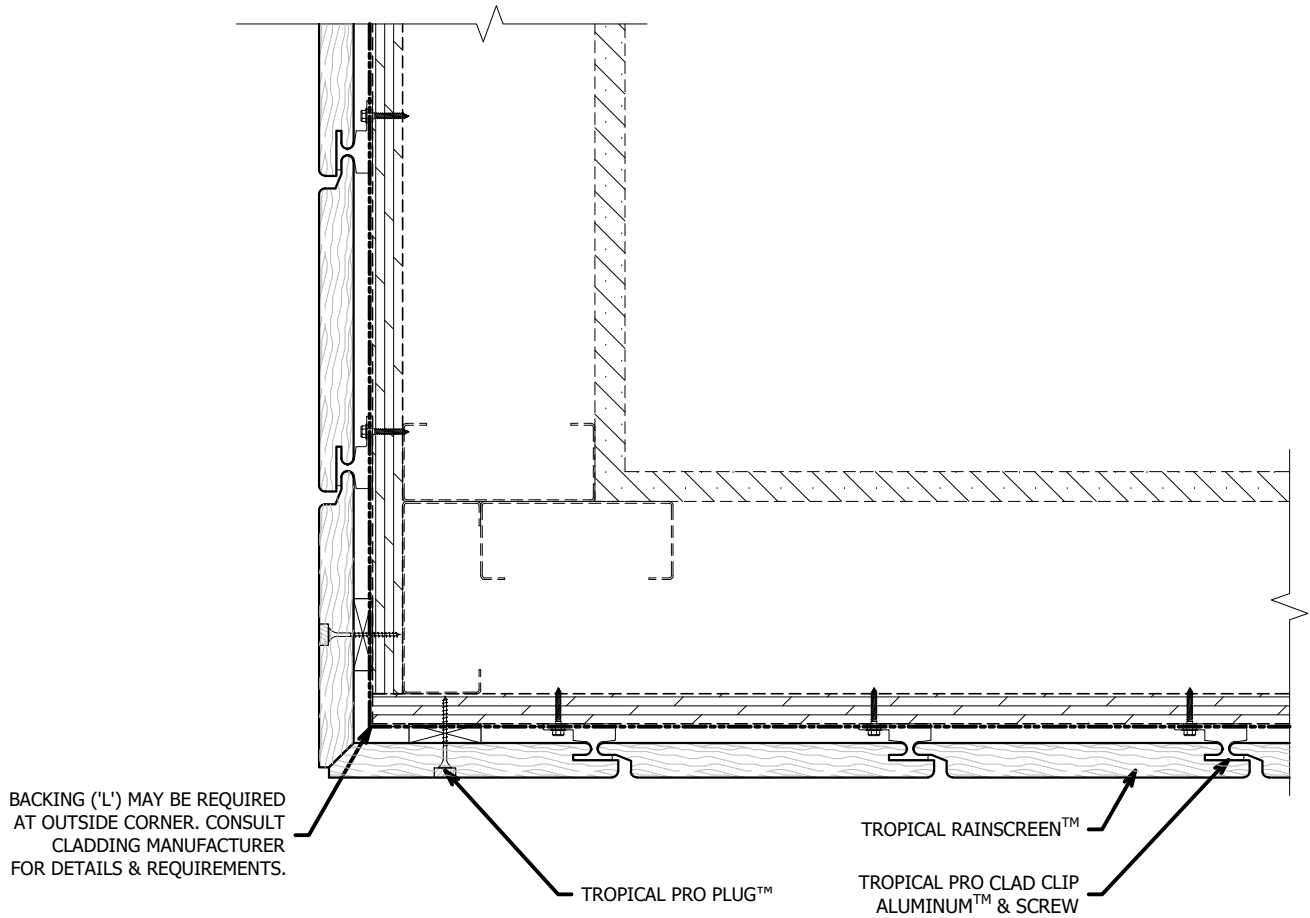
6200 TOMKEN RD, MISSISSAUGA

ON, L5T 1X7. CANADA

Follow us at Instagram: @tropicalforestproducts

TROPICAL

**VERTICAL APPLICATION:
TYPICAL OUTSIDE CORNER CONDITION: MITER
SCALE: 3"=1'-0"**



*MAXIMUM ALLOWABLE SPACING AND DEAD LOAD (WEIGHT OF CLADDING) IS BASED ON THE TOTAL LOAD (DEAD + LIVE) ACTING ON THE ASSEMBLY, BRACKETS AND CONNECTIONS

THESE GUIDE DETAILS ARE PROVIDED FOR INFORMATION ONLY AND OUTLINE GENERAL/TYPICAL REQUIREMENTS FOR THE ATTACHMENT SYSTEM. PROJECT SPECIFIC ENGINEERING WILL ADDRESS STRUCTURAL ATTACHMENT (i.e. FASTENING PATTERN, ETC.). CONTACT KWS FOR FURTHER DETAILS. ALL IMPLIED WARRANTIES INCLUDING MERCHANTABILITY & FITNESS FOR A PARTICULAR PURPOSE ARE EXPRESSLY EXCLUDED.

TROPICALFORESTPRODUCTS.COM

905.672.8000 or Toll Free 855.344.4500

info@tropicalforestproducts.com

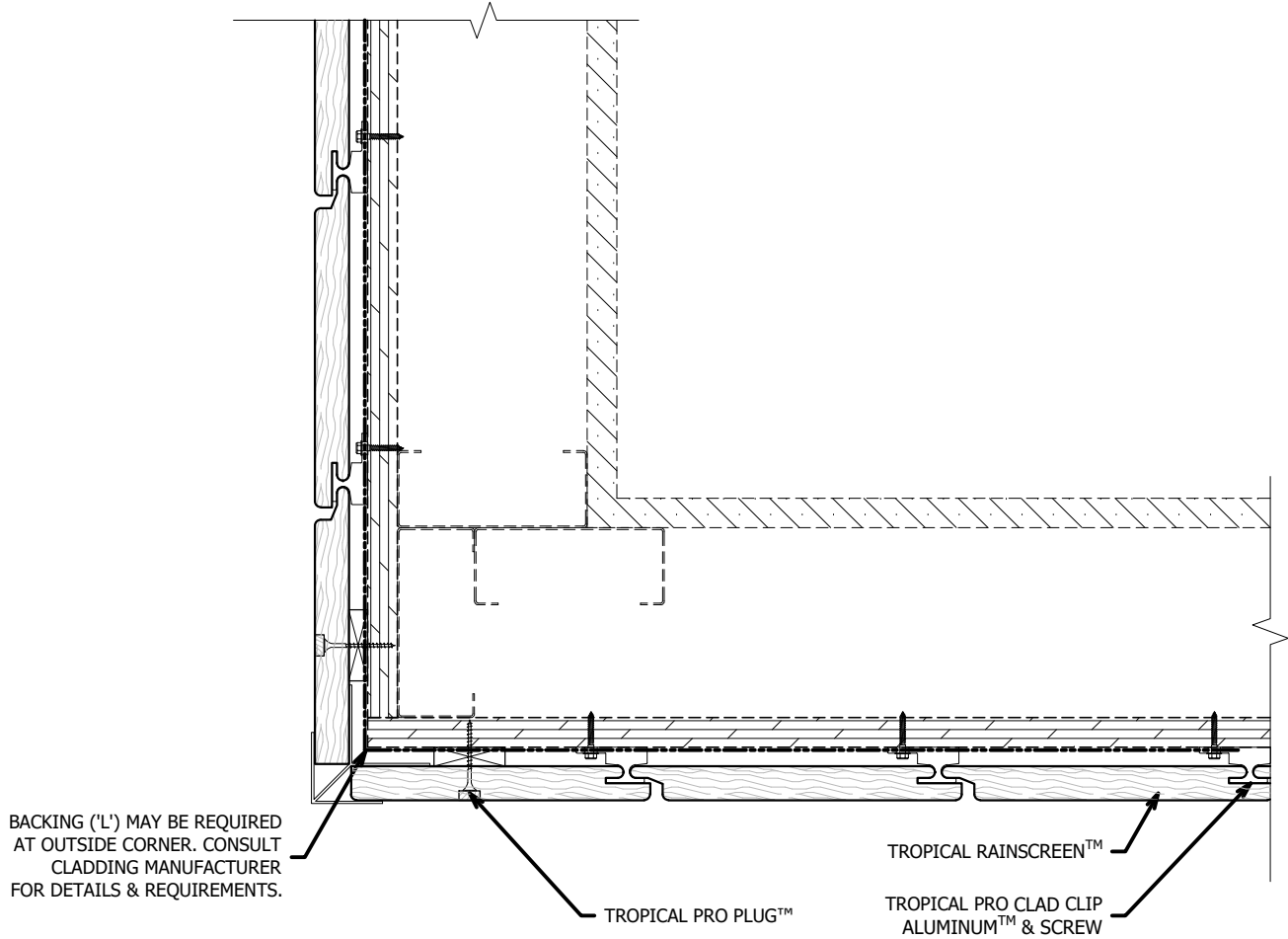
6200 TOMKEN RD, MISSISSAUGA

ON, L5T 1X7. CANADA

Follow us at Instagram: @tropicalforestproducts

TROPICAL

**VERTICAL APPLICATION:
TYPICAL OUTSIDE CORNER CONDITION: ALUMINUM EXTRUSION
SCALE: 3"=1'-0"**



*MAXIMUM ALLOWABLE SPACING AND DEAD LOAD (WEIGHT OF CLADDING) IS BASED ON THE TOTAL LOAD (DEAD + LIVE) ACTING ON THE ASSEMBLY, BRACKETS AND CONNECTIONS

THESE GUIDE DETAILS ARE PROVIDED FOR INFORMATION ONLY AND OUTLINE GENERAL/TYPICAL REQUIREMENTS FOR THE ATTACHMENT SYSTEM. PROJECT SPECIFIC ENGINEERING WILL ADDRESS STRUCTURAL ATTACHMENT (i.e. FASTENING PATTERN, ETC.). CONTACT KWS FOR FURTHER DETAILS. ALL IMPLIED WARRANTIES INCLUDING MERCHANTABILITY & FITNESS FOR A PARTICULAR PURPOSE ARE EXPRESSLY EXCLUDED.

TROPICALFORESTPRODUCTS.COM

905.672.8000 or Toll Free 855.344.4500

info@tropicalforestproducts.com

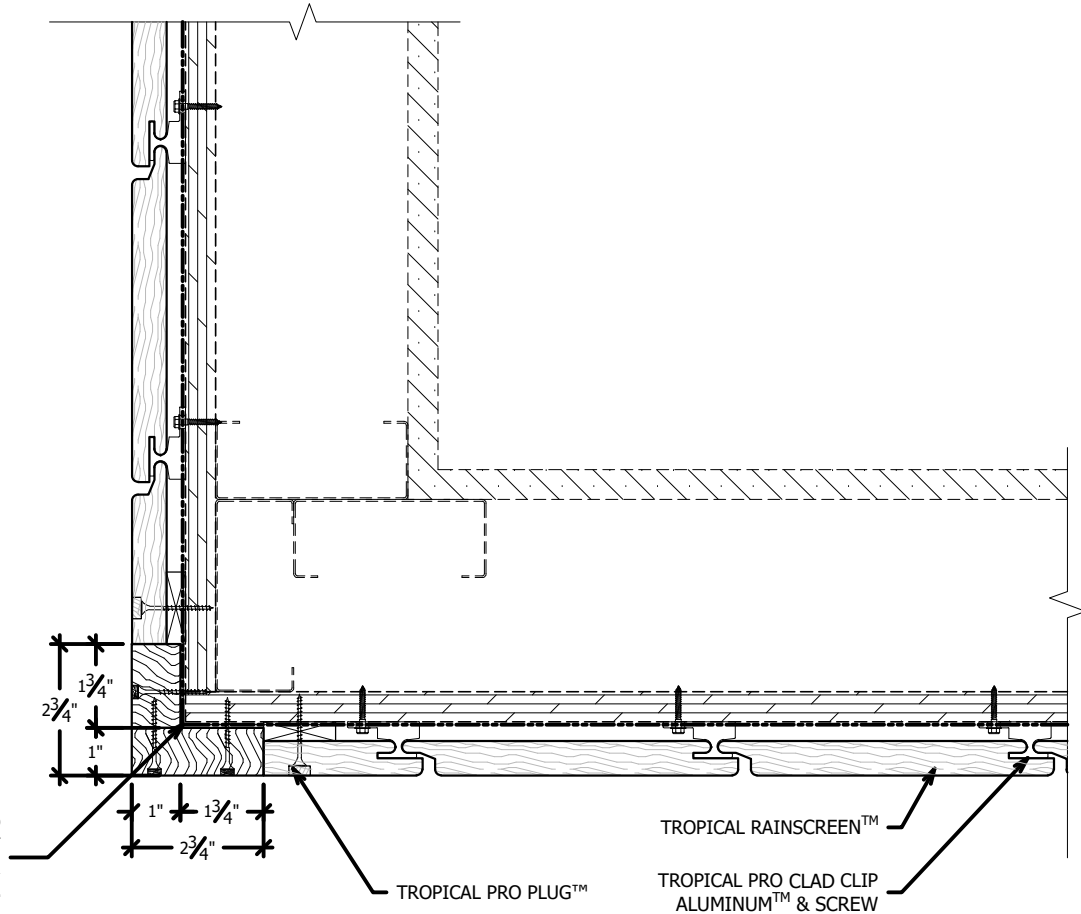
6200 TOMKEN RD, MISSISSAUGA

ON, L5T 1X7. CANADA

Follow us at Instagram: @tropicalforestproducts

TROPICAL

**VERTICAL APPLICATION:
TYPICAL OUTSIDE CORNER CONDITION: FLUSH WOOD
SCALE: 3"=1'-0"**



BACKING ('L') MAY BE REQUIRED AT OUTSIDE CORNER. CONSULT CLADDING MANUFACTURER FOR DETAILS & REQUIREMENTS.

*MAXIMUM ALLOWABLE SPACING AND DEAD LOAD (WEIGHT OF CLADDING) IS BASED ON THE TOTAL LOAD (DEAD + LIVE) ACTING ON THE ASSEMBLY, BRACKETS AND CONNECTIONS

THESE GUIDE DETAILS ARE PROVIDED FOR INFORMATION ONLY AND OUTLINE GENERAL/TYPICAL REQUIREMENTS FOR THE ATTACHMENT SYSTEM. PROJECT SPECIFIC ENGINEERING WILL ADDRESS STRUCTURAL ATTACHMENT (i.e. FASTENING PATTERN, ETC.). CONTACT KWS FOR FURTHER DETAILS. ALL IMPLIED WARRANTIES INCLUDING MERCHANTABILITY & FITNESS FOR A PARTICULAR PURPOSE ARE EXPRESSLY EXCLUDED.

TROPICALFORESTPRODUCTS.COM

905.672.8000 or Toll Free 855.344.4500

info@tropicalforestproducts.com

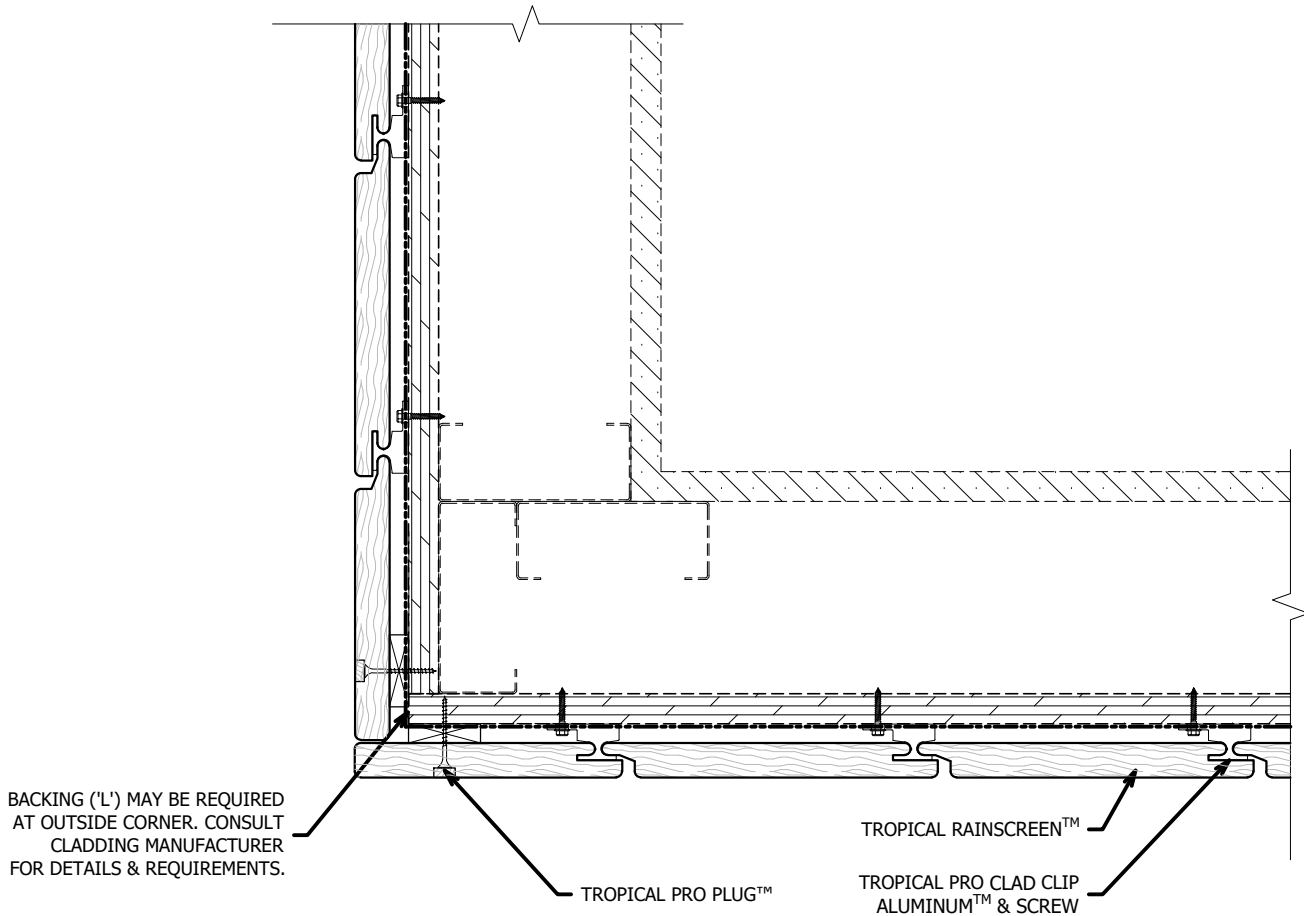
6200 TOMKEN RD, MISSISSAUGA

ON, L5T 1X7. CANADA

Follow us at Instagram: @tropicalforestproducts

TROPICAL

**VERTICAL APPLICATION:
TYPICAL OUTSIDE CORNER CONDITION:
BUTT JOINT
SCALE: 3"=1'-0"**



*MAXIMUM ALLOWABLE SPACING AND DEAD LOAD (WEIGHT OF CLADDING) IS BASED ON THE TOTAL LOAD (DEAD + LIVE) ACTING ON THE ASSEMBLY, BRACKETS AND CONNECTIONS

THESE GUIDE DETAILS ARE PROVIDED FOR INFORMATION ONLY AND OUTLINE GENERAL/TYPICAL REQUIREMENTS FOR THE ATTACHMENT SYSTEM. PROJECT SPECIFIC ENGINEERING WILL ADDRESS STRUCTURAL ATTACHMENT (i.e. FASTENING PATTERN, ETC.). CONTACT KWS FOR FURTHER DETAILS. ALL IMPLIED WARRANTIES INCLUDING MERCHANTABILITY & FITNESS FOR A PARTICULAR PURPOSE ARE EXPRESSLY EXCLUDED.

TROPICALFORESTPRODUCTS.COM

905.672.8000 or Toll Free 855.344.4500

info@tropicalforestproducts.com

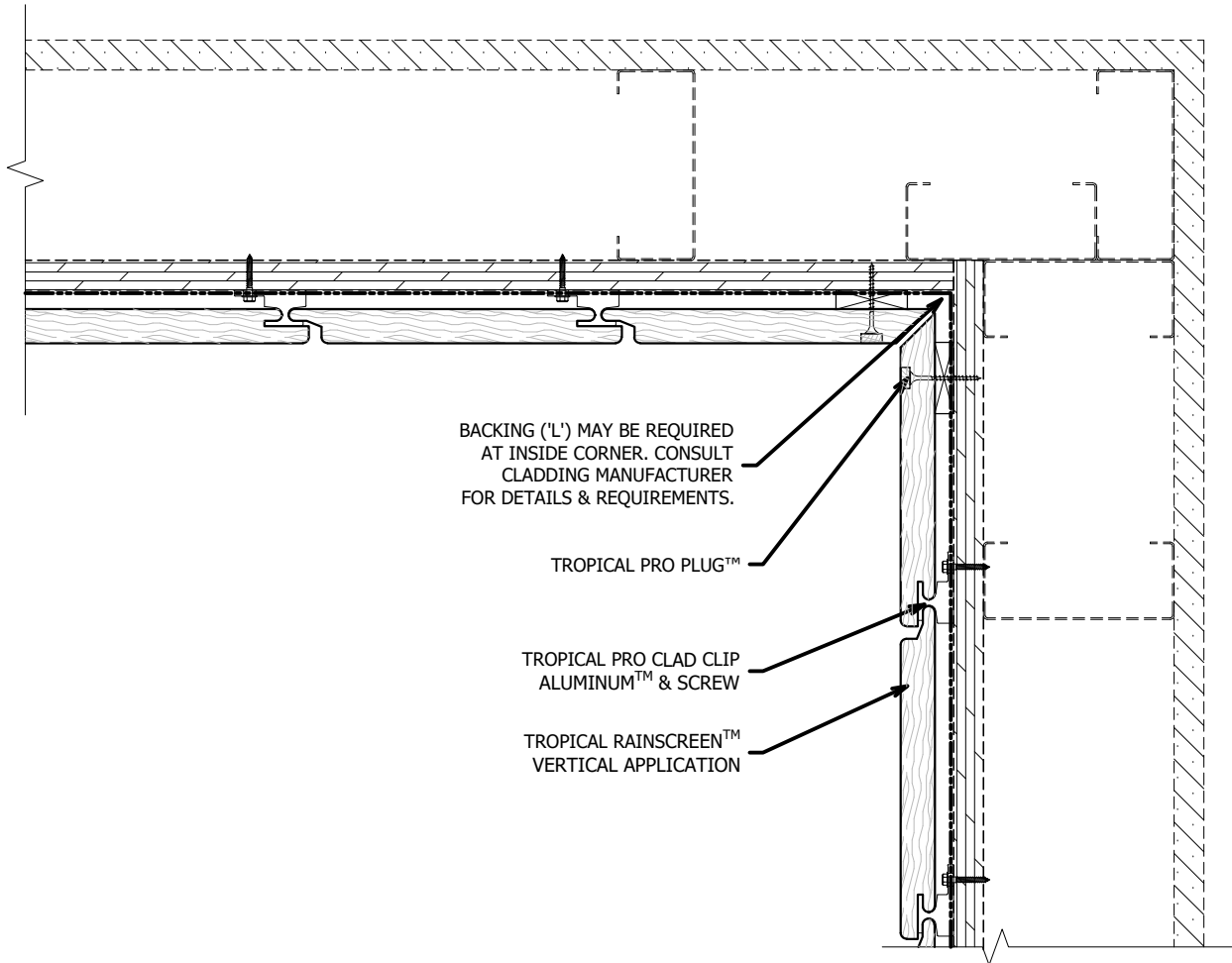
6200 TOMKEN RD, MISSISSAUGA

ON, L5T 1X7. CANADA

Follow us at Instagram: @tropicalforestproducts

TROPICAL

**VERTICAL APPLICATION:
TYPICAL INSIDE CORNER CONDITION: MITER W/ GAP
SCALE: 3"=1'-0"**



*MAXIMUM ALLOWABLE SPACING AND DEAD LOAD (WEIGHT OF CLADDING) IS BASED ON THE TOTAL LOAD (DEAD + LIVE) ACTING ON THE ASSEMBLY, BRACKETS AND CONNECTIONS

THESE GUIDE DETAILS ARE PROVIDED FOR INFORMATION ONLY AND OUTLINE GENERAL/TYPICAL REQUIREMENTS FOR THE ATTACHMENT SYSTEM. PROJECT SPECIFIC ENGINEERING WILL ADDRESS STRUCTURAL ATTACHMENT (i.e. FASTENING PATTERN, ETC.). CONTACT KWS FOR FURTHER DETAILS. ALL IMPLIED WARRANTIES INCLUDING MERCHANTABILITY & FITNESS FOR A PARTICULAR PURPOSE ARE EXPRESSLY EXCLUDED.

TROPICALFORESTPRODUCTS.COM

905.672.8000 or Toll Free 855.344.4500

info@tropicalforestproducts.com

6200 TOMKEN RD, MISSISSAUGA

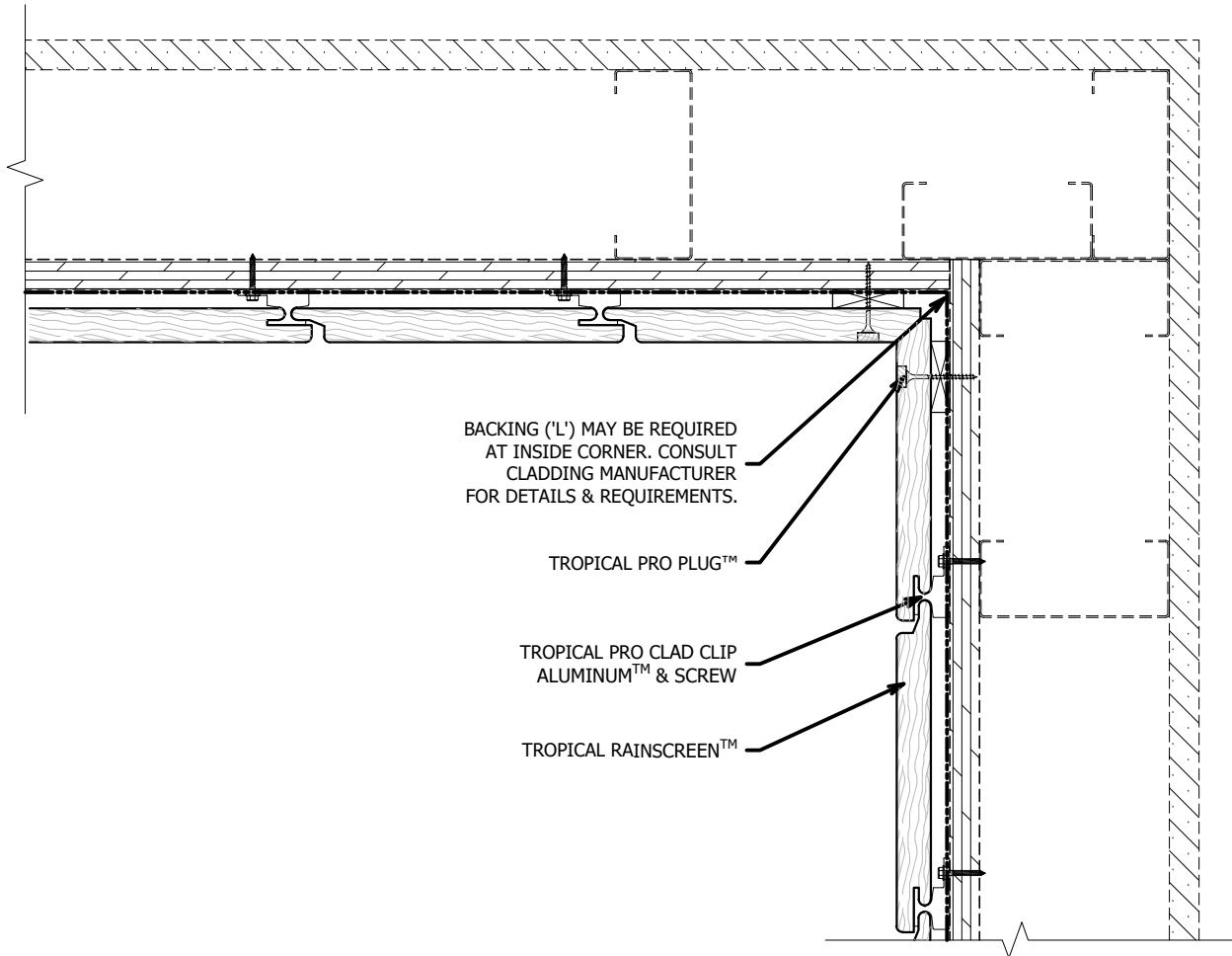
ON, L5T 1X7. CANADA

Follow us at Instagram: @tropicalforestproducts

TROPICAL

PAGE: 49 of 56

**VERTICAL APPLICATION:
TYPICAL INSIDE CORNER CONDITION: MITER
SCALE: 3"=1'-0"**



*MAXIMUM ALLOWABLE SPACING AND DEAD LOAD (WEIGHT OF CLADDING) IS BASED ON THE TOTAL LOAD (DEAD + LIVE) ACTING ON THE ASSEMBLY, BRACKETS AND CONNECTIONS

THESE GUIDE DETAILS ARE PROVIDED FOR INFORMATION ONLY AND OUTLINE GENERAL/TYPICAL REQUIREMENTS FOR THE ATTACHMENT SYSTEM. PROJECT SPECIFIC ENGINEERING WILL ADDRESS STRUCTURAL ATTACHMENT (i.e. FASTENING PATTERN, ETC.). CONTACT KWS FOR FURTHER DETAILS. ALL IMPLIED WARRANTIES INCLUDING MERCHANTABILITY & FITNESS FOR A PARTICULAR PURPOSE ARE EXPRESSLY EXCLUDED.

TROPICALFORESTPRODUCTS.COM

905.672.8000 or Toll Free 855.344.4500

info@tropicalforestproducts.com

6200 TOMKEN RD, MISSISSAUGA

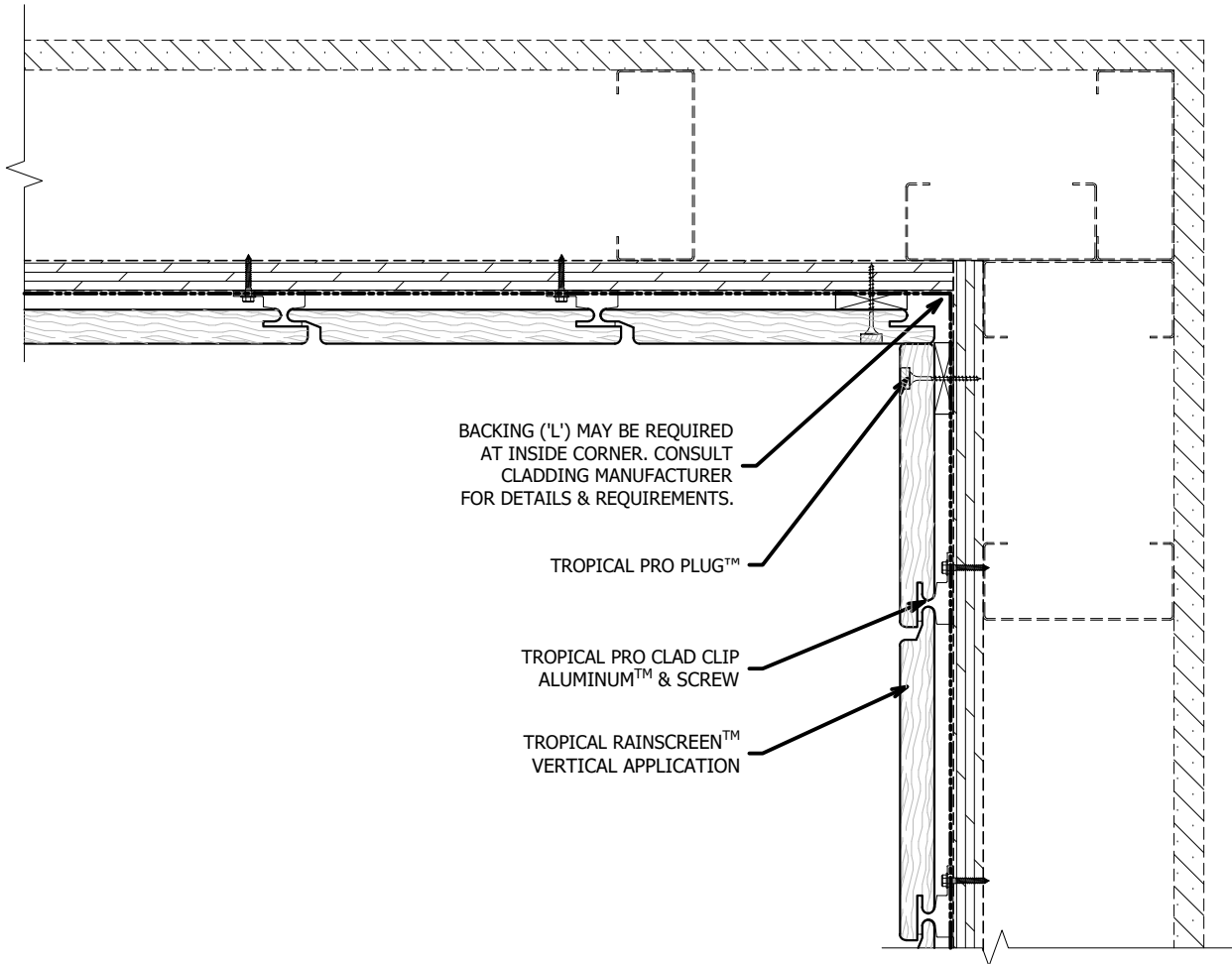
ON, L5T 1X7. CANADA

Follow us at Instagram: @tropicalforestproducts

TROPICAL

PAGE: 50 of 56

**VERTICAL APPLICATION:
TYPICAL INSIDE CORNER CONDITION:
BUTT JOINT
SCALE: 3"=1'-0"**



*MAXIMUM ALLOWABLE SPACING AND DEAD LOAD (WEIGHT OF CLADDING) IS BASED ON THE TOTAL LOAD (DEAD + LIVE) ACTING ON THE ASSEMBLY, BRACKETS AND CONNECTIONS

THESE GUIDE DETAILS ARE PROVIDED FOR INFORMATION ONLY AND OUTLINE GENERAL/TYPICAL REQUIREMENTS FOR THE ATTACHMENT SYSTEM. PROJECT SPECIFIC ENGINEERING WILL ADDRESS STRUCTURAL ATTACHMENT (i.e. FASTENING PATTERN, ETC.). CONTACT KWS FOR FURTHER DETAILS. ALL IMPLIED WARRANTIES INCLUDING MERCHANTABILITY & FITNESS FOR A PARTICULAR PURPOSE ARE EXPRESSLY EXCLUDED.

TROPICALFORESTPRODUCTS.COM

905.672.8000 or Toll Free 855.344.4500

info@tropicalforestproducts.com

6200 TOMKEN RD, MISSISSAUGA

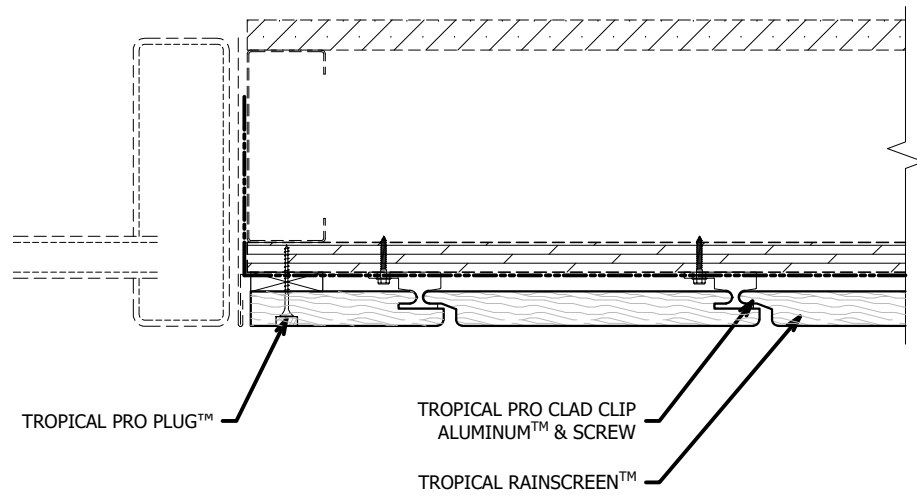
ON, L5T 1X7. CANADA

Follow us at Instagram: @tropicalforestproducts

TROPICAL

PAGE: 51 of 56

**VERTICAL APPLICATION:
TYPICAL JAMB CONDITION
SCALE: 3"=1'-0"**



* FLASHING DETAILS VARY BASED ON WINDOW TYPE,
POSITION (INSET VS FLUSH) AND CLADDING TYPE.

*MAXIMUM ALLOWABLE SPACING AND DEAD LOAD (WEIGHT
OF CLADDING) IS BASED ON THE TOTAL LOAD (DEAD + LIVE)
ACTING ON THE ASSEMBLY, BRACKETS AND CONNECTIONS

THESE GUIDE DETAILS ARE PROVIDED FOR INFORMATION ONLY AND OUTLINE GENERAL/TYPICAL REQUIREMENTS FOR THE ATTACHMENT SYSTEM. PROJECT SPECIFIC ENGINEERING WILL ADDRESS STRUCTURAL
ATTACHMENT (i.e. FASTENING PATTERN, ETC.). CONTACT KWS FOR FURTHER DETAILS. ALL IMPLIED WARRANTIES INCLUDING MERCHANTABILITY & FITNESS FOR A PARTICULAR PURPOSE ARE EXPRESSLY EXCLUDED.

TROPICALFORESTPRODUCTS.COM

905.672.8000 or Toll Free 855.344.4500

info@tropicalforestproducts.com

6200 TOMKEN RD, MISSISSAUGA

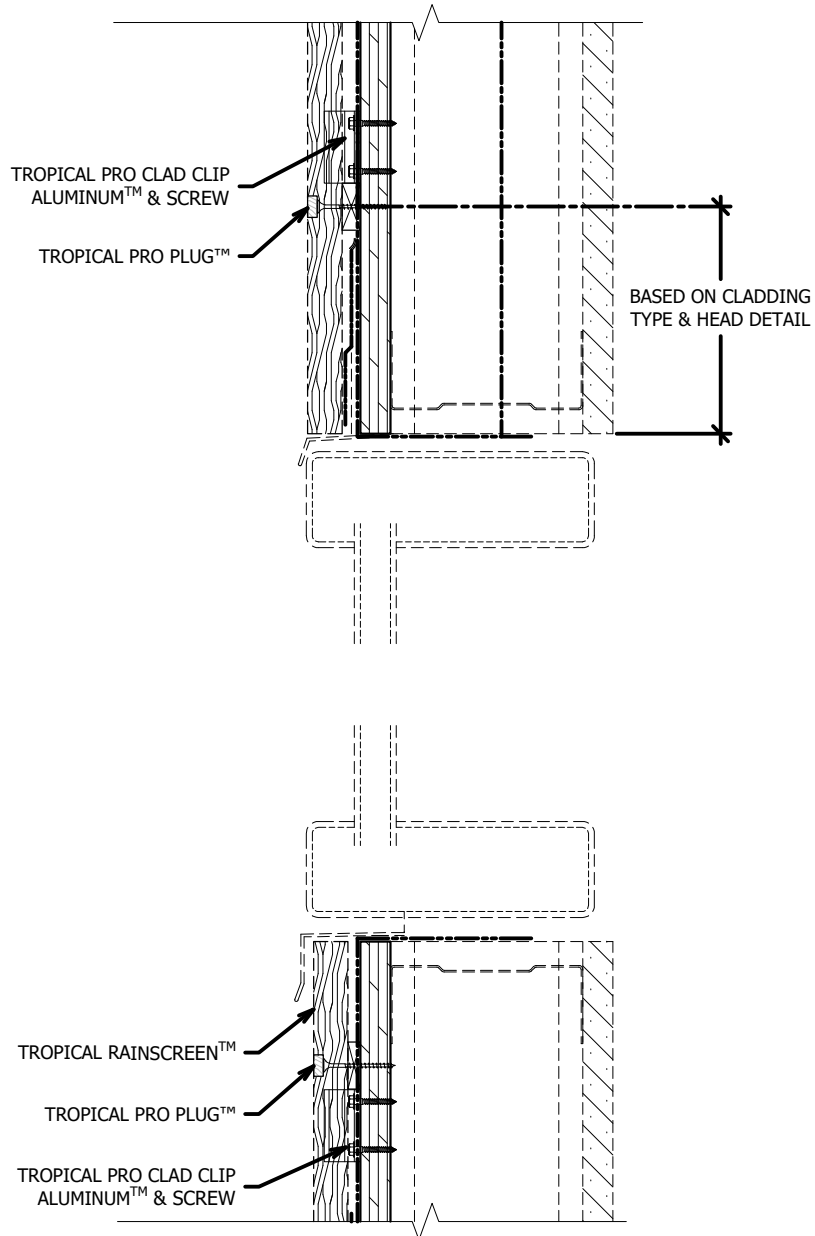
ON, L5T 1X7. CANADA

Follow us at Instagram: @tropicalforestproducts

TROPICAL

PAGE: 52 of 56

**VERTICAL APPLICATION:
TYPICAL HEAD & SILL CONDITION
SCALE: 3"=1'-0"**



* FLASHING DETAILS VARY BASED ON WINDOW TYPE,
POSITION (INSET VS FLUSH) AND CLADDING TYPE.

*MAXIMUM ALLOWABLE SPACING AND DEAD LOAD (WEIGHT OF CLADDING) IS BASED ON THE TOTAL LOAD (DEAD + LIVE) ACTING ON THE ASSEMBLY, BRACKETS AND CONNECTIONS

THESE GUIDE DETAILS ARE PROVIDED FOR INFORMATION ONLY AND OUTLINE GENERAL/TYPICAL REQUIREMENTS FOR THE ATTACHMENT SYSTEM. PROJECT SPECIFIC ENGINEERING WILL ADDRESS STRUCTURAL ATTACHMENT (i.e. FASTENING PATTERN, ETC.). CONTACT KWS FOR FURTHER DETAILS. ALL IMPLIED WARRANTIES INCLUDING MERCHANTABILITY & FITNESS FOR A PARTICULAR PURPOSE ARE EXPRESSLY EXCLUDED.

TROPICALFORESTPRODUCTS.COM

905.672.8000 or Toll Free 855.344.4500

info@tropicalforestproducts.com

6200 TOMKEN RD, MISSISSAUGA

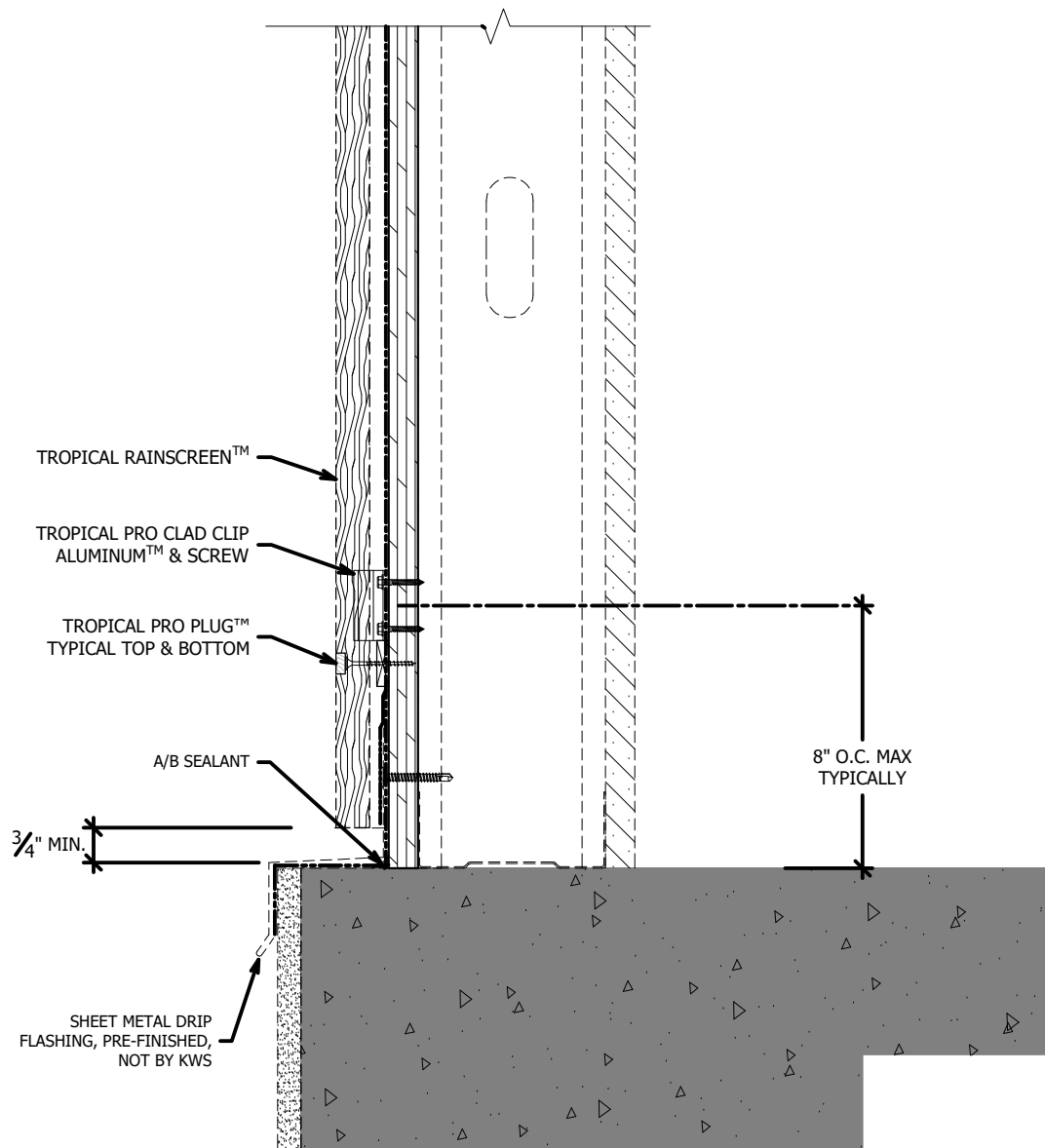
ON, L5T 1X7. CANADA

Follow us at Instagram: @tropicalforestproducts

TROPICAL

PAGE: 53 of 56

**VERTICAL APPLICATION:
TYPICAL BASE OF WALL CONDITION
SCALE: 3"=1'-0"**



* CLEAR & UNRESTRICTED VENTILATION & DRAINAGE
REQUIRED AT BASE OF WALL

*MAXIMUM ALLOWABLE SPACING AND DEAD LOAD (WEIGHT OF CLADDING) IS BASED ON THE TOTAL LOAD (DEAD + LIVE) ACTING ON THE ASSEMBLY, BRACKETS AND CONNECTIONS

THESE GUIDE DETAILS ARE PROVIDED FOR INFORMATION ONLY AND OUTLINE GENERAL/TYPICAL REQUIREMENTS FOR THE ATTACHMENT SYSTEM. PROJECT SPECIFIC ENGINEERING WILL ADDRESS STRUCTURAL ATTACHMENT (i.e. FASTENING PATTERN, ETC.). CONTACT KWS FOR FURTHER DETAILS. ALL IMPLIED WARRANTIES INCLUDING MERCHANTABILITY & FITNESS FOR A PARTICULAR PURPOSE ARE EXPRESSLY EXCLUDED.

TROPICALFORESTPRODUCTS.COM

905.672.8000 or Toll Free 855.344.4500

info@tropicalforestproducts.com

6200 TOMKEN RD, MISSISSAUGA

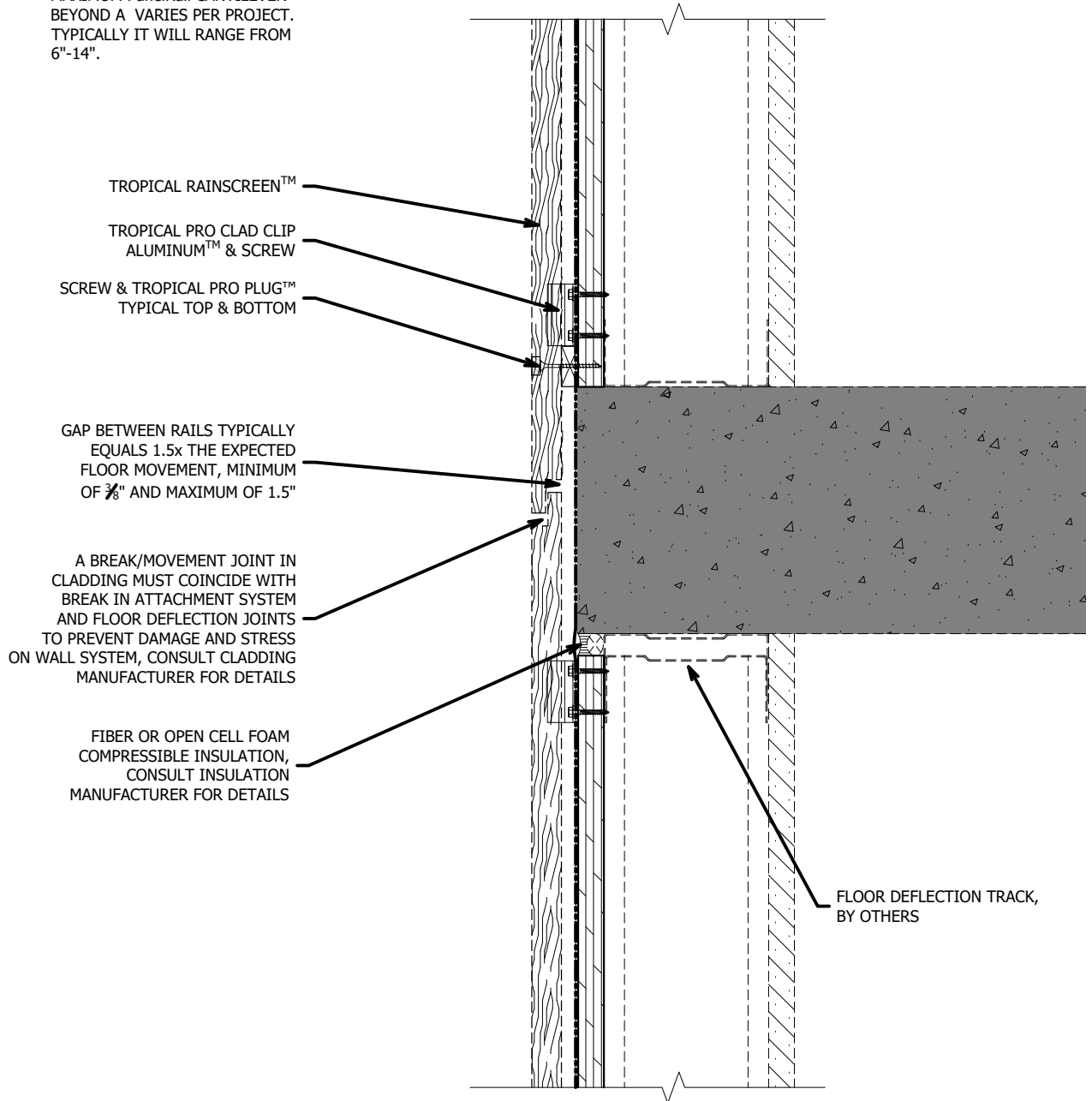
ON, L5T 1X7. CANADA

Follow us at Instagram: @tropicalforestproducts

TROPICAL

**VERTICAL APPLICATION:
TYPICAL FLOOR DEFLECTION JOINT
SCALE: 3"=1'-0"**

NOTE:
MAXIMUM PanelRail CANTILEVER
BEYOND A VARIES PER PROJECT.
TYPICALLY IT WILL RANGE FROM
6"-14".



*MAXIMUM ALLOWABLE SPACING AND DEAD LOAD (WEIGHT OF CLADDING) IS BASED ON THE TOTAL LOAD (DEAD + LIVE) ACTING ON THE ASSEMBLY, BRACKETS AND CONNECTIONS

THESE GUIDE DETAILS ARE PROVIDED FOR INFORMATION ONLY AND OUTLINE GENERAL/TYPICAL REQUIREMENTS FOR THE ATTACHMENT SYSTEM. PROJECT SPECIFIC ENGINEERING WILL ADDRESS STRUCTURAL ATTACHMENT (i.e. FASTENING PATTERN, ETC.). CONTACT KWS FOR FURTHER DETAILS. ALL IMPLIED WARRANTIES INCLUDING MERCHANTABILITY & FITNESS FOR A PARTICULAR PURPOSE ARE EXPRESSLY EXCLUDED.

TROPICALFORESTPRODUCTS.COM

905.672.8000 or Toll Free 855.344.4500

info@tropicalforestproducts.com

6200 TOMKEN RD, MISSISSAUGA

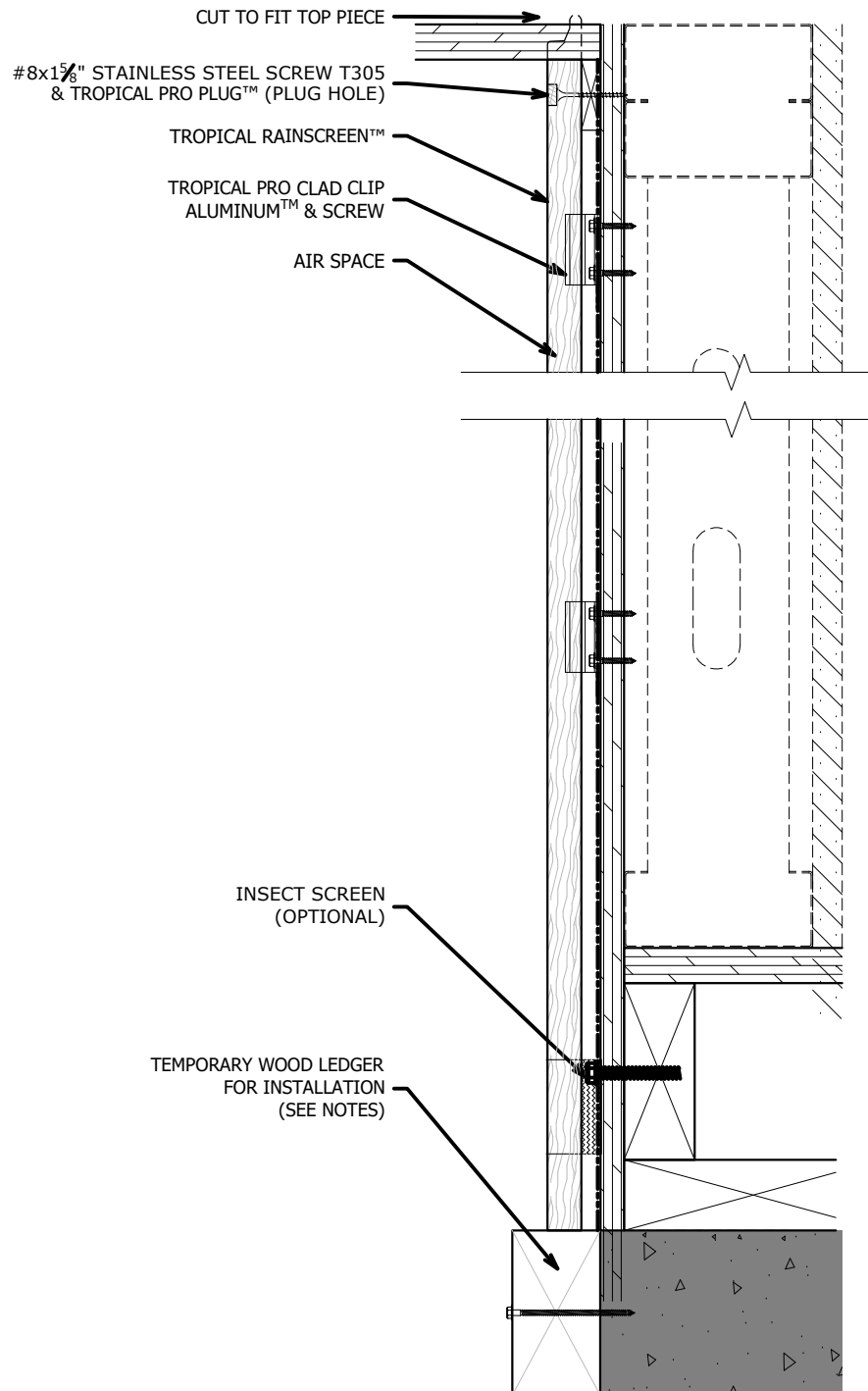
ON, L5T 1X7. CANADA

Follow us at Instagram: @tropicalforestproducts

TROPICAL

PAGE: 55 of 56

**VERTICAL APPLICATION:
TYPICAL BOTTOM LEDGER & SCREW INSTALLATION
SCALE: 3"=1'-0"**



*MAXIMUM ALLOWABLE SPACING AND DEAD LOAD (WEIGHT OF CLADDING) IS BASED ON THE TOTAL LOAD (DEAD + LIVE) ACTING ON THE ASSEMBLY, BRACKETS AND CONNECTIONS

THESE GUIDE DETAILS ARE PROVIDED FOR INFORMATION ONLY AND OUTLINE GENERAL/TYPICAL REQUIREMENTS FOR THE ATTACHMENT SYSTEM. PROJECT SPECIFIC ENGINEERING WILL ADDRESS STRUCTURAL ATTACHMENT (i.e. FASTENING PATTERN, ETC.). CONTACT KWS FOR FURTHER DETAILS. ALL IMPLIED WARRANTIES INCLUDING MERCHANTABILITY & FITNESS FOR A PARTICULAR PURPOSE ARE EXPRESSLY EXCLUDED.

TROPICALFORESTPRODUCTS.COM

905.672.8000 or Toll Free 855.344.4500

info@tropicalforestproducts.com

6200 TOMKEN RD, MISSISSAUGA

ON, L5T 1X7. CANADA

Follow us at Instagram: @tropicalforestproducts

TROPICAL