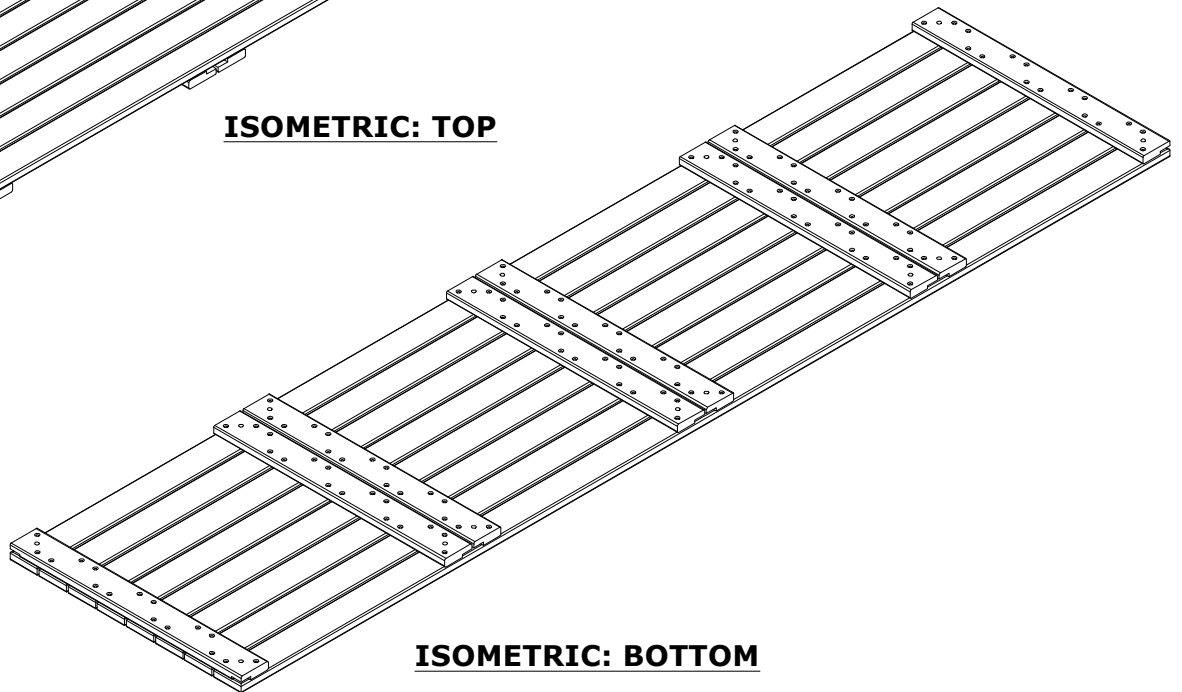


**ISOMETRIC: TOP**



**ISOMETRIC: BOTTOM**

- 1) REGARDLESS OF WOOD SPECIES, ALL WOOD MATERIALS USED IN THE PRODUCTION OF TILES MUST BE PREMIUM SELECT ARCHITECTURAL GRADE AS PER TFP GRADING RULES INCLUDING ALLOWABLE SLOPE OF GRAIN.
- 2) ALL SLATS USED IN THE PRODUCTION OF BLACK LABEL DECK TILES MUST BE FREE FROM REVERSE GRAIN.
- 3) ALL WOOD MATERIALS USED IN THE PRODUCTION OF BLACK LABEL DECK TILES MUST BE KILN DRIED TO A MOISTURE CONTENT BETWEEN 12 AND 14%.
- 4) ALL SCREWS USED IN THE PRODUCTION OF WOOD DECK TILES MUST BE STAINLESS STEEL 305 OR 316 GRADE.
- 5) ALL BUTT ENDS OF DECK SLATS MUST HAVE A RADIUS AS PER PRODUCTION DRAWINGS.
- 6) ALL BUTT ENDS OF DECK SLATS MUST BE END SEALED WITH A WAX SOLUTION. THERE MUST BE NO END WAX ON THE FACE OF DECK SLATS.
- 7) ALL DECK TILES MUST BE PACKAGED AS PER TROPICAL FOREST PACKAGING SPECIFICATIONS
- 8) ALL DECK TILES MUST BE MARKED BY INK STAMP OR STICKER 'KILN DRIED / PRODUCT OF BRAZIL'

DT2496

Deck Tile 1.5 Thick 24 Wide x 96 Long (net 23 13/16 x 95 13/16)

Sheet#: 1  
 REV# 3  
 ISSUE DATE: 7/26/2024  
 TFP3261005.idw

**TROPICALFORESTPRODUCTS.COM**

905.672.8000 or Toll Free 855.344.4500

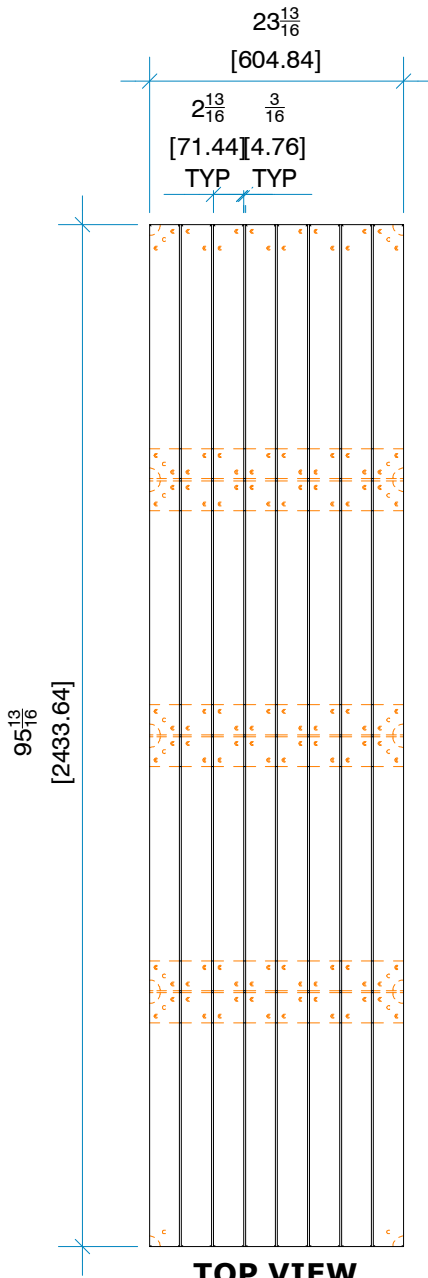
info@tropicalforestproducts.com

6200 TOMKEN RD, MISSISSAUGA

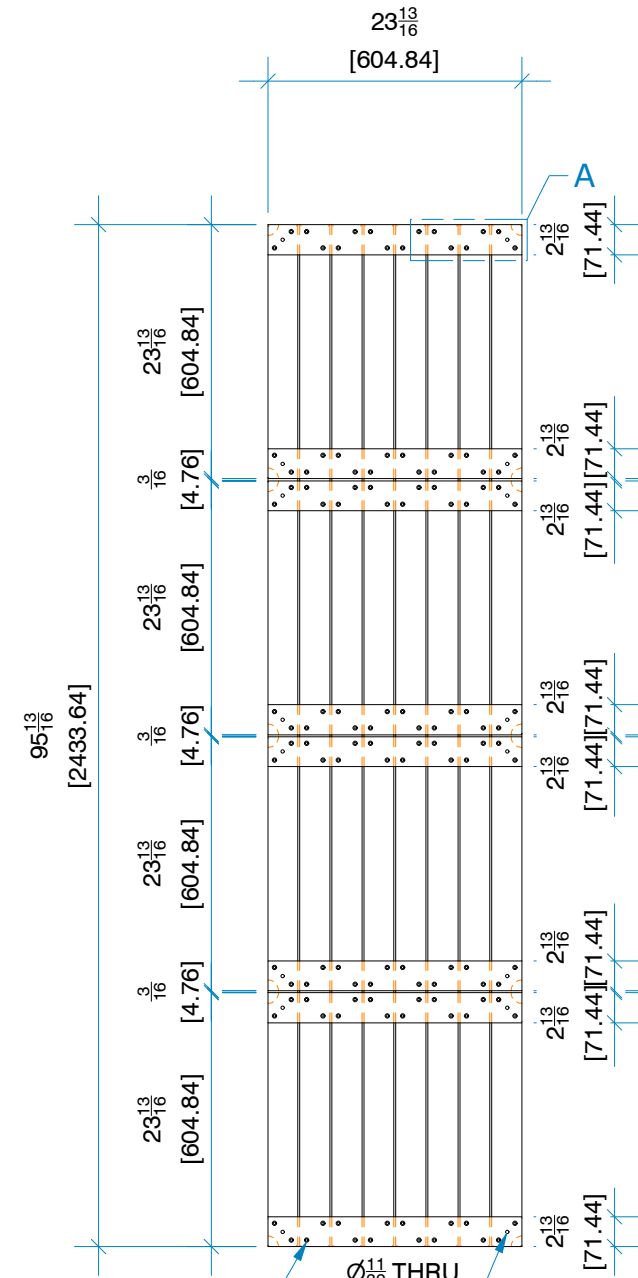
ON, L5T 1X7. CANADA

Follow us at Instagram: @tropicalforestproducts

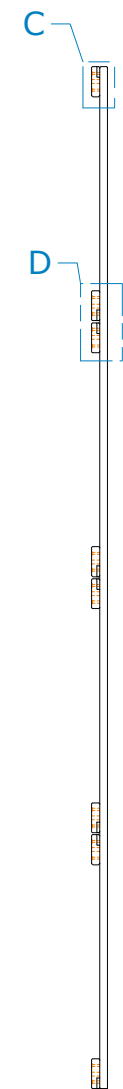
**TROPICAL**



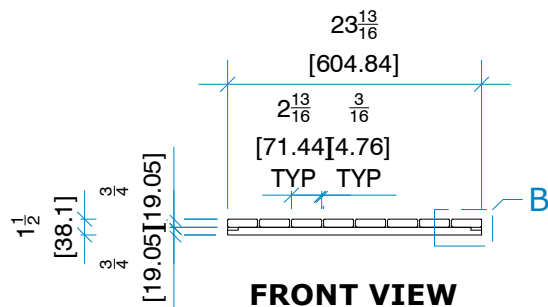
**TOP VIEW**



**BOTTOM VIEW**



**SIDE VIEW**



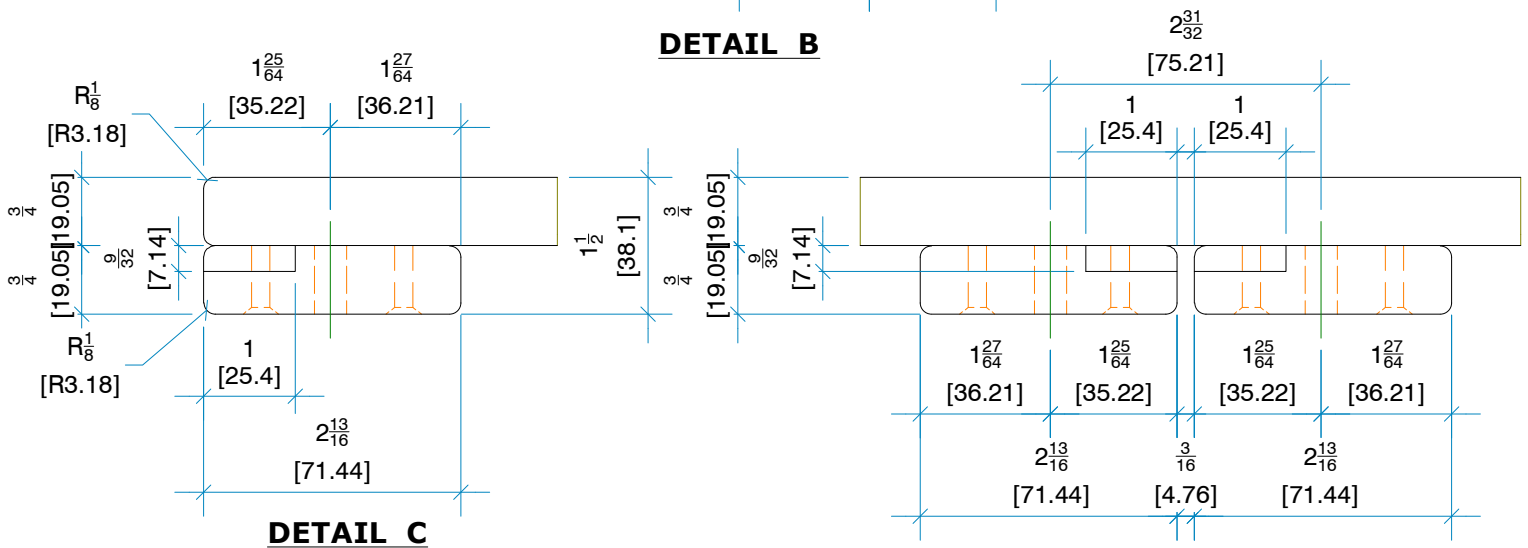
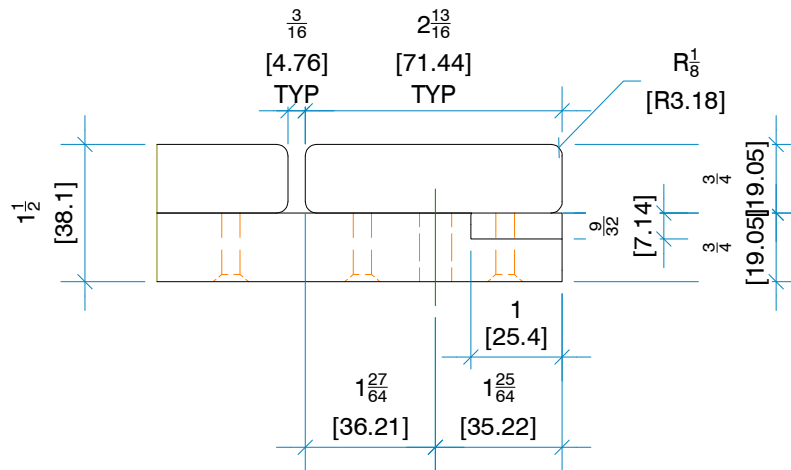
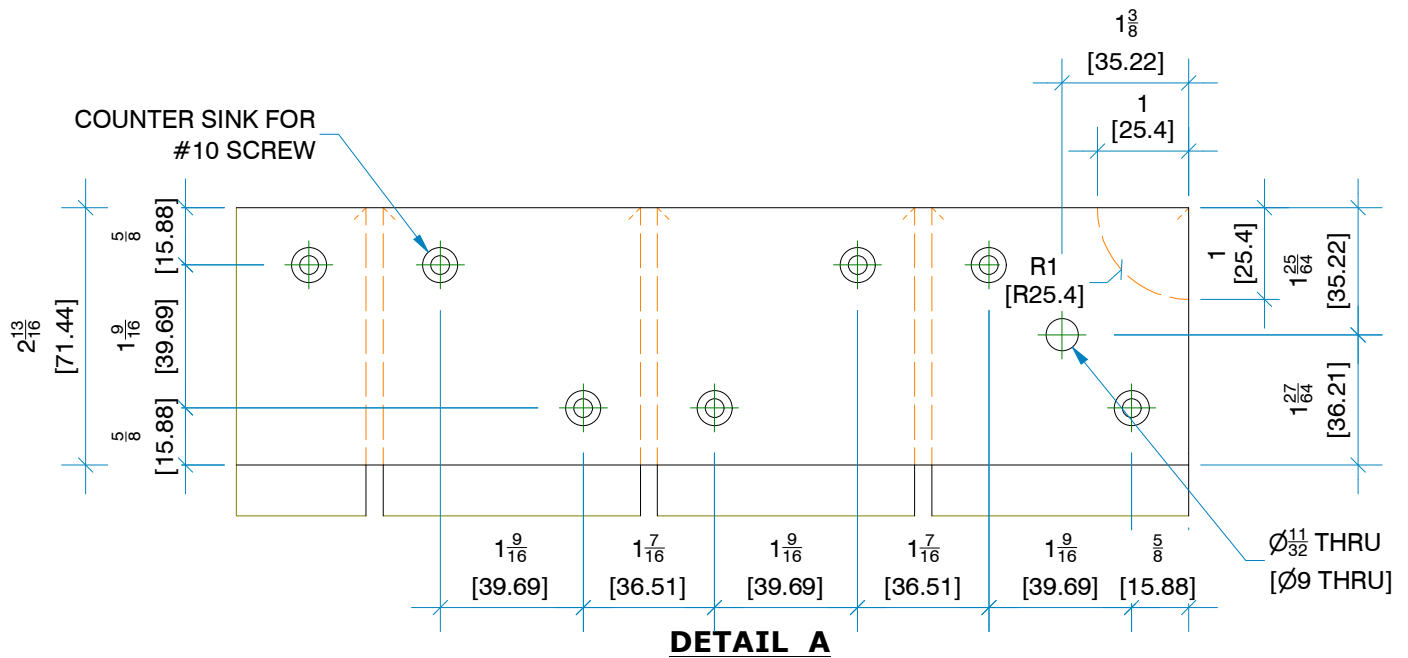
**FRONT VIEW**

DT2496  
Deck Tile 1.5 Thick 24 Wide x 96 Long (net 23 13/16 x 95 13/16)

Sheet#: 2  
REV# 3  
ISSUE DATE: 7/26/2024  
TFP3261005.idw

TROPICALFORESTPRODUCTS.COM  
905.672.8000 or Toll Free 855.344.4500  
info@tropicalforestproducts.com  
6200 TOMKEN RD, MISSISSAUGA  
ON, L5T 1X7. CANADA  
Follow us at Instagram: @tropicalforestproducts

**TROPICAL**



DT2496  
Deck Tile 1.5 Thick 24 Wide x 96 Long (net 23 13/16 x 95 13/16)

Sheet#: 3  
REV# 3  
ISSUE DATE: 7/26/2024  
TFP3261005.idw

TROPICALFORESTPRODUCTS.COM  
905.672.8000 or Toll Free 855.344.4500  
info@tropicalforestproducts.com  
6200 TOMKEN RD, MISSISSAUGA  
ON, L5T 1X7, CANADA  
Follow us at Instagram: @tropicalforestproducts

**TROPICAL**